



# Illustrated Parts List

## Model Series

# 12D100

TYPE NUMBERS  
0001 through 0940.

### TABLE OF CONTENTS

<b>Blower Housing/Shrouds</b> .....	7
<b>Camshaft</b> .....	2
<b>Carburetor</b> .....	5
<b>Controls</b> .....	6
<b>Crankcase Cover</b> .....	3
<b>Crankshaft</b> .....	2
<b>Cylinder</b> .....	2
<b>Cylinder Head</b> .....	4
<b>Electric Starter</b> .....	8
<b>Exhaust System</b> .....	7
<b>Flywheel</b> .....	7
<b>Fuel Supply</b> .....	5
<b>Governor Spring</b> .....	6
<b>Ignition</b> .....	8
<b>Kits/Gaskets - Carburetor</b> .....	5
<b>Kits/Gaskets - Engine</b> .....	2
<b>Kits/Gaskets - Valves</b> .....	4
<b>Lubrication</b> .....	3
<b>Piston Group</b> .....	2
<b>Rewind Starter</b> .....	6

Not for reproduction



PRINTED IN U.S.A.

COPYRIGHT by BRIGGS & STRATTON CORPORATION  
All rights reserved. No part of this material may be reproduced or transmitted, in any form or by any means, electronic or mechanical, including photocopying, recording or by any information storage and retrieval system, without permission in writing from Briggs & Stratton Corporation.

# 12D100

**1319 WARNING LABEL**

**REQUIRED** when replacing parts with warning labels affixed.

**1319A WARNING LABEL**

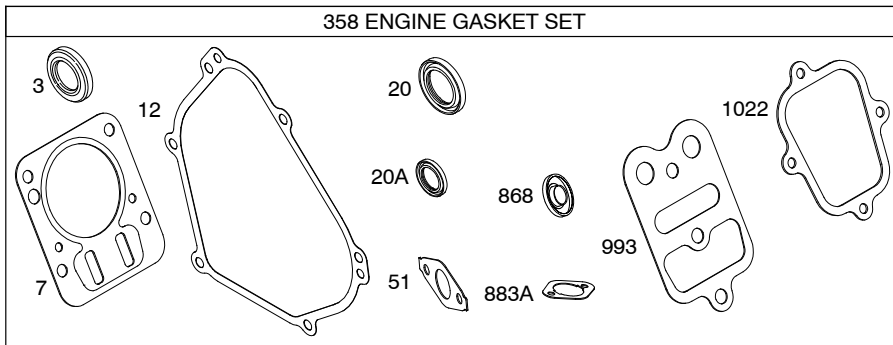
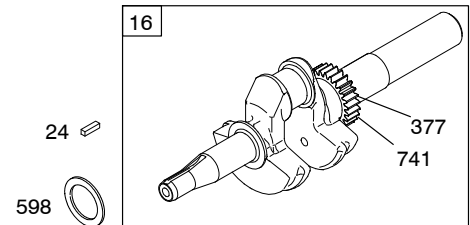
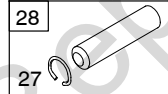
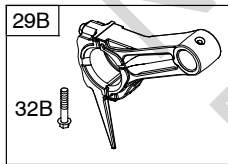
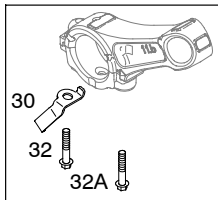
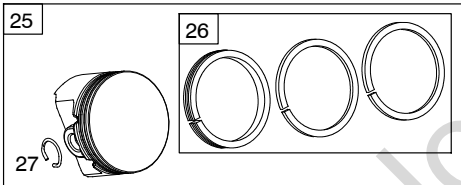
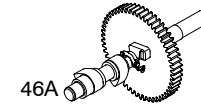
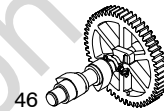
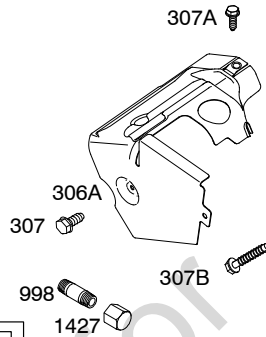
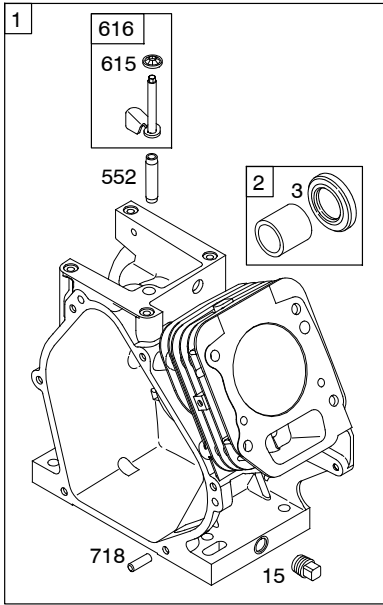
**REQUIRED** when replacing parts with warning labels affixed.

**1330 REPAIR MANUAL**

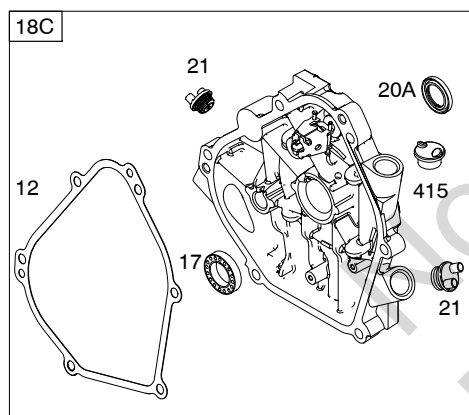
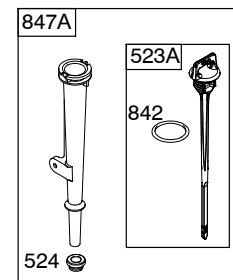
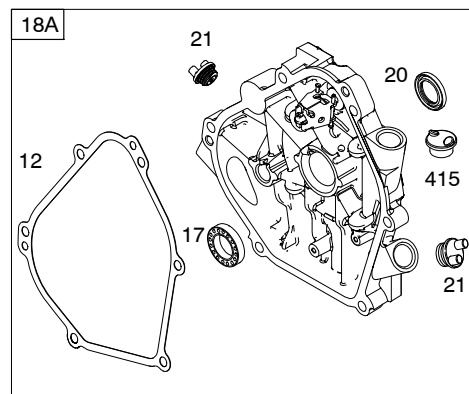
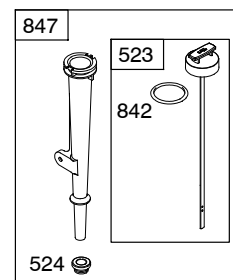
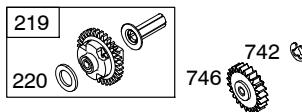
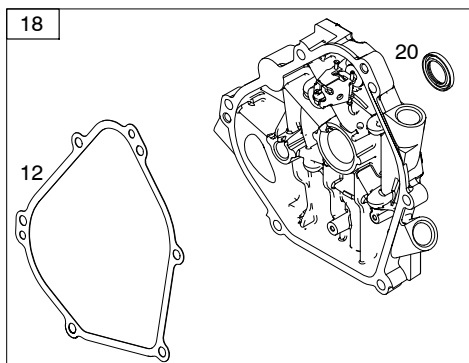
**1058 OPERATOR'S MANUAL**

**1036 EMISSIONS LABEL**

**1019 LABEL KIT**

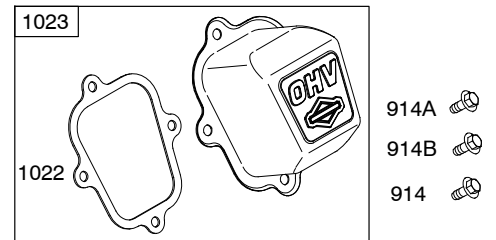
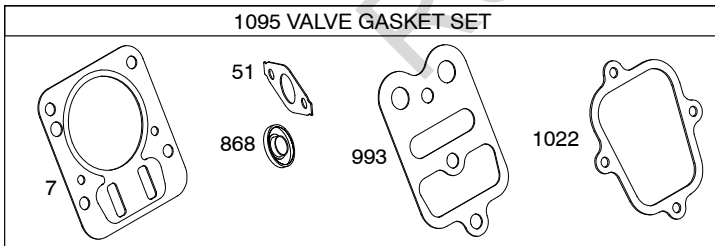
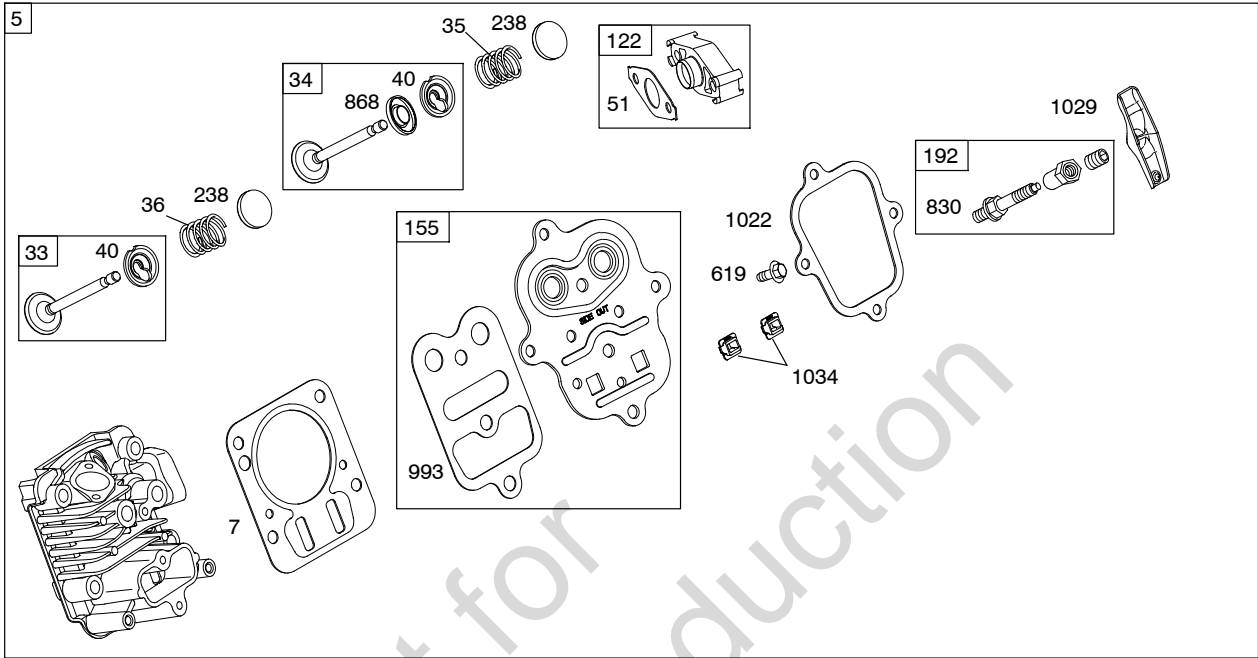
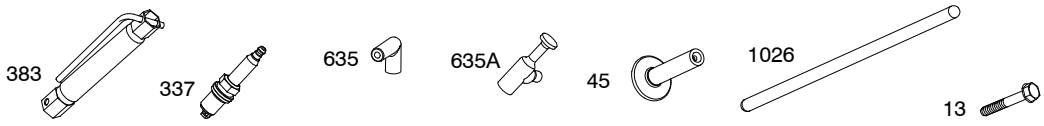


**3399-2** Illustrations cover a range of engines. Parts shown without corresponding text may not be used on your specific engine. Assemblies include all parts shown in frames. **08/06/2014**

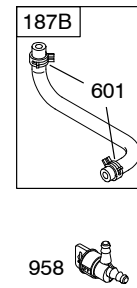
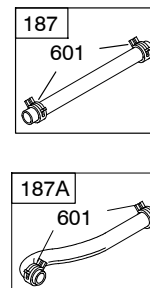
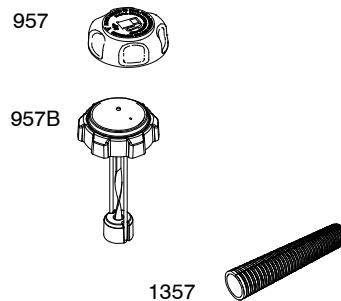
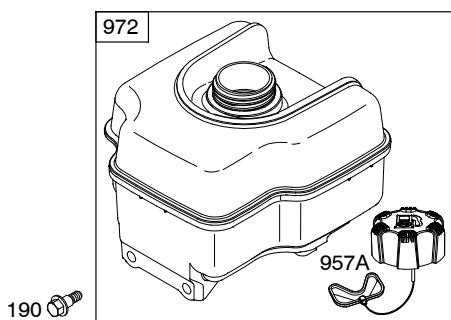
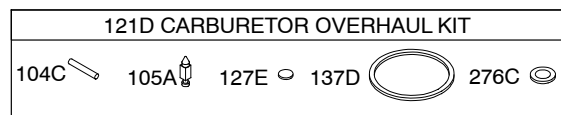
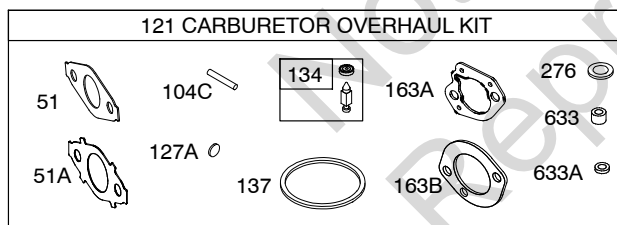
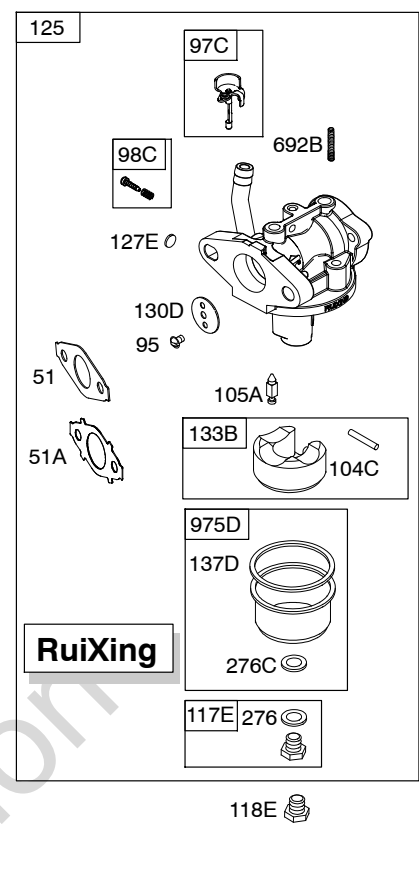
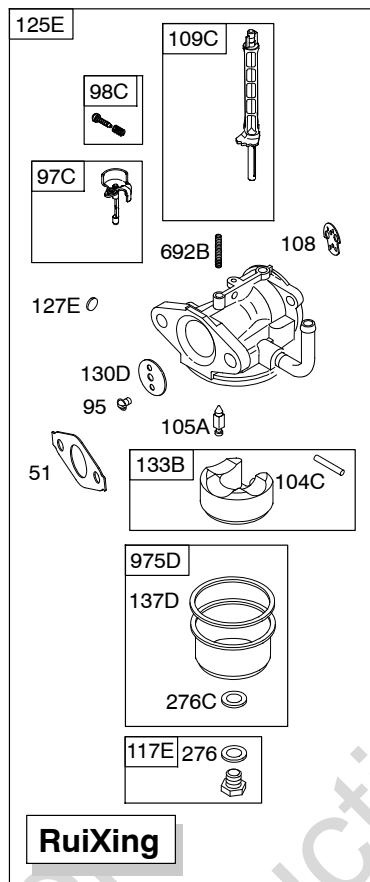
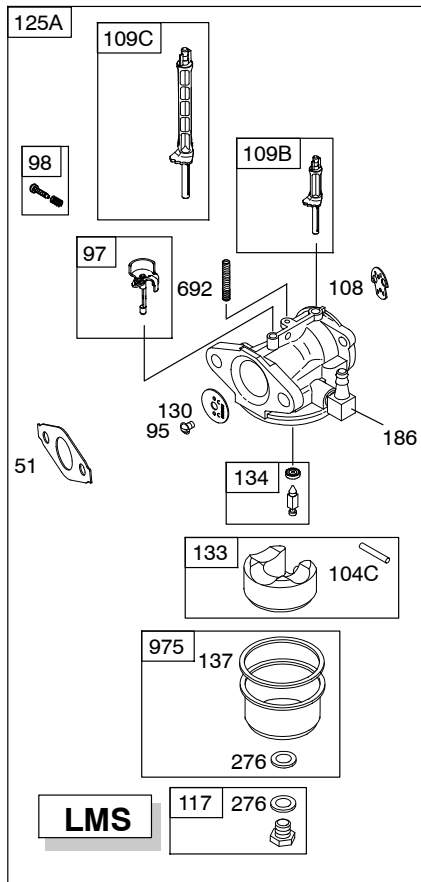


Not for  
Reproduction

# 12D100

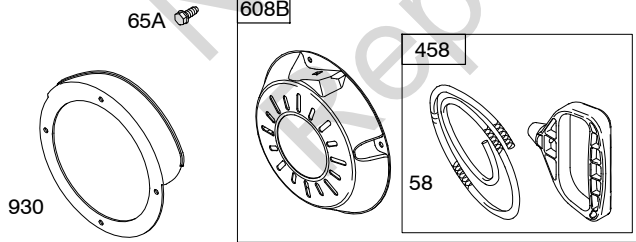
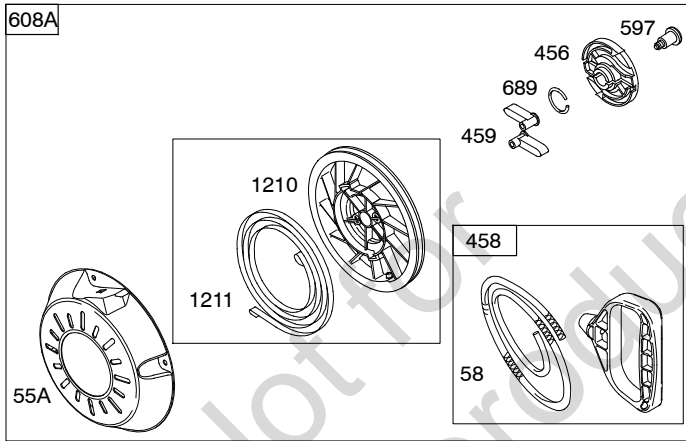
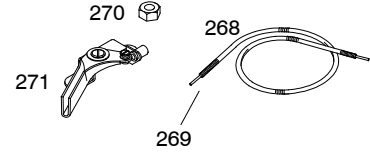
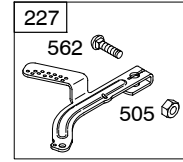
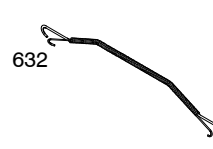
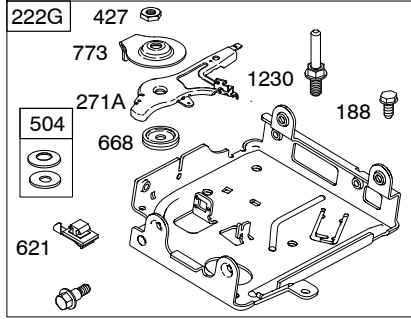
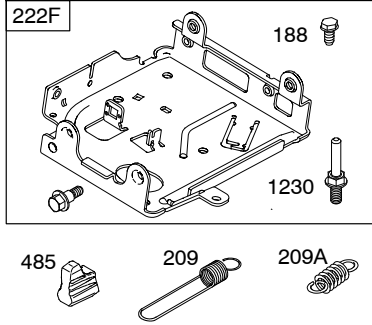


Illustrations cover a range of engines. Parts shown without corresponding text may not be used on your specific engine.  
 3399-4 Assemblies include all parts shown in frames. 08/06/2014

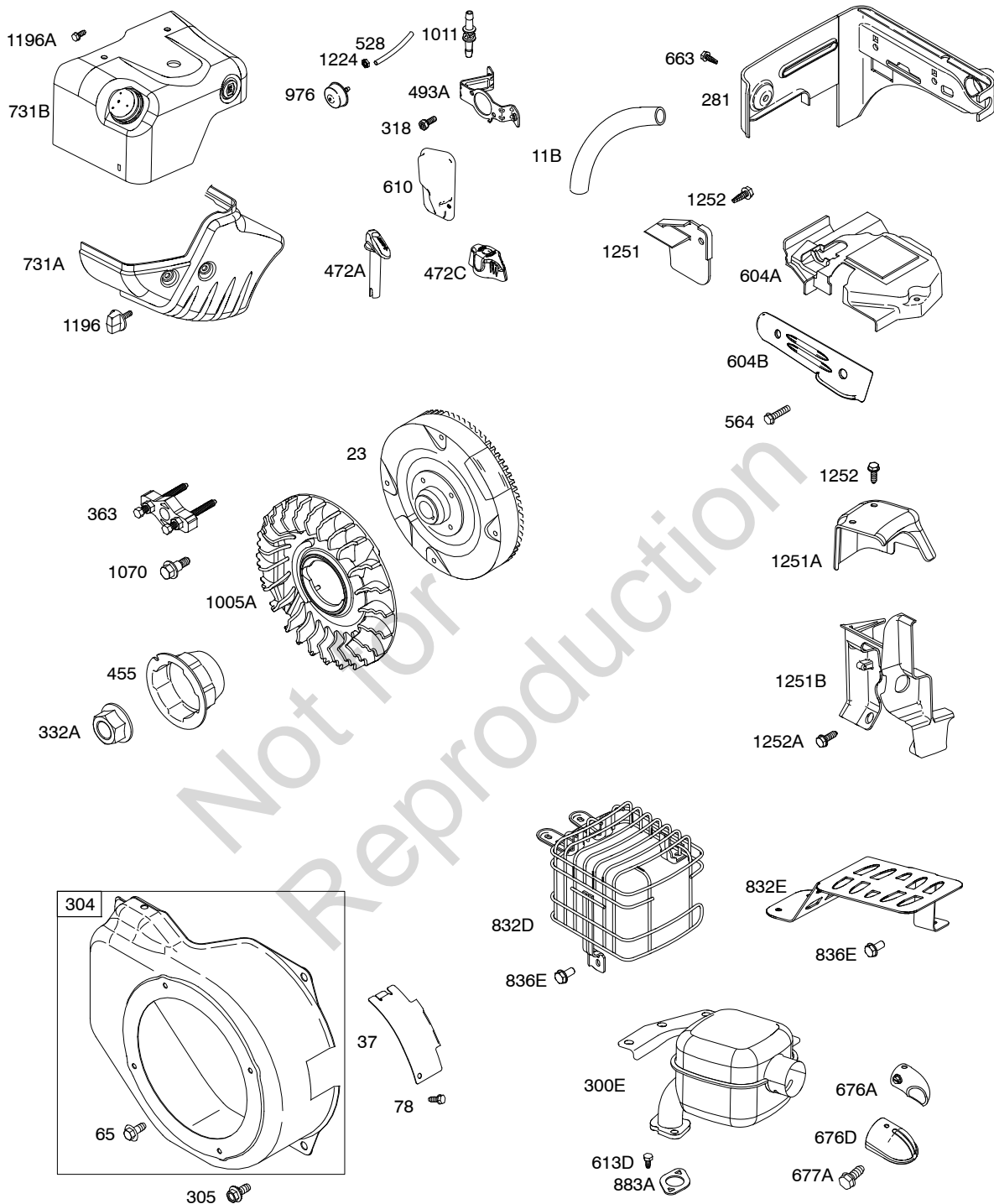


Illustrations cover a range of engines. Parts shown without corresponding text may not be used on your specific engine.  
 3399-5 Assemblies include all parts shown in frames. 08/06/2014

# 12D100

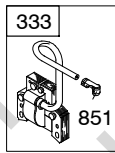
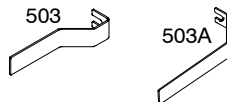
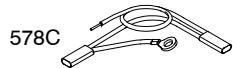
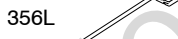
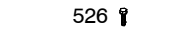
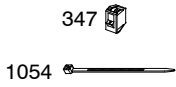
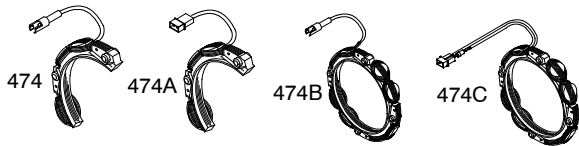
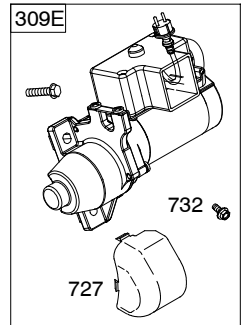
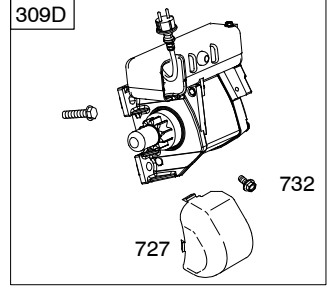
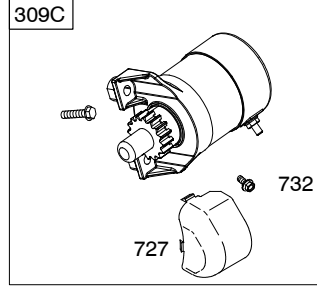
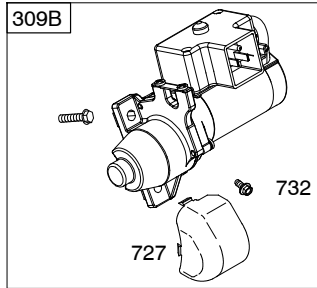
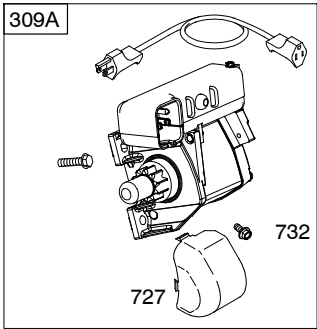


Illustrations cover a range of engines. Parts shown without corresponding text may not be used on your specific engine.  
3399-6 Assemblies include all parts shown in frames. 08/06/2014



Not for Reproduction

# 12D100



Illustrations cover a range of engines. Parts shown without corresponding text may not be used on your specific engine.  
 3399-8 Assemblies include all parts shown in frames. 08/06/2014



# 12D100

REF. NO.	PART NO.	DESCRIPTION	REF. NO.	PART NO.	DESCRIPTION	REF. NO.	PART NO.	DESCRIPTION
1	699510	Cylinder Assembly	18	699804	Cover-Crankcase		798882	Flywheel
2	796961	Kit-Bushing/Seal (Magneto Side)			Used on Type No(s). 0001, 0002, 0005, 0007, 0008, 0009, 0011, 0017, 0019, 0100, 0112, 0113, 0118, 0119, 0120, 0121, 0122, 0124, 0125, 0126, 0127, 0128, 0130, 0137, 0141, 0142, 0143, 0145, 0146, 0147, 0148, 0149, 0150, 0151, 0155, 0158, 0159, 0163, 0164, 0166, 0167, 0168, 0173, 0175, 0177, 0178, 0940.		(Used After Code Date 10043000). Used on Type No(s). 0008, 0009, 0017, 0018, 0019, 0036, 0100, 0117, 0118, 0124, 0126, 0130, 0131, 0132, 0133, 0134, 0135, 0138, 0141, 0142, 0143, 0146.	
3	299819s	Seal-Oil (Magneto Side)						
5	797439	Head-Cylinder (Metric)						
7	698210	Gasket-Cylinder Head						
11B	695745	Tube-Breather						
12	699485	Gasket-Crankcase						
13	699482	Screw (Cylinder Head)						
15	691686	Plug-Oil Drain						699516 Flywheel (Used Before Code Date 10050100). Used on Type No(s). 0008, 0009, 0017, 0018, 0019, 0036, 0100, 0117, 0118, 0124, 0126, 0130, 0131, 0132, 0133, 0134, 0135, 0138, 0141, 0142, 0143, 0146.
16	797070	Crankshaft						
		----- Note ----- 797074 Crankshaft Used on Type No(s). 0111. 797072 Crankshaft Used on Type No(s). 0036, 0133, 0134, 0157, 0160, 0170. 797077 Crankshaft Used on Type No(s). 0008, 0139, 0140, 0152, 0153, 0154, 0171, 0172, 0174, 0940. 799047 Crankshaft Used on Type No(s). 0003, 0135, 0136, 0162. 797075 Crankshaft Used on Type No(s). 0009, 0019. 593495 Crankshaft Used on Type No(s). 0001, 0002, 0011, 0175, 0178. 593496 Crankshaft Used on Type No(s). 0010.	18A	699672	Cover-Crankcase Used on Type No(s). 0036, 0132, 0133, 0134, 0138, 0157, 0160, 0161, 0170. ----- Note ----- 699696 Cover- Crankcase Used on Type No(s). 0003, 0010, 0131, 0135, 0136, 0139, 0140, 0152, 0153, 0154, 0162, 0171, 0172, 0174.			
			18C	699677	Cover-Crankcase Used on Type No(s). 0018, 0110, 0111, 0114, 0115, 0116, 0117.			
			20	692550	Seal-Oil (PTO Side)			
			20A	691952	Seal-Oil (PTO Side) (Auxiliary Drive)			
			21	281658s	Cap-Oil Fill			
			22	799318	Screw (Crankcase Cover/Sump)			
			23	699516	Flywheel			
					----- Note ----- 798882 Flywheel Used on Type No(s). 0001, 0002, 0003, 0010, 0011, 0149, 0151, 0153, 0154, 0159, 0161, 0162, 0163, 0168, 0172, 0175, 0178.			
						24	796335	Key-Flywheel
						25	799063	Piston Assembly (Standard) ----- Note ----- 799064 Piston Assembly (.020" Oversize)
						26	791969	Ring Set (Standard) (Used After Code Date 05060600). ----- Note ----- 499631 Ring Set (Standard) (Used Before Code Date 05060700). 791324 Ring Set (.020" Oversize) (Used After Code Date 05060600). 692786 Ring Set (.020" Oversize) (Used Before Code Date 05060700).
						27	691866	Lock-Piston Pin
						28	499423	Pin-Piston
						29B	798813	Rod-Connecting
						30	791584	Dipper-Connecting Rod
						32	691664	Screw (Connecting Rod)
17	798538	Bearing-Ball						

Illustrations cover a range of engines. Parts shown without corresponding text may not be used on your specific engine.  
3399-9 Assemblies include all parts shown in frames. 08/06/2014

# 12D100

REF. NO.	PART NO.	DESCRIPTION	REF. NO.	PART NO.	DESCRIPTION	REF. NO.	PART NO.	DESCRIPTION
32A	695759	Screw (Connecting Rod)	122	795643	Spacer-Carburetor (Black)			798917 Carburetor (Used Before Code Date 09080300).
32B	791784	Screw (Connecting Rod)	125	593357	Carburetor (Used After Code Date 10043000).			Used on Type No(s). 0133.
33	499642	Valve-Exhaust				127A	691739	Plug-Welch
34	795443	Valve-Intake	125A	794587	Carburetor (Used Before Code Date 10050100).	127E	797633	Plug-Welch
35	691304	Spring-Valve (Intake)			----- Note -----	130	691181	Valve-Throttle
36	691304	Spring-Valve (Exhaust)			794587 Carburetor (Used After Code Date 09110900 and Before Code Date 10050100).	130D	797630	Valve-Throttle
37	699661	Guard-Flywheel			Used on Type No(s). 0133.	133	398187	Float-Carburetor
40	692194	Retainer-Valve			794587 Carburetor (Used After Code Date 09081900 and Before Code Date 09082400).	133B	797136	Float-Carburetor
45	690977	Tappet-Valve			Used on Type No(s). 0133.	134	398188	Kit-Needle/Seat
46	693404	Camshaft			794587 Carburetor (Used After Code Date 09081200 and Before Code Date 09081400).	137	693981	Gasket-Float Bowl
46A	695285	Camshaft			Used on Type No(s). 0133.	137D	798932	Gasket-Float Bowl
		----- Note -----			794587 Carburetor (Used After Code Date 09081200 and Before Code Date 09081400).	155	797442	Plate-Cylinder Head (Metric) (Used After Code Date 09061700).
		694831 Crankshaft Used on Type No(s). 0018.			Used on Type No(s). 0133.			----- Note -----
51	692555	Gasket-Intake			794587 Carburetor (Used After Code Date 09081200 and Before Code Date 09081400).			698214 Plate-Cylinder Head (SAE) (Used Before Code Date 09061800).
51A	791718	Gasket-Intake			Used on Type No(s). 0133.	163A	792870	Gasket-Air Cleaner (High Mount Air Cleaner)
55A	696710	Housing-Rewind Starter			794587 Carburetor (Used After Code Date 09080200 and Before Code Date 09080500).	163B	696024	Gasket-Air Cleaner (Flat Panel Air Cleaner)
58	693389	Rope-Starter (Cut To Required Length)			Used on Type No(s). 0133.	186	692317	Connector-Hose
65	699228	Screw (Rewind Starter)			794587 Carburetor (Used After Code Date 09080200 and Before Code Date 09080500).	187	791766	Line-Fuel (Cut to Required Length)
65A	699851	Screw (Rewind Starter)			Used on Type No(s). 0133.			
78	699205	Screw (Flywheel Guard)	125E	798917	Carburetor (Used After Code Date 09082300 and Before Code Date 09111000).			
95	691636	Screw (Throttle Valve)			----- Note -----			
97	690024	Shaft-Throttle			798917 Carburetor (Used After Code Date 09082300 and Before Code Date 09111000).			
97C	797628	Shaft-Throttle			Used on Type No(s). 0133.			
98	398185	Kit-Idle Speed			798917 Carburetor (Used After Code Date 09080400 and Before Code Date 09081300).			
98C	797156	Kit-Idle Speed			Used on Type No(s). 0133.			
104C	797622	Pin-Float Hinge			798917 Carburetor (Used After Code Date 09080400 and Before Code Date 09081300).			
105A	797139	Valve-Float Needle			Used on Type No(s). 0133.			
108	796993	Valve-Choke			798917 Carburetor (Used After Code Date 09081300 and Before Code Date 09082000).			
109C	791954	Shaft-Choke			Used on Type No(s). 0133.			
109B	695729	Shaft-Choke			798917 Carburetor (Used After Code Date 09081300 and Before Code Date 09082000).			
117	690048	Jet-Main (Standard)			Used on Type No(s). 0133.			
117E	798930	Jet-Main (Standard)			798917 Carburetor (Used After Code Date 09081300 and Before Code Date 09082000).			
118	498977	Jet-Main (High Altitude)			Used on Type No(s). 0133.			
118E	798661	Jet-Main (High Altitude)			798917 Carburetor (Used After Code Date 09080400 and Before Code Date 09081300).			
121	792006	Kit-Carburetor Overhaul (High Altitude)			Used on Type No(s). 0133.			
121D	797634	Kit-Carburetor Overhaul						

Illustrations cover a range of engines. Parts shown without corresponding text may not be used on your specific engine.  
3399-10 Assemblies include all parts shown in frames. 08/06/2014

REF. NO.	PART NO.	DESCRIPTION	REF. NO.	PART NO.	DESCRIPTION	REF. NO.	PART NO.	DESCRIPTION	
187A	798908	Line-Fuel (Molded) (Used After Code Date 10043000). ----- <b>Note</b> ----- <b>791867</b> Line-Fuel (Molded) (Used Before Code Date 10050100). <b>798908</b> Line-Fuel (Molded) (Used After Code Date 10043000). Used on Type No(s). 0133. <b>791867</b> Line-Fuel (Molded) (Used After Code Date 09110900 and Before Code Date 10050100). Used on Type No(s). 0133. <b>798908</b> Line-Fuel (Molded) (Used After Code Date 09082300 and Before Code Date 09111000). Used on Type No(s). 0133. <b>791867</b> Line-Fuel (Molded) (Used After Code Date 09081900 and Before Code Date 09082400). Used on Type No(s). 0133. <b>798908</b> Line-Fuel (Molded) (Used After Code Date 09081300 and Before Code Date 09082000). Used on Type No(s). 0133. <b>791867</b> Line-Fuel (Molded) (Used After Code Date 09081200 and Before Code Date 09081400). Used on Type No(s). 0133.							
			187B	798907	Line-Fuel (Molded) (Used After Code Date 10043000). ----- <b>Note</b> ----- <b>791874</b> Line-Fuel (Molded) (Used Before Code Date 10050100). ----- <b>Note</b> ----- <b>694543</b> Adjuster-Rocker Arm (SAE) (Used Before Code Date 09061800). <b>693206</b> Spring-Governor ----- <b>Note</b> ----- <b>693206</b> Spring-Governor Used on Type No(s). 0003, 0005, 0007, 0010, 0145, 0147, 0149, 0150, 0151, 0155, 0158, 0159, 0162, 0163, 0164, 0166, 0167, 0168, 0173, 0177, 0178.				
			188	699479	Screw (Control Bracket)				
			190	699220	Screw (Fuel Tank)				
			192	797440	Adjuster-Rocker Arm (Metric) (Used After Code Date 09061700). ----- <b>Note</b> ----- <b>694543</b> Adjuster-Rocker Arm (SAE) (Used Before Code Date 09061800). <b>693206</b> Spring-Governor ----- <b>Note</b> ----- <b>693206</b> Spring-Governor Used on Type No(s). 0003, 0005, 0007, 0010, 0145, 0147, 0149, 0150, 0151, 0155, 0158, 0159, 0162, 0163, 0164, 0166, 0167, 0168, 0173, 0177, 0178.				
			209	692571	Spring-Governor ----- <b>Note</b> ----- <b>693206</b> Spring-Governor Used on Type No(s). 0003, 0005, 0007, 0010, 0145, 0147, 0149, 0150, 0151, 0155, 0158, 0159, 0162, 0163, 0164, 0166, 0167, 0168, 0173, 0177, 0178.				
						209A	691278	Spring-Governor	
						219	693578	Gear-Governor	
						220	691724	Washer (Governor Gear)	
						222F	793100	Bracket-Control	
						222G	793109	Bracket-Control Used on Type No(s). 0001, 0002, 0160, 0161, 0171, 0172, 0175.	
						227	794367	Lever-Governor Control	
						238	691300	Cap-Valve	
						268	691025	Control Wire Casing (Cut to Required Length)	
						269	691026	Control Wire (Cut to Required Length)	
						270	691027	Nut (Control Wire Casing)	
						271	691028	Lever-Control	
						271A	698038	Lever-Control	
						276	271716	Washer-Sealing	
								<b>693206</b> Spring-Governor (Used After Code Date 10043000). Used on Type No(s). 0100, 0116, 0117, 0118, 0122, 0124, 0125, 0126, 0127, 0128, 0130, 0137, 0141, 0142, 0143. <b>692571</b> Spring-Governor (Used Before Code Date 10050100). Used on Type No(s). 0100, 0116, 0117, 0118, 0122, 0124, 0125, 0126, 0127, 0128, 0130, 0137, 0141, 0142, 0143. <b>693206</b> Spring-Governor (Used After Code Date 10042200). Used on Type No(s). 0135, 0136. <b>692571</b> Spring-Governor (Used Before Code Date 10042300). Used on Type No(s). 0135, 0136.	

# 12D100

REF. NO.	PART NO.	DESCRIPTION	REF. NO.	PART NO.	DESCRIPTION	REF. NO.	PART NO.	DESCRIPTION
276C	797632	Washer-Sealing	309B	798884	Motor-Starter Used on Type No(s). 0001, 0149, 0151, 0153, 0154, 0159, 0161, 0163, 0164, 0172, 0175.	332A	591988	Nut (Flywheel)
281	793122	Panel-Control				333	796964	Armature-Magneto
287	699234	Screw (Dipstick Tube)				334	699477	Screw (Magneto Armature)
300E	798173	Muffler (Used After Code Date 05101800). ----- Note ----- 790548 Muffler (Used Before Code Date 05101900). 799048 Muffler Used on Type No(s). 0003, 0010, 0135, 0136, 0162. 799525 Muffler Used on Type No(s). 0001, 0002, 0007, 0008, 0009, 0017, 0018, 0019, 0036, 0139, 0140, 0146, 0148, 0152, 0153, 0154, 0171, 0172, 0174, 0175.	309C	799330	Motor-Starter Used on Type No(s). 0147.	337	691043	Plug-Spark ----- Note ----- 491055s Plug-Spark Used on Type No(s). 0100, 0111, 0146, 0175. 793541 Plug-Spark Used on Type No(s). 0003.
304	699598	Housing-Blower	309D	699786	Motor-Starter Used on Type No(s). 0113, 0114, 0116, 0119, 0125, 0128, 0150, 0157, 0158.	347	795333	Switch-Rocker
305	699481	Screw (Blower Housing)				356C	695630	Wire-Stop
306A	695710	Shield-Cylinder				356L	790552	Wire-Stop
307	699483	Screw (Cylinder Shield)				357	692191	Key-Pulley (SAE)
307A	699234	Screw (Cylinder Shield)				358	791797	Set-Engine Gasket
307B	790557	Screw (Cylinder Shield)				363	19203	Puller-Flywheel
309A	796238	Motor-Starter ----- Note ----- 796238 Motor-Starter (Used Before Code Date 10050100). Used on Type No(s). 0017, 0018, 0019, 0100, 0117, 0118, 0126, 0130, 0131, 0133, 0138, 0142, 0146. 796328 Motor-Starter Used on Type No(s). 0136.				365	699484	Screw (Carburetor)
						377	690979	Key-Timing
						383	19576s	Wrench-Spark Plug (Oil Fill Bracket)
						415	693463	Plug
						427	798458	Nut (Control Bracket) (Metric)
								----- Note ----- 694255 Nut (Control Bracket) (SAE)
			309E	593445	Motor-Starter Used on Type No(s). 0005, 0011, 0178. ----- Note ----- 593445 Motor-Starter (Used After Code Date 13050900). Used on Type No(s). 0145, 0148, 0152, 0166, 0167, 0170, 0171, 0173, 0174, 0177.	442	790282	Screw (Starter Strap)
			318	798649	Screw (Mounting Bracket) (Metric) ----- Note ----- 690370 Screw (Mounting Bracket) (SAE)			

Illustrations cover a range of engines. Parts shown without corresponding text may not be used on your specific engine.  
 3399-12 Assemblies include all parts shown in frames. 08/06/2014

REF. NO.	PART NO.	DESCRIPTION	REF. NO.	PART NO.	DESCRIPTION	REF. NO.	PART NO.	DESCRIPTION
455	591302	Cup-Flywheel ----- <b>Note</b> ----- <b>797431</b> Cup-Flywheel Used on Type No(s). 0001, 0002, 0003, 0005, 0007, 0008, 0009, 0010, 0017, 0018, 0019, 0036, 0100, 0116, 0117, 0127, 0128, 0130, 0131, 0132, 0135, 0136, 0137, 0138, 0139, 0140, 0141, 0142, 0143, 0145, 0147, 0148, 0149, 0150, 0151, 0152, 0153, 0154, 0155, 0157, 0158, 0159, 0160, 0161, 0162, 0163, 0164, 0166, 0167, 0168, 0170, 0171, 0172, 0173, 0174, 0175, 0177, 0178. <b>797431</b> Cup-Flywheel (Used After Code Date 09050500). Used on Type No(s). 0118, 0119, 0120, 0122, 0124, 0125, 0126, 0130, 0133, 0134. <b>591302</b> Cup-Flywheel (Used Before Code Date 09050600). Used on Type No(s). 0118, 0119, 0120, 0122, 0124, 0125, 0126, 0130, 0133, 0134.	474B	698314	Alternator Used on Type No(s). 0159, 0163, 0167.	526	690297	Screw (Regulator)
			474C	696742	Alternator Used on Type No(s). 0005.	528	793006	Hose-Primer
			485	695755	Knob-Control	552	692346	Bushing-Governor Crank
			493A	695744	Bracket-Mounting	562	691119	Bolt (Governor Control Lever)
			493B	691177	Bracket-Mounting	564	699854	Screw (Control Cover)
			501	698315	Regulator	578A	790481	Wire Assembly
			503		Strap-Starter (No Longer Available)	578B	791956	Wire Assembly
			503A	594086	Strap-Starter	578C	794819	Wire-Stop
			504	695383	Washer Set-Friction	597	691696	Screw (Pawl Friction Plate)
			505	691251	Nut (Governor Control Lever)	598	220624	Shim-End Play
			523	693618	Dipstick	601	791850	Clamp-Hose
			523A	798469	Dipstick Used on Type No(s). 0005, 0011, 0127, 0137, 0138, 0141, 0142, 0143, 0145, 0147, 0148, 0149, 0150, 0151, 0155, 0157, 0158, 0159, 0160, 0161, 0163, 0164, 0166, 0167, 0168, 0170, 0173, 0177, 0178.	604A	793134	Cover-Control
					----- <b>Note</b> ----- <b>798469</b> Dipstick (Used After Code Date 10022100). Used on Type No(s). 0100, 0116, 0117, 0118, 0119, 0120, 0121, 0122, 0124, 0125, 0126, 0128, 0130, 0131, 0132, 0133, 0134, 0940.	604B	790473	Cover-Control
					Dipstick (Used Before Code Date 10022200). (Not Serviced Separate. Service With Dipstick/Tube Assembly Reference #847). Used on Type No(s). 0100, 0116, 0117, 0118, 0119, 0120, 0121, 0122, 0124, 0125, 0126, 0128, 0130, 0131, 0132, 0133, 0134, 0940.	608A	699335	Starter-Rewind ----- <b>Note</b> ----- <b>699335</b> Starter- Rewind (Used Before Code Date 09050600). Used on Type No(s). 0118, 0119, 0120, 0122, 0124, 0125, 0126, 0130, 0133, 0134.
456	692299	Plate-Pawl Friction						
458	699334	Kit Handle/Rope						
459	281505	Pawl-Ratchet						
472A	790553	Knob-Choke Shaft						
472C	791948	Knob-Choke Shaft						
474	793640	Alternator						
474A	797090	Alternator Used on Type No(s). 0003, 0011, 0127, 0130, 0135, 0136, 0138, 0141, 0142, 0149, 0150, 0155, 0158, 0160, 0161, 0162, 0164, 0166, 0168, 0170, 0177.	524	281370	Seal-Dipstick Tube			

# 12D100

REF. NO.	PART NO.	DESCRIPTION	REF. NO.	PART NO.	DESCRIPTION	REF. NO.	PART NO.	DESCRIPTION
608B	797430	Starter-Rewind Used on Type No(s). 0001, 0002, 0005, 0007, 0008, 0009, 0010, 0011, 0017, 0018, 0019, 0036, 0100, 0116, 0117, 0127, 0128, 0130, 0131, 0132, 0135, 0136, 0137, 0138, 0139, 0140, 0141, 0142, 0143, 0145, 0146, 0147, 0148, 0149, 0150, 0151, 0152, 0153, 0154, 0155, 0157, 0158, 0159, 0160, 0161, 0164, 0166, 0167, 0168, 0173, 0175, 0178. ----- Note ----- 798468 Starter- Rewind (Used After Code Date 09050500). Used on Type No(s). 0118, 0119, 0120, 0122, 0124, 0125, 0126, 0130, 0133, 0134.	676D	794213	Deflector-Muffler	842	691031	Seal-O Ring (Dipstick Tube) ----- Note ----- 795015 Seal-O Ring (Dipstick Tube) Used on Type No(s). 0005, 0011, 0100, 0116, 0117, 0118, 0119, 0120, 0121, 0122, 0124, 0125, 0126, 0127, 0128, 0130, 0131, 0132, 0133, 0134, 0137, 0138, 0141, 0142, 0143, 0145, 0147, 0148, 0149, 0150, 0151, 0155, 0157, 0158, 0159, 0160, 0161, 0163, 0164, 0166, 0167, 0168, 0170, 0173, 0177, 0178, 0940.
610	794614	Arrestor-Intake	677A	699776	Screw (Muffler Deflector)	847	693617	Dipstick/Tube Assembly
613D	791972	Screw (Muffler)	689	691855	Spring-Friction	847A	798468	Dipstick/Tube Assembly Used on Type No(s). 0005, 0011, 0100, 0116, 0117, 0118, 0119, 0120, 0121, 0122, 0124, 0125, 0126, 0127, 0128, 0130, 0131, 0132, 0133, 0134, 0137, 0138, 0141, 0142, 0143, 0145, 0147, 0148, 0149, 0150, 0151, 0155, 0157, 0158, 0159, 0160, 0161, 0163, 0164, 0166, 0167, 0168, 0170, 0173, 0177, 0178, 0940.
615	692576	Retainer-Governor Shaft	692	690572	Spring-Detent			
616	692547	Crank-Governor	692B	797624	Spring-Detent			
619	699481	Screw (Cylinder Head Plate)	718	592860	Pin-Locating			
621	692310	Switch-Stop	727	698039	Cover-Starter Drive			
632	692653	Spring/Link- Mechanical Governor	731A	794589	Hood-Snow			
633	693867	Seal-Choke/Throttle Shaft	731B	798456	Hood-Snow ----- Note ----- 793643 Hood-Snow Used on Type No(s). 0001, 0002, 0010, 0011, 0175, 0178.			
633A	691321	Seal-Choke/Throttle Shaft	732	699200	Screw (Starter Drive Cover)			
635	692076	Boot-Spark Plug	735	795901	Cord-Starter			
635A	798619	Boot-Spark Plug	741	695087	Gear-Timing (Metal) ----- Note ----- 593499 Gear-Timing (Nylon)			
663	699854	Screw (Control Panel) ----- Note ----- 699206 Screw (Control Panel) Used on Type No(s). 0001, 0002, 0175.	742	692564	Retainer-E Ring			
668	694257	Spacer	746	790278	Gear-Idler			
676A	697816	Deflector-Muffler	773	694258	Retainer			
			813	690635	Clamp			
			830	797441	Stud-Rocker Arm (Metric) (Used After Code Date 09061700). ----- Note ----- 694544 Stud-Rocker Arm (SAE) (Used Before Code Date 09061800).			
			832D	793193	Guard-Muffler ----- Note ----- 799028 Guard-Muffler Used on Type No(s). 0136.			
			832E	797003	Guard-Muffler			
			836E	699854	Screw (Muffler Guard)			
						851	493880	Terminal-Spark Plug
						868	795440	Seal-Valve
						883A	691893	Gasket-Exhaust
						892	791944	Switch-Key
						892A	798182	Switch-Key
						914	699481	Screw (Rocker Cover) (Bottom)

Illustrations cover a range of engines. Parts shown without corresponding text may not be used on your specific engine.  
3399-14 Assemblies include all parts shown in frames. 08/06/2014

REF. NO.	PART NO.	DESCRIPTION	REF. NO.	PART NO.	DESCRIPTION	REF. NO.	PART NO.	DESCRIPTION
914A	797444	Screw (Rocker Cover) (Quantity 1 Top Or Center) (Metric) (Used After Code Date 09061700).	990	794696	Key-Set	1070	699201	Screw (Flywheel Fan)
		----- Note -----	990A	798177	Key-Set	1095	791798	Gasket Set-Valve
		692557 Screw (Top)(SAE) (Used Before Code Date 09061800).	993	694088	Gasket-Cylinder Head Plate	1119	699772	Screw (Alternator)
914B	697551	Screw (Rocker Cover) (Center) (SAE) (Used Before Code Date 09061800).	998	696683	Pipe-Oil (4" Long)	1196	798785	Screw (Snow Hood)
		----- Note -----			----- Note -----	1196A	699854	Screw (Snow Hood)
		692557 Screw (Top)(SAE) (Used Before Code Date 09061800).	1005A	794273	Fan-Flywheel	1210	498144	Pulley/Spring Assembly (Pulley)
		692557 Screw (Top)(SAE) (Used Before Code Date 09061800).	1011	794544	Tube-Vent	1211	498144	Pulley/Spring Assembly (Spring)
930	696709	Guard-Rewind	1019	792211	Kit-Label	1224	696824	Nut (Carburetor Primer)
957	792647	Cap-Fuel Tank (Fresh Start)	1022	691890	Gasket-Rocker Cover	1230	699847	Stud (Control Bracket)
		----- Note -----	1023	499924	Cover-Rocker Arm	1251	696699	Shield-Snow
		795027 Cap-Fuel Tank (Text Free)	1026	790287	Rod-Push	1251A	796421	Shield-Snow
957A	799719	Cap-Fuel Tank (Carbon In Cap)	1029	797443	Arm-Rocker (Metric) (Used After Code Date 09061700).	1251B	790556	Shield-Snow
957B	698109	Cap-Fuel Tank			----- Note -----	1252	699234	Screw (Snow Shield)
958	698180	Valve-Fuel Shut Off			691230 Arm-Rocker (SAE) (Used Before Code Date 09061800).	1252A	699491	Screw (Snow Shield)
972	799863	Tank-Fuel	1034	691343	Guide-Push Rod	1319	794467	Label-Warning
975	796611	Bowl-Float	1036		Label-Emissions (Available From An Authorized Briggs & Stratton Service Dealer)	1319A	797669	Label-Warning
975D	798931	Bowl-Float			----- Note -----	1330	272147	Repair Manual
976	793382	Primer-Carburetor (Used After Code Date 06110500).			691230 Arm-Rocker (SAE) (Used Before Code Date 09061800).	1357	794700	Sleeve-Fuel Line
		----- Note -----	1054	280275	Tie-Cable	1427	695757	Cap-Pipe
		790221 Primer- Carburetor (Used Before Code Date 06110600).	1058	279128TRI	Operator's Manual			
		----- Note -----			----- Note -----			
		790221 Primer- Carburetor (Used Before Code Date 06110600).			279128EST Operator's Manual			
					279128WST Operator's Manual			

Not for  
Reproduction

