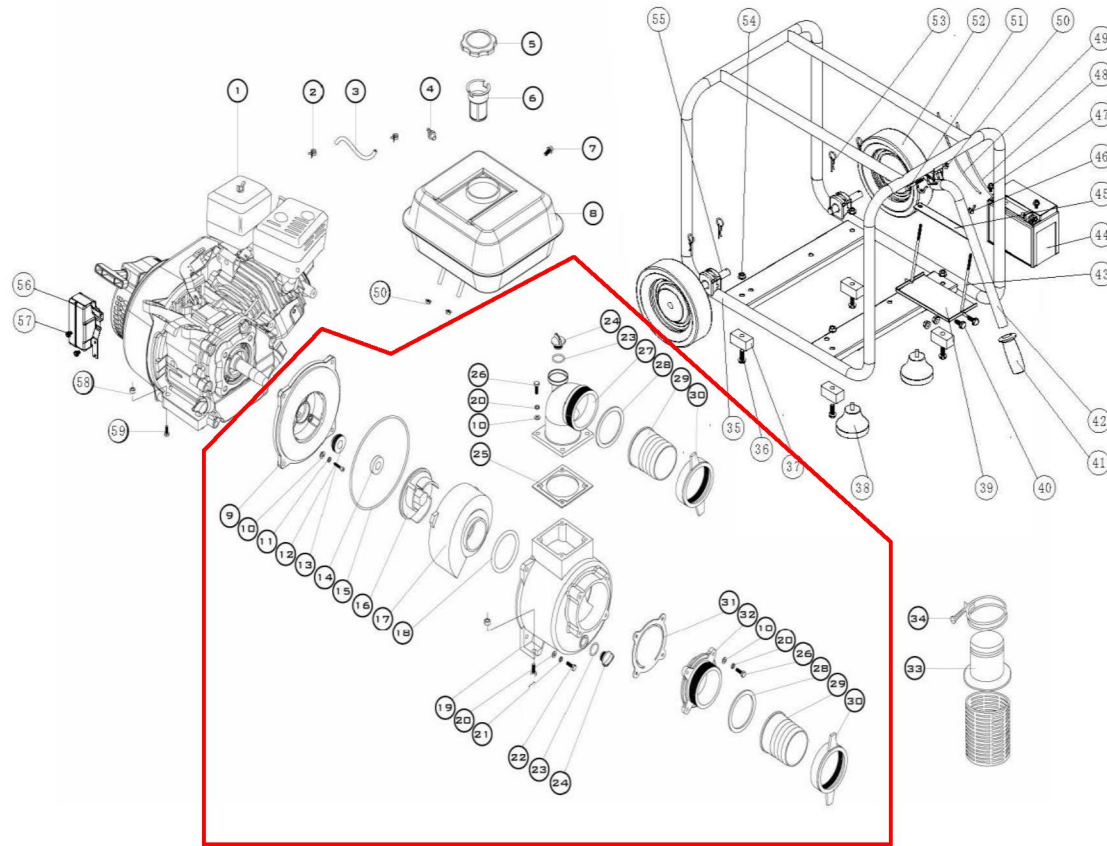


GP100水泵机组配置表

GP100+E+B+W:0898:PARTY MARKETING GASOLINE PUMP



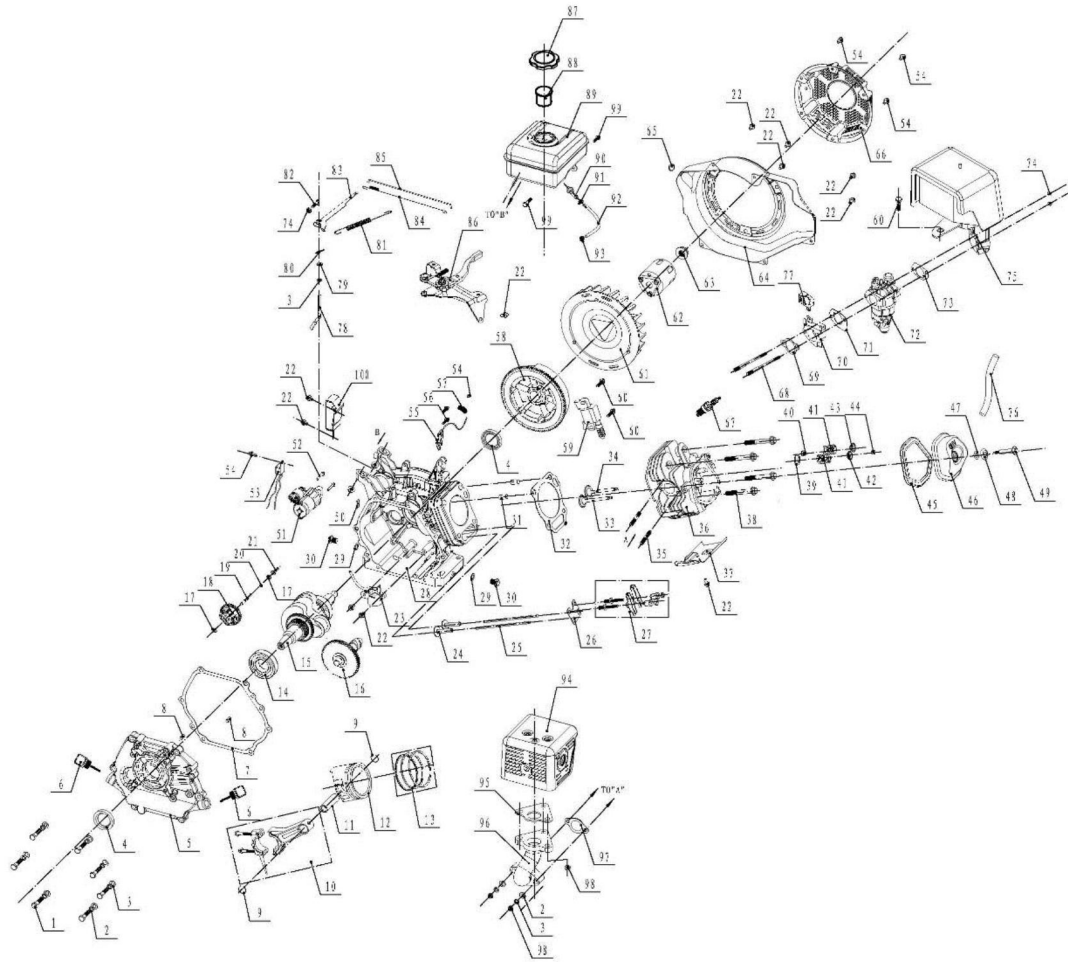
NO.:03205000019

No.	CODE	DESCRIPTION	DESCRIPTION	QTY.	REMARK
1	01204000046		UP177 gasoline engine	1	
2	029019900401		Pipe clamp	2	
3	029019900100		Fuel pipe	1	
4	019990001201		Connector	1	
5	019990001300		Fuel tank cup	1	
6	012020003600		Filter cup	1	
7	511050602501		flange bolt M6X25	1	
8	019990004603		Fuel tank	1	
9	039040200100		Pump cover	1	

GP100水泵机组配置表

10	513010800001	washerφ8	4
11	523010100800	O ring Φ15 * Φ3.0G	4
12	511010804503	flange bolt M8x45	4
13	039040110100	Mechanical seal	1
14	039040110200	porcelain seal	1
15	039040100500	O ring	1
16	039040100700	water pump impeller	1
17	039040100800	volute casing	1
18	039040100900	rubber bushing	1
19	039040101000	housing of pump	1
20	513011000001	washer φ10	12
21	513021000002	spring washer φ10	12
22	511011003001	flange bolt M10X30	4
23	039070101400	O ring	2
24	039010120200	plug packing	2
25	039040101800	rubber washer	1
26	511011002501	flange bolt M10X25	8
27	039040101900	outlet flange	1
28	039040102000	rubber washer	2
29	039040102100	pipe joint	2
30	039040102200	joint grip	2
31	039040101600	check valve	1
32	039040101700	inlet flange	1
33	039040130000	filter net	1
34	039040102300	Rear housing	3
35	032050300001	frame	1
36	511050802001	flange bolt M8X20	4
37	029910100100	shock absorber	4
38	029050100202	shock absorber	2
39	029969910301	battery frame	1
40	511050802501	flange bolt M8X25	2
41	029050100701	plastic fuel tank	1
42	029050110001	handle	1
43	029969900304	battery drag hook(L=145)	2
44	029960200100	battery 12AH	1
45	029960900601	battery board	1
46	512020600001	butterflynut A - M6	2
47	511050601201	flange bolt B- M6X12	2
48	029969900204	battery wire (black) -700mm	1
49	029969900207	battery wire (red) -700mm	1
50	512030600000	flange nut M6	3
51	511050604501	flange bolt B - M6X45	1
52	029970000505	8 inch inflation wheel (decentration)	2
53	029050290004	axle pin for 6145	4
54	512040800001	flange nut M8	6
55	029050100410	wheel -and-axle	2
56	029990800002	electric starter box	1
57	511050801201	flange bolt M8X12	2
58	512041000000	flange nut M10	4
59	511141004001	flange bolt M10X40	4
60	39040200000	pump assy	

UP177-46+E engine spare parts list



No.:01204000046

--	--	--	--	--	--	--

NO.	CODE	DESCRIPTION	DESCRIPTION	QTY.	REMARK
1	511050803803		bolt M8*38	7	
2	513020800002		washer 8	9	
3	513010800002		washer 8	10	
4	522010100501		Oil sealing B3046	2	
5	012040000300		Crankcase cover	1	
6	012040100000		Oil dipstick	2	
7	012040000400		crankcase gaskets	1	
8	514010801400		pin 8*14	2	
9	518041800000		Piston pin circlip	2	
10	012040400000		Connect rod assy	1	
11	012040001200		Piston pin	1	
12	012040001100		Piston	1	
13	012040300000		Piston ring set	1	
14	521010010401		bearing 60000 30	1	
15	012040001306		crank shaft	1	
16	012040500000		cam shaft	1	
17	019990000600		Speed swinging rod washer	2	
18	012040200000		Speed governing gear	1	
19	019990002100		Speed governing shaft	1	
20	012020000600		Snap ring	1	
21	019990001900		Speed governing push dish	1	
22	511050601201		Bolt M6*12	10	
23	019990003700		Oil sensor assy	1	
24	019990003500		Valve tappet	2	
25	012040000900		Valve lifter	2	
26	012041700000		Push guide assy	1	
27	019990002700		Valve rocket assy	2	
28	012040000101		Crankcase	1	
29	019990001500		Oil drain bolt gaskets 12	2	
30	019990001400		Oil drain bolt M12*14	2	
31	514011202000		pin 12*20	2	
32	012040000800		cylinder head cover gasket	1	
33	012040000600		outlet valve	1	
34	012040000700		inlet valve	1	
35	516050805501		Studs M8X55	2	
36	012040000500		cylinder head cover	1	

37	012040001000		Lead wind cover	1	
38	511051008001		Bolt M10*80	4	
39	019990003300		Exhaust spring down seat	1	
40	019990003400		Oil seal, pipe	1	
41	019990003200		valve spring	2	
42	019990003000		Exhaust spring seat	1	
43	019990003100		Intake spring seat	1	
44	019990002900		Cap	1	
45	019990002600		cylinder head cover gasket	1	
46	012041800000		cylinder head cover	1	
47	019990002400		cylinder head cover Bolt gasket	1	
48	019990002300		cylinder head cover Bolt gasket	1	
49	019990002200		cylinder head cover Bolt	1	
50	019990001800		crankcase gaskets	1	
51	012041100000		Starting moto	1	
52	511050804501		Bolt M8x45	2	
53	019990001700		Diode	1	
54	511050600801		Bolt M6*8	5	
55	012021400000		Charge Stator assm	1	
56	511050602803		Bolt M6x28	2	
57	012040002900		Hold wire plate	1	
58	012041200000		Fly wheet assy	1	
59	012040001800		Ignition coil	1	
60	511050602201		Bolt M6*22	3	
61	012040001400		Fly Wheel fan	1	
62	012040001500		Starting flange	1	
63	019990003600		Fly Wheel Nut M16*1.5	1	
64	012040001604		Wind hood	1	
65	012020005200		rubber block	1	
66	012041400003		Recoil starter	1	
67	019990003800		spark plug F7TC	1	
68	516050812301		studs M8X106	2	
69	012040001900		Inlet gasket	1	
70	012040002000		carburator Cushion block	1	
71	012040002100		carburator gasket	1	

72	012040900000		carburator	1	
73	019990004400		Air cleaner gasket	1	
74	512040600001		Nut M6	3	
75	012040700000		Air cleaner assy	1	
76	019990003900		Breathing tube	1	
77	019990004500		Clip	1	
78	012040000200		Speed swinging rod	1	
79	019990005100		Speed swinging rod washer	1	
80	019990001600		Speed swinging rod lock clamps	1	
81	012040002200		Speed governing spring	1	
82	012020004500		Bolt	1	
83	012040002600		Speed governing arm	1	
84	012040002300		throttle reset spring	1	
85	012040002400		Speed governing pull rod	1	
86	012041000000		Speed governing assy	1	
87	019990001300		Fuel tank cap	1	
88	012020003600		Filter	1	
89	019990004603		Fuel tank	1	
90	019990001201		Oil tube	1	
91	029019900401		Clamp ϕ 8	1	
92	029019900100		Oil pipe	0.2	
93	029019900408		Clamp ϕ 7	1	
94	012040800000		Silencer assm	1	
95	019990004100		Silencer gasket	1	
96	012040003200		Vent-pipe	1	
97	029049910600		Silencer gastet-6	1	
98	512040800001		Nut M8	7	
99	511050802501		Bolt M8*25	2	
100	029990800002		Electric starter control box	1	