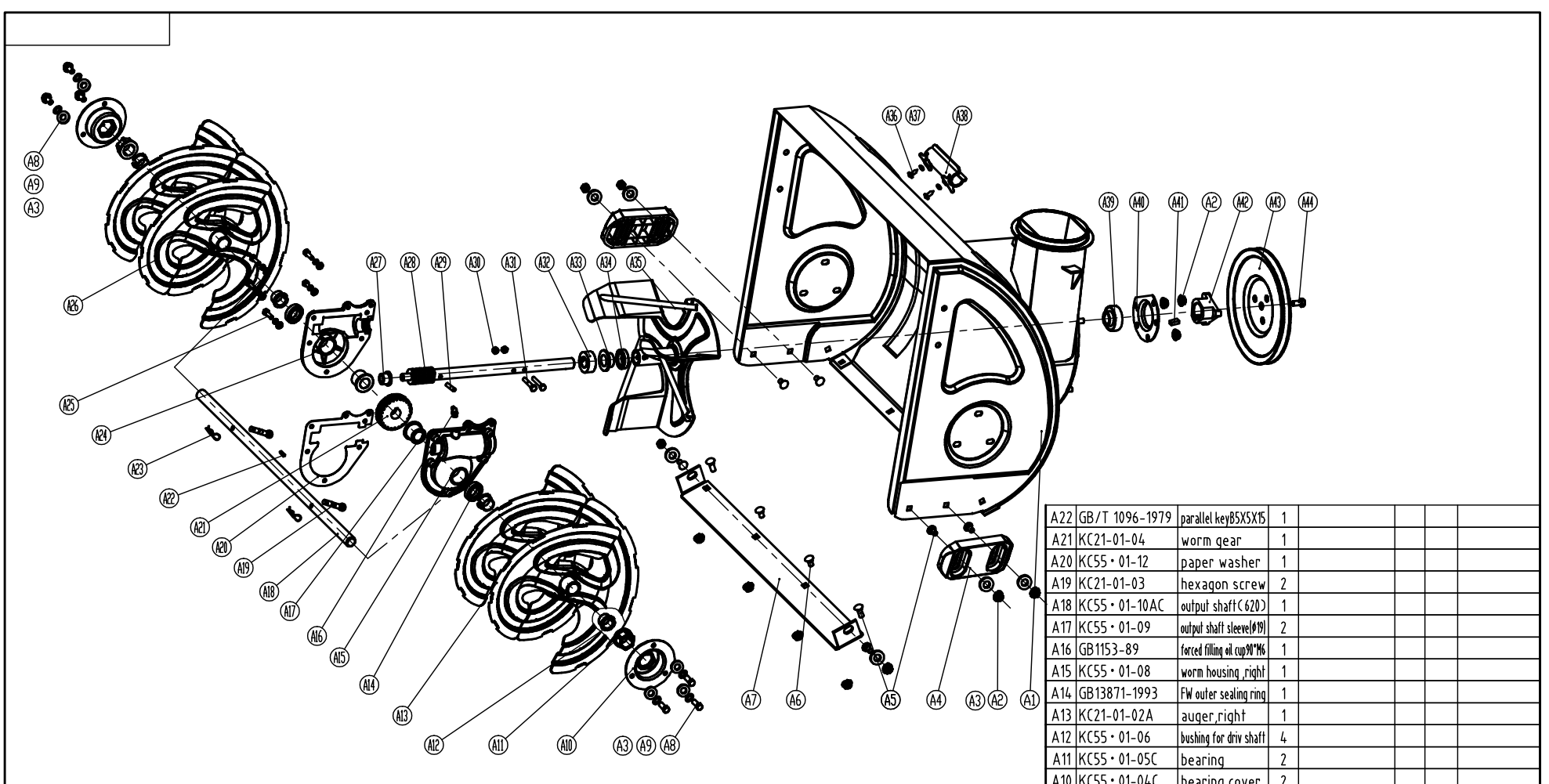


***С*ЧАМРІОН®**

**ДЕТАЛІРОВКА  
СНЕГОУБОРЩИКА**

**ST662BS**



A22	GB/T 1096-1979	parallel keyB5X5X15	1						
A21	KC21-01-04	worm gear	1						
A20	KC55-01-12	paper washer	1						
A19	KC21-01-03	hexagon screw	2						
A18	KC55-01-10AC	output shaft(φ620)	1						
A17	KC55-01-09	output shaft sleeve(φ9)	2						
A16	GB1153-89	forced filling oil cupφ11*6	1						
A15	KC55-01-08	worm housing, right	1						
A14	GB13871-1993	FW outer sealing ring	1						
A13	KC21-01-02A	auger, right	1						
A12	KC55-01-06	bushing for driv shaft	4						
A11	KC55-01-05C	bearing	2						
A10	KC55-01-04C	bearing cover	2						
A9	GB/T93-1987	spring washer8	7						
A8	GB/T 5780-2000	bolt M8X15	7						
A7	KC55-01-03A	shave plate, long	1						
A6	GB/T12-1988	carriage boltM8X15	2						
A5	GB/T12-1988	carriage boltM8X20	8						
A4	KC26-01-02	slide shoe	2						
A3	GB/T96.1-2002	big washer8	12						
A2	GB/T 889.1-2000	flange nut with insertM6	16						
A1	KC21-01-01A	housing assembly	1						

A36	GB/T845-1985	parallel key size with reserved length	2						
A35	KC26-01-05	fan	1						
A34	GB 13871-1992	sealing ringB 20 35	1						
A33	KC55-01-19	bushing, worm shaft1	1						
A32	KC55-01-18	collar for worm shaft	1						
A31	GB/T 5780-2000	hexagon head bolt M6X35	2						
A30	GB/T6182-2000	hexagon nut with reserved insertM6	4						
A29	GB/T879-2000	spring bolt16X30	1						
A28	KC55-01-17	worm shaft	1						
A27	KC55-01-16	bushing worm shaft2	1						
A26	KC21-01-05A	auger, left	1						
A25	GB/T 9074.17	hexagon head bolt M6X20	5						
A24	KC55-01-14	worm housing, left	1						
A23	KC55-29	individua pen pinchcock	2						

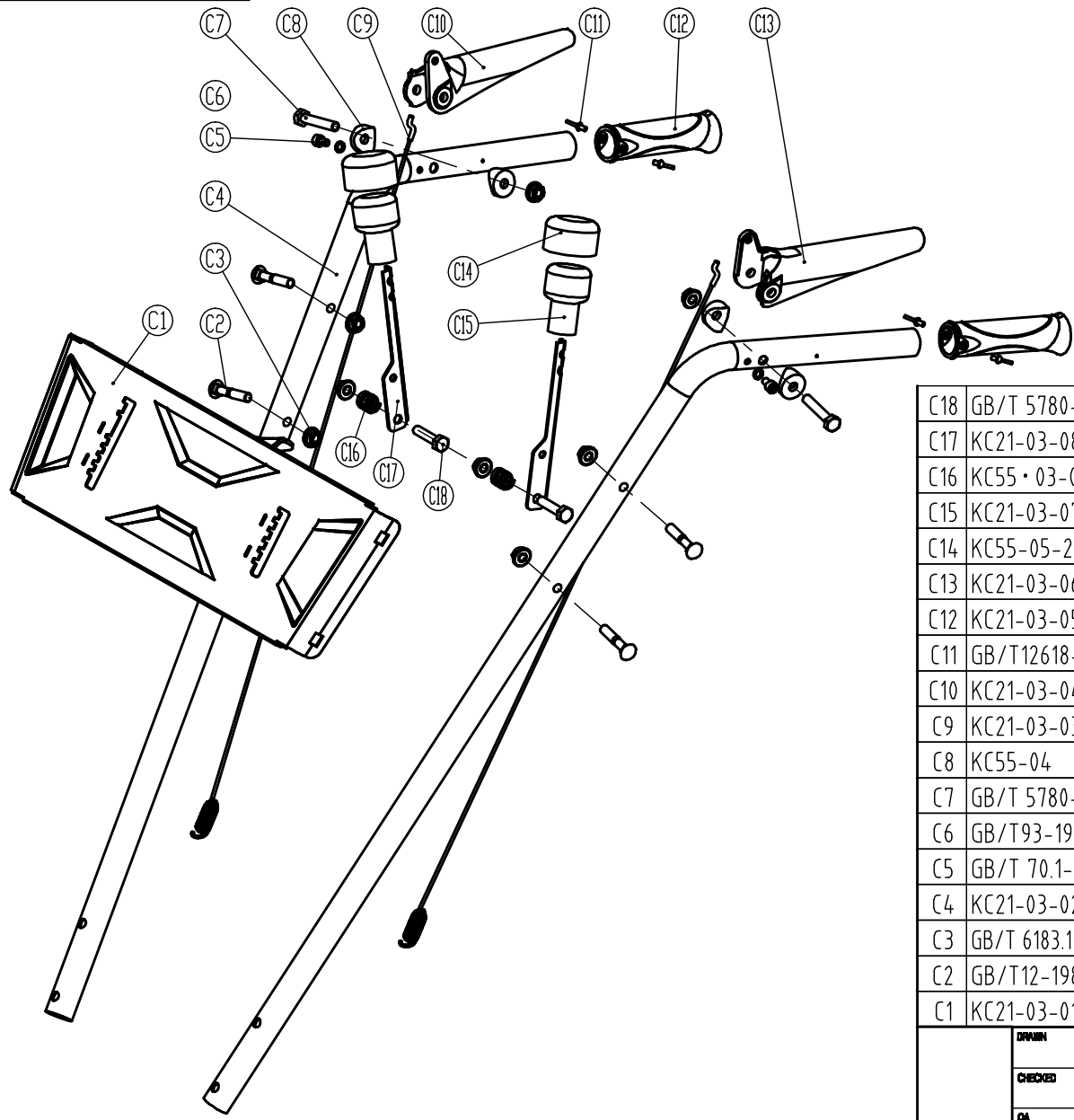
A44	GB/T 5780-2000	hexagon head boltM6X20(left)	1						
A43	KC21-01-6	belt pulley	1						
A42	KC26-01-08	pully shaft	1						
A41	GB/T 1096-1979	parallel keyB6X6X25	1						
A40	KC55-01-22	bearing housing	1						
A39	6204S-2Z-WB1	ball bearing	1						
A38	KC55-01-21	bracket for snow removal tool	1						
A37	GB/T95-1985	flat washer6	2						

借通附件登记  
描图  
校描  
旧底图总号  
签字  
日期

设计 设计者 审核 日期 批准	日期 2012-4		图号 KC24-01-00	比例 1:2.5	数量



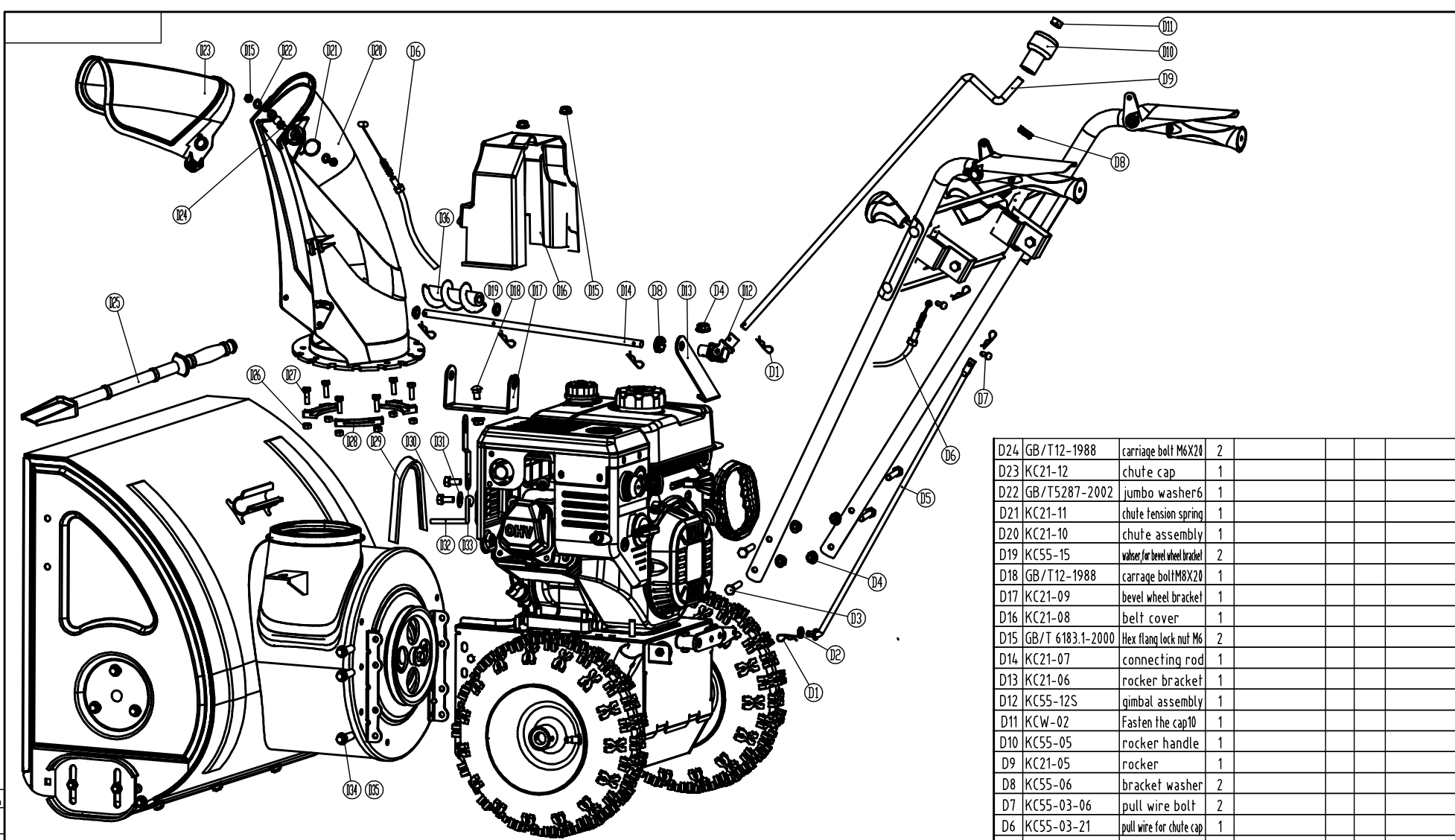
KC21-03-00



C18	GB/T 5780-2000	hexagon head bolt M8X35	2				
C17	KC21-03-08	handle bar	2				
C16	KC55-03-04	pre-tighten spring	2				
C15	KC21-03-07	gear regulation handle	2				
C14	KC55-05-2	handle cap	2				
C13	KC21-03-06	handle ,left	1				
C12	KC21-03-05	Handle	2				
C11	GB/T12618-1990	open type blind rivet 3X10	4				
C10	KC21-03-04	handle ,right	1				
C9	KC21-03-03	long wire	2				
C8	KC55-04	plastic nut housing	4				
C7	GB/T 5780-2000	hexagon head bolt M8X50	2				
C6	GB/T93-1987	spring washer 6	2				6
C5	GB/T 70.1-1985	hexagon socket cap screw M6X12	2				M8X60
C4	KC21-03-02	armrest bar	2				
C3	GB/T 6183.1-2000	Hex flang lock nut	8				
C2	GB/T12-1988	carriage bolt M8X35	4				
C1	KC21-03-01	panel	1				

借通用件登记  
描图  
校描  
旧底图总号  
签字  
日期

DRAWN	DATE	KC MECHANICAL & ELECTRICAL		
	2012/4			
CHECKED				
QA				
MFG		SIZE	FORM NO.	DWG NO.
APPROVED		A3		KC21-03-00
		SCALE	1:4	SHEET
				REV



借通附件登记  
 插图  
 校描  
 旧底图总号  
 签字  
 日期

D24	GB/T12-1988	carriage bolt M6X20	2						
D23	KC21-12	chute cap	1						
D22	GB/T5287-2002	jumbo washer6	1						
D21	KC21-11	chute tension spring	1						
D20	KC21-10	chute assembly	1						
D19	KC55-15	washer for bevel wheel bracket	2						
D18	GB/T12-1988	carriage bolt M8X20	1						
D17	KC21-09	bevel wheel bracket	1						
D16	KC21-08	belt cover	1						
D15	GB/T 6183.1-2000	Hex flang lock nut M6	2						
D14	KC21-07	connecting rod	1						
D13	KC21-06	rocker bracket	1						
D12	KC55-12S	gimbal assembly	1						
D11	KCW-02	Fasten the cap10	1						
D10	KC55-05	rocker handle	1						
D9	KC21-05	rocker	1						
D8	KC55-06	bracket washer	2						
D7	KC55-03-06	pull wire bolt	2						
D6	KC55-03-21	pull wire for chute cap	1						
D5	KC21-04	connecting rod	1						
D4	GB/T 889.1-2000	hexagon nut with nonmetal insertM6	6						
D3	GB/T12-1988	carriage bolt M8X50	4						
D2	GB/T95-2002	flat washer 6	1						
D1	KC55-29	individua pen pinchock	6						

D32	KC90-12	belt baffle	1						
D31	GB/T5287-2002	big washer8	2						
D30	GB/T 5780-2000	hexagon head screws M8X20	2						
D29	V10X720	belt	1						
D28	KC55-23	fixed block	3						
D27	GB/T 818-2000	panhead screw with cross recess M4x6	6						
D26	GB/T 889.1-2000	hexagon nuts with non-metallic insert(M6)	6						
D25	KC55-24	snow removal tool	1						

D36	KC21-14	Rotating parts?	1						
D35	GB/T95-2002	flat washer8	6						
D34	GB/T 6563	hexagon head thread forming screws M8X16	6						
D33	KC21-13	guyhook	1						

DESIGN	DATE		KC624S	REV	
DESIGNED	2012/4				
QA					
APP					
APPROVED		SCALE	1:2	QUANTITY	