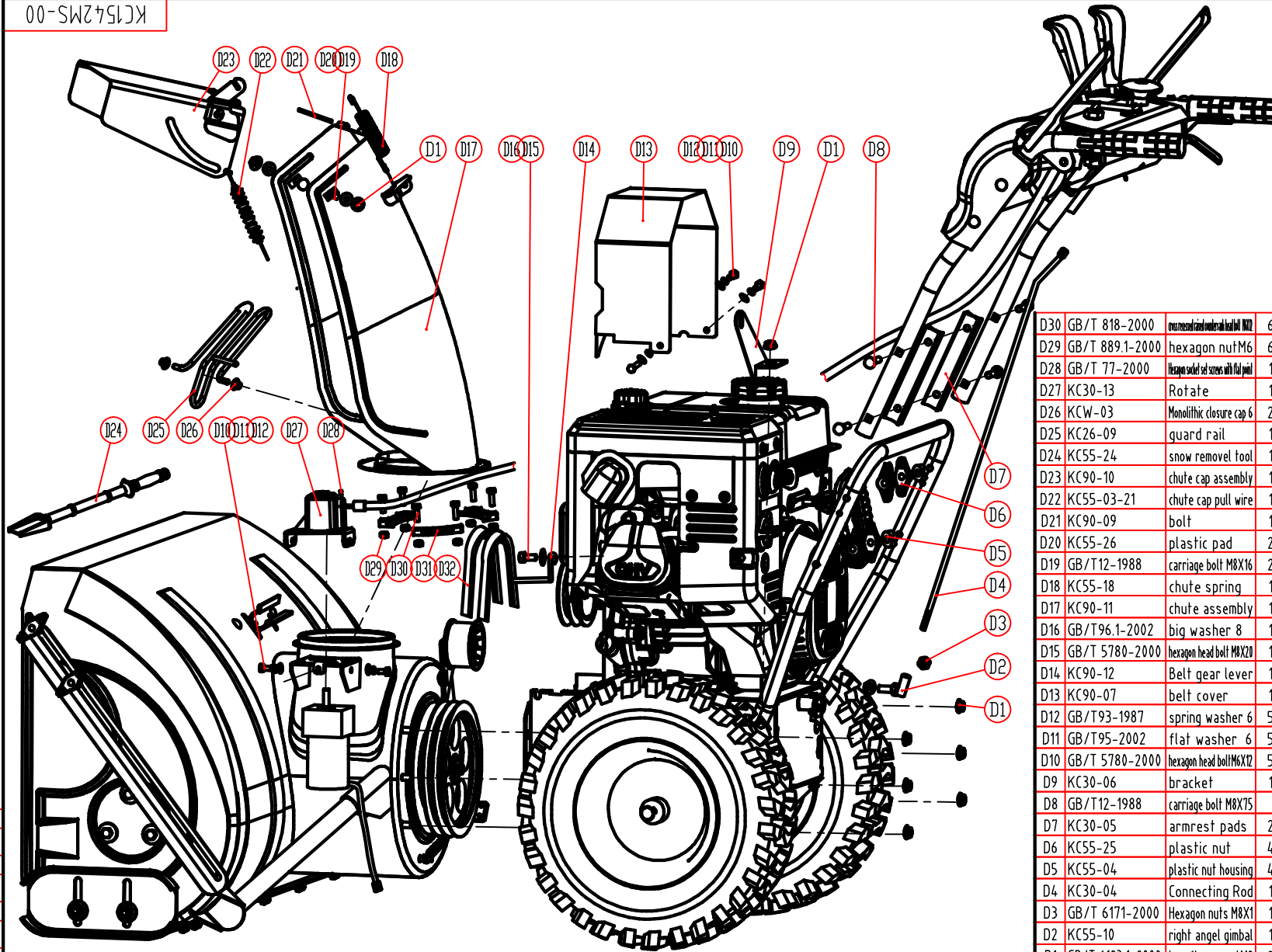


СНАМРІОН[®]

**ДЕТАЛІРОВАКА
СНЕГОУБОРЩИКА**

ST1510E

KC1542MS-00



D30	GB/T 818-2000	cross threaded end nut M8	6						M6X12
D29	GB/T 889.1-2000	hexagon nut M6	6						
D28	GB/T 77-2000	hexagon socket set screws with flat point	1						M6X8
D27	KC30-13	Rotate	1						
D26	KCW-03	Monolithic closure cap 6	2						
D25	KC26-09	guard rail	1						
D24	KC55-24	snow removal tool	1						
D23	KC90-10	chute cap assembly	1						
D22	KC55-03-21	chute cap pull wire	1						
D21	KC90-09	bolt	1						
D20	KC55-26	plastic pad	2						
D19	GB/T12-1988	carriage bolt M8X16	2						
D18	KC55-18	chute spring	1						
D17	KC90-11	chute assembly	1						
D16	GB/T96.1-2002	big washer 8	1						
D15	GB/T 5780-2000	hexagon head bolt M8X20	1						
D14	KC90-12	Belt gear lever	1						
D13	KC90-07	belt cover	1						
D12	GB/T93-1987	spring washer 6	5						
D11	GB/T95-2002	flat washer 6	5						
D10	GB/T 5780-2000	hexagon head bolt M6X12	5						
D9	KC30-06	bracket	1						
D8	GB/T12-1988	carriage bolt M8X75							
D7	KC30-05	armrest pads	2						
D6	KC55-25	plastic nut	4						
D5	KC55-04	plastic nut housing	4						
D4	KC30-04	Connecting Rod	1						
D3	GB/T 6171-2000	Hexagon nuts M8X1	1						
D2	KC55-10	right angel gimbal	1						
D1	GB/T 6183.1-2000	hex flange nut M8	9						

借通附件登记

描图

校描

旧底图总号

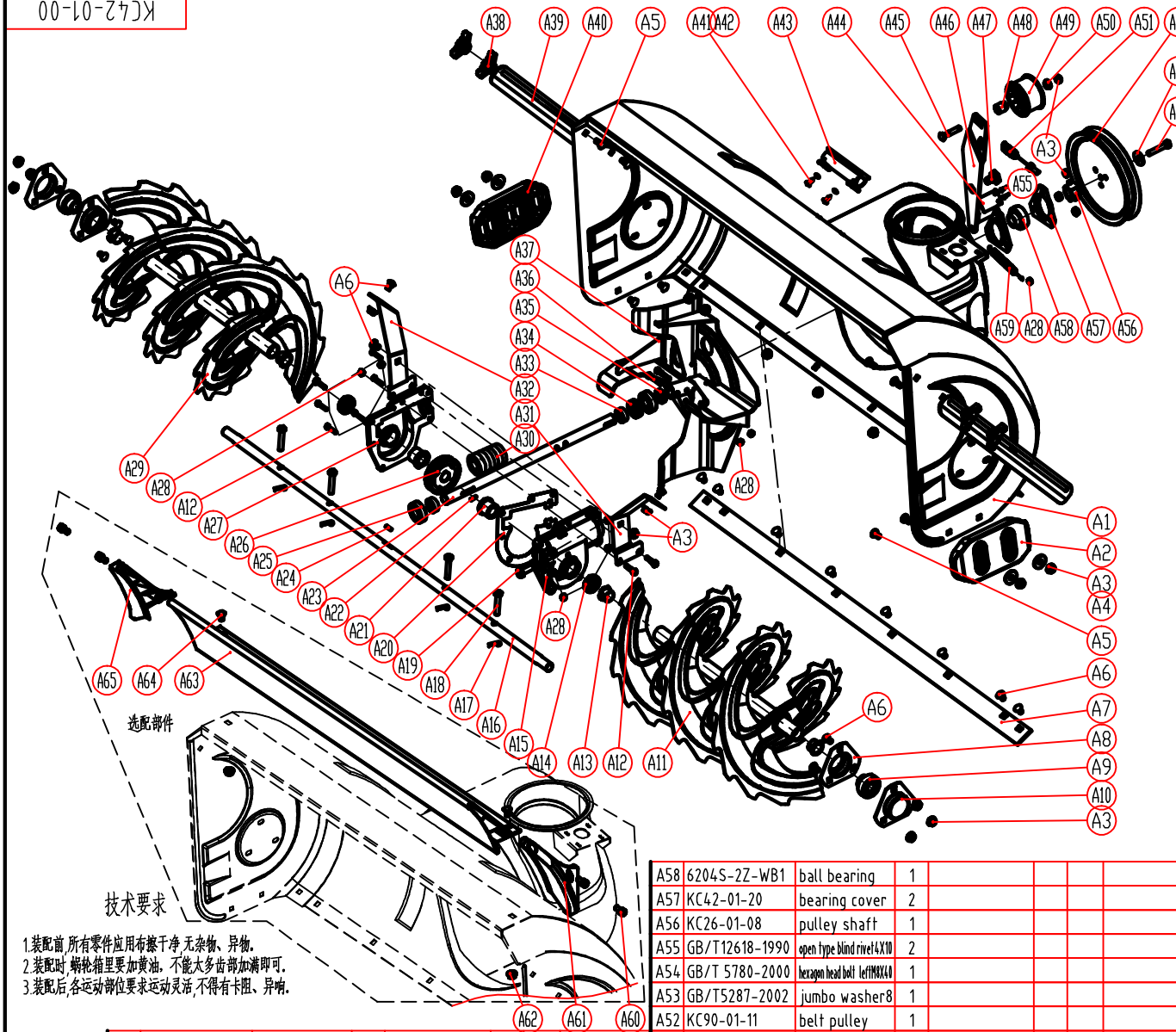
签字

日期

D32	13X1005	belt	2						
D31	KC55-23	fixed block	3						

ying 日期 审核 批准	KC MECHANICAL & ELECTRICAL
图号 AZ	图名 KC1542MS-00
比例 1:4	页次 1/1

00-10-2733



技术要求

1. 装配前, 所有零件应用布擦干净, 无杂物、异物。
2. 装配时, 蜗轮箱里要加黄油, 不能太多, 齿部加满即可。
3. 装配后, 各运动部位要求运动灵活, 不得有卡阻、异响。

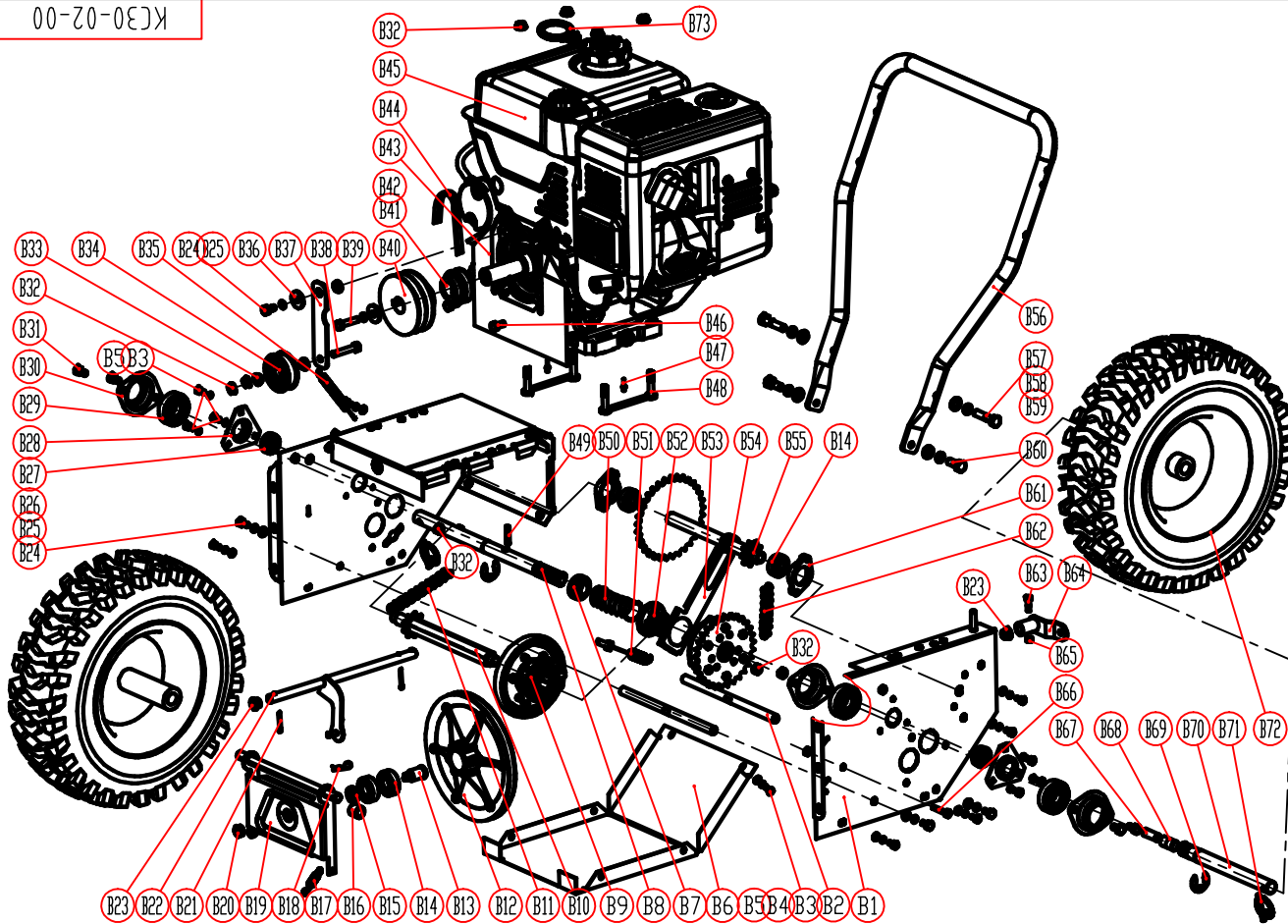
A65	KC26-01-11	Lift Cover	1						
A64	GB/T12-1988	carriage bolt M8X20	2						
A63	KC42-01-21	Higher Panel	1						
A62	GB/T 6183.1-2000	hex flange lock nut M8	2						
A61	KC26-01-09	Right Cover	1						
A60	GB/T 70.1-1985	hexagon socket cap screw M8X8	4						
A59	KC55-01-31	spring5	1						

A58	6204S-2Z-WB1	ball bearing	1						
A57	KC42-01-20	bearing cover	2						
A56	KC26-01-08	pulley shaft	1						
A55	GB/T12618-1990	open type blind rivet4X10	2						
A54	GB/T 5780-2000	hexagon head bolt leftM8X40	1						
A53	GB/T5287-2002	jumbo washer8	1						
A52	KC90-01-11	belt pulley	1						
A51	KC55-01-28	auger pull wire	1						
A50	KC55-01-26	pad	1						
A49	KC55-01-27	big tension pulley	1						
A48	KC55-01-24	pad	1						
A47	KC90-01-12	hexagon screw	1						
A46	KC90-01-10	fixed plate	1						
A45	GB/T12-1988	carriage bolt M8X40	1						

A44	KC90-01-18	shave plate	1						
A43	KC55-01-21	bracket for saw removal tool	1						
A42	GB/T95-2002	flat washer 6	2						
A41	GB/T 845-1985	pinball tappet with rounded T100	2						ST4.2X13
A40	KC42-01-14	slide shoe	2						
A39	KC26-01-06	Housing Strut	2						
A38	KC55-25	plastic nut	4						
A37	KC42-01-19	fan	1						
A36	GB/T 5780-2000	hexagon head bolt M6X35	2						
A35	GB13871-1993	seal ring 20X35X7	1						
A34	GB/T301-1995	thrust ball bearing 51104	1						
A33	KC42-01-18	Worm Shaft Sleeve	2						
A32	KC90-01-07	bracket left	1						
A31	KC90-01-06	bracket right	1						
A30	KC42-01-17	Worm	1						
A29	KC42-01-16	auger left	1						
A28	GB/T 889.1-2000	hex nut with nonmetal insertM6	10						
A27	KC42-01-15	worm housing left	1						
A26	KC42-01-14	worm gear	1						
A25	GB/T276-1994	bearing6004	2						
A24	GB/T1096-1979	parallel keyA8X7X25	1						
A23	KC42-01-13	Worm Shaft	1						
A22	GB/T1096-1979	parallel keyA6X6X20	1						
A21	KC42-01-12	output shaft sleeve(Φ25)	2						
A20	KC42-01-11	paper pad	1						
A19	GB/T 5780-2000	hex head flange boltM10X10	1						
A18	KC42-01-10	safety bolt	4						
A17	KC55-29	individual pin pinchcock	4						
A16	KC42-01-09	output shaft	1						
A15	KC42-01-08	worm housing right	1						
A14	GB13871-1993	frame work sealing ringSXSXS	2						
A13	KC42-01-07	small bushing	4						
A12	GB/T 5780-2000	hexagon head bolt M6X30	8						
A11	KC42-01-06	quger right	1						
A10	KC42-01-05	Sealed bearing Seat	2						
A9	SB205	ball bearing	2						
A8	KC42-01-04	Bearing Seat	2						
A7	KC42-01-03	42'shave plate	1						
A6	GB/T12-1988	carriage bolt M8X15	11						
A5	GB/T12-1988	carriage bolt M8X20	8						
A4	GB/T96.2-2002	big washer8	4						8
A3	GB/T 6183.1-2000	hex flange lock nutM8	25						
A2	KC42-01-02	slide shoe	2						
A1	KC42-01-01	housing assembly	1						

ying	2011.4		KC42-01-00
AZ	1:6		

00-20-0E3X



B44	37X132BE	belt	1							
B43	KC90-02-18	bushing for driving shaft	1							
B42	KC90-02-17-2	belt pulley2	1							
B41	KC55-02-17-1	belt pulley1	1							
B40	KC90-02-16	small belt pulley	1							
B39	GB/T5785-2000	hexagon head bolt M6X35	1							
B38	GB/T 5780-2000	hexagon head bolt M6X45	1							
B37	KC90-02-28	small tension plate	1							
B36	GB/T5287-2002	jumbo washer8	2							
B35	KC90-02-15	spring	1							
B34	KC55-02-21	small tension pulley	1							
B33	KC55-01-26	gasket	2							
B32	GB/T 6183.1-2000	hex flange nut with nonmetal insertM8	10							
B31	GB/T 5780-2000	hex head boltM8X16	9							
B30	KC90-02-11	rhombus bearing housing	2							
B29	6205	bearing	3							
B28	KC90-02-12	triangle bearing housing	2							
B27	6002	bearing	2							
B26	GB/T95-2002	flat washer8	4							
B25	GB/T93-1987	spring washer 8	5							
B24	GB/T 5780-2000	hex head boltM8X16	9							
B23	KC90-02-07	plastic bushing	2							
B22	KC90-02-06	shifting fork	1							
B21	GB/T91-2000	cofter pin2.5X25	2							
B20	GB/T 889.1-2000	hex lock nut with nonmetal insertM8	1							
B19	KC55-02-09	belt pulley bracket	1							
B18	KC55-29	individual pen pincheck	1							
B17	KC55-02-07	spring6	1							
B16	KC55-02-10	spacer	1							
B15	KC90-02-34	shaft washer	1							
B14	6003	bearing	4							
B13	KC90-02-13	transmission belt shaft	1							
B12	KC90-02-08	friction pulley	1							
B11	KC90-02-08	friction pulley	1							
B10	KC30-02-04	hexagon axle	1							
B9	KC55-02-15	change pulley assembly	1							
B8	KC30-02-03	Semi-Major Axis	1							
B7	KC30-02-02	Ring	1							
B6	KC90-02-01	cover, frame	1							
B5	GB/T93-1987	spring washer 6	16							
B4	GB/T95-2002	flat washer 6	10							
B3	GB/T 5780-2000	hex head bolt M6X12	16							
B2	KC90-02-31	strut bar	2							
B1	KC30-02-01	boxbody	1							
B73	KC30-02-17	Pull button	1							
B72	16X6.5-8	skidproof tyre	2							
B71	KCW-03	D Pin 8X50	2							
B70	KC30-02-14	Short Semiaxis	1							
B69	GB896-2000	Split Washer 22	2							
B68	15X17X15	Shaft Sleeve	2							
B67	KC30-02-13	Core shaft	1							
B66	GB/T 5780-2000	hex head bolt M6X35	1							
B65	GB/T 889.1-2000	hexagon bolt with nonmetal insertM8	2							
B64	KC30-02-12	gear connector	1							
B63	GB/T 5780-2000	hex head bolt M6X30	1							
B62	084-38	roller chain	1							
B61	KC30-02-11	Bering Pedestal	2							
B60	GB/T 5780-2000	hex head bolt M10X25	2							
B59	GB/T95-2002	flat washer10	4							
B58	GB/T93-1987	spring washer 10	4							
B57	GB/T 5780-2000	hex head boltM10X45	2							
B56	KC90-02-21	handle lower	1							
B55	KC30-02-10	Shaft Assembly	1							
B54	KC30-02-09	differential	1							
B53	KC30-02-08	Clutch fork	1							
B52	KC30-02-07	auxiliary clutch	1							
B51	KC30-02-06	Wire	1							
B50	KC30-02-05	big spring	1							
B49	GB/T879-2000	spring pin	1							
B48	KC90-02-19	twin bolt	1							
B47	GB/T12618-1990	open type blind rivet4X10	2							
B46	GB/T 5780-2000	hex head bolt M8X10	2							
B45	LC180F(D)S	engine	1							

借通件件登记
描图
校描
旧底图总号
签字
日期

DATE
2011/6/25



KC MECHANICAL & ELECTRICAL

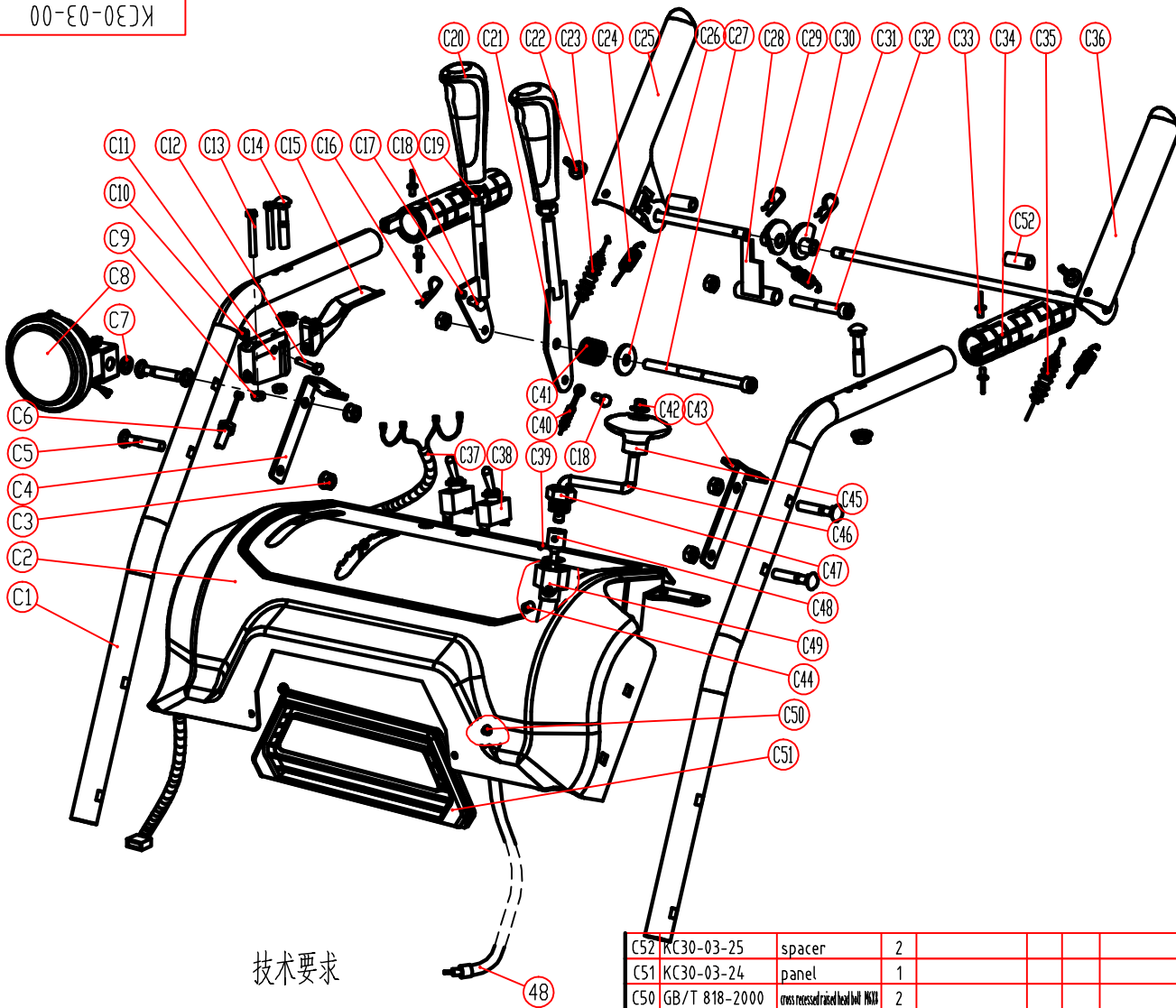
DATE
AZ

SCALE
1:5.5

MODEL
KC30-02-00

NO.
PAGE

00-E0-0E3X



技术要求

1. 装配前, 所有零件应用于干净、无杂物、异物。
2. 装配过程, 表面油漆不得划伤、碰撞漆等。
3. 压下序号25手柄和33手柄再放开33手柄能保持下压状态。
4. 先粘贴面板操作标贴, 在安装电气开关。

C52	KC30-03-25	spacer	2						
C51	KC30-03-24	panel	1						
C50	GB/T 818-2000	cross recessed raised hex bolt M6X8	2						
C49	KC30-03-23	Fixed seat of Rocker 1	1						
C48	KC30-03-22	Flexible Shaft	1						
C47	KC30-03-21	Fixed Seat of Rocker 2	1						
C46	KC30-03-20	small rocker	1						
C45	KC30-03-19	Rocker Handle	1						
C44	GB/T 77-2000	Hexagon socket set screws M6X8	1				M6X8		
C43	KC30-03-15	Wire Seat Right	1						
C42	KCW-01	Monolithic closure cap 8	1						
C41	KC55-03-04	pretighten spring	1						
C40	KC55-03-21	chute cap pull wire	1						

C39	GB/T 77-2000	screw M4X6	1						
C38	HY64	arc switch	2						
C37	KC30-03-14	input wire	1						
C36	KC30-03-13	handle left	1						
C35	KC90-01-12	auger pull wire	1						
C34	KC90-04-04	Heated Handle	2						
C33	GB/T 12618-1990	open type blind rivet 3X8	4						
C32	GB/T 70.1-1985	hexagon socket cap screw M6X8	1						
C31	KC55-03-11	stopping spring	1						
C30	KC55-03-13	cam	2						
C29	KC55-03-23	individual pen pinchcock	2						
C28	KC55-03-12	stopping part	1						
C27	GB/T 70.1-1985	hexagon socket cap screw M6X8	1						
C26	GB/T 5287-2002	jumbo washer 8	1						
C25	KC30-03-12	handle right	1						
C24	KC55-03-17	handle spring	2						
C23	KC90-04-02	moving pull wire	1						
C22	KC55-03-15	rubber pad	2						
C21	KC30-03-11	chute cap handle	1						
C20	KC30-03-10	regulation handle	2						
C19	GB/T 889.1-2000	hexagon nut with nonmetal insert M6	2						
C18	KC55-03-06	pull wire bolt	2						
C17	KC30-03-09	Gear control lever	1						
C16	KC55-29	individual pen pinchcock	2						
C15	KC30-03-08	Clutch Handle	1						
C14	GB/T 12-1988	carriage bolt M8X35	1						
C13	GB/T 5780-2000	hexagon head bolt M5X30	2						
C12	KC30-03-06	handle bolt	1						
C11	KC30-03-05	Clutch Handle Seat	1						
C10	GB/T 889.1-2000	hexagon nut with nonmetal insert M6	1						
C9	GB/T 889.1-2000	hexagon nut with nonmetal insert M5	2						
C8	KC30-03-04	light	1						
C7	KC55-26	plastic pad	1						
C6	KC30-02-06	Clutch Wire	1						
C5	GB/T 12-1988	carriage bolt M8X40	4						
C4	KC30-03-03	Wire Seat Right	1						
C3	GB/T 6183.1-2000	hexagon flange nut with nonmetal insert M6	8						
C2	KC30-03-02	panel-electronic	1						
C1	KC30-03-01	handle upper	2						
56	GB/T 195-2002	平垫圈 6	1						垫圈 6
55	GB/T 193-1987	弹性垫圈 6	1						6
54	GB/T 818-2000	十字槽盘头螺钉 M6X12	3						M6X12
53	GB/T 889.1-2000	非金属嵌件铜螺母 M6	2						
48	KC30-03-22	Flexible Shaft	1						

设计	日期		KC30-03-00
ying	2011.4		
审核		图号	
批准		比例	1:3

- 借通附件登记
- 描图
- 校描
- 旧底图总号
- 签字
- 日期