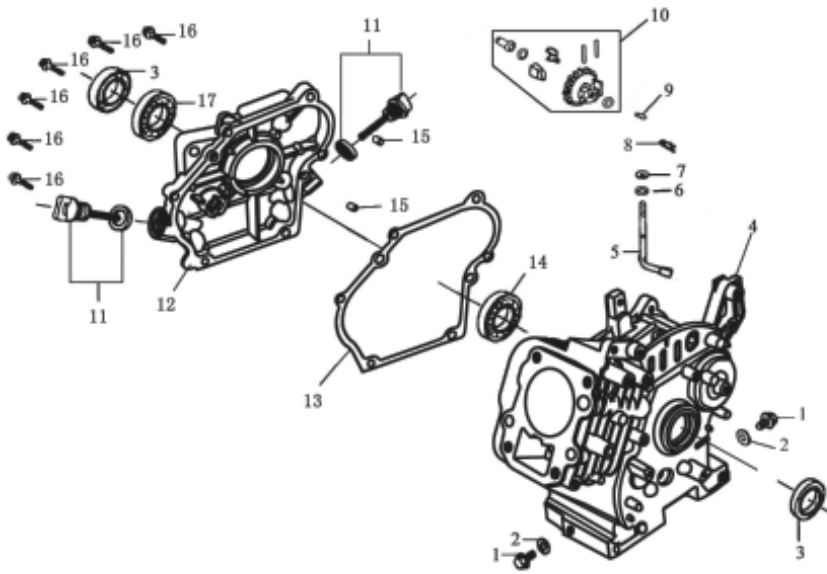


# UP154(UP90)零部件配置表

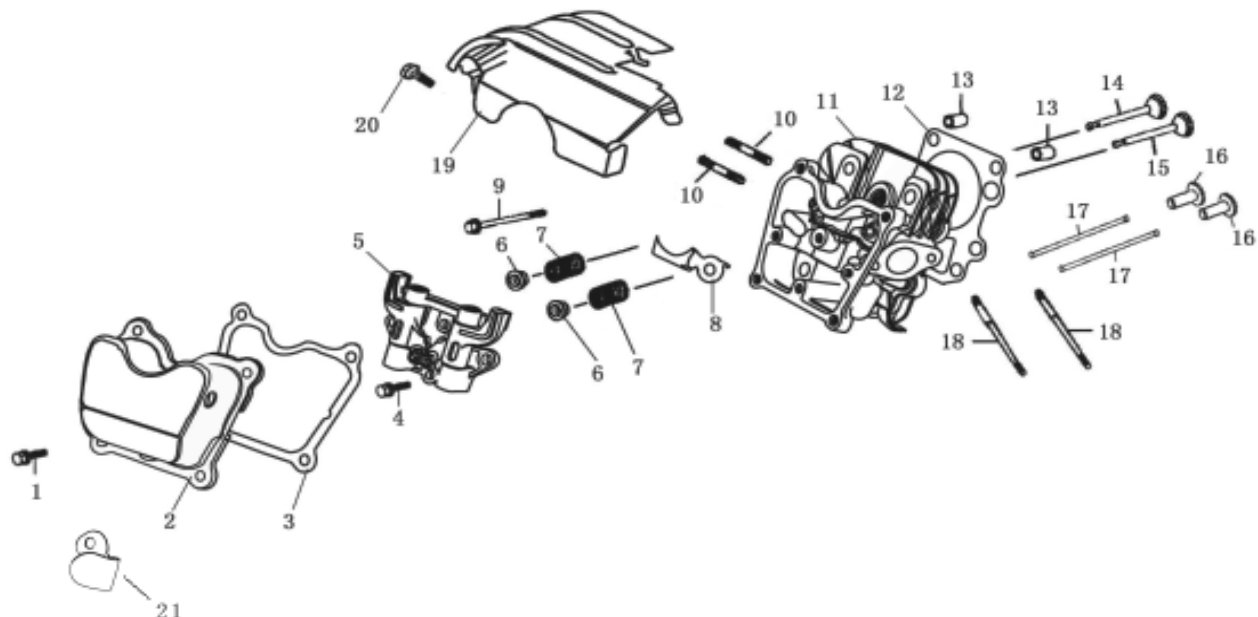
## 1. 曲轴箱总成 CRANKCASE ASSY



序号	编号	名称	英文名称	数量	
	CODE	DESCRIPTION	DESCRIPTION	QTY.	
1	3A1001001		Drain plug	2	
2	3A1001002		Washer, drain plug	2	
3	3S61173006		Oil seal, crankshaft	2	
4	3A1001004		Crankcase	1	
5	3A1001005		Regulating sway bar	1	
6	3A1001018		Ringent pin circlip	1	
7	3A1001006		Washer	1	
8	3A2001007		Split pin	1	
9	3A1001008		Regulating shaft	1	
10	3A1001100		Driven gear assy	1	
11	3A1001200		Dipstick with seal	2	
12	3A1001012		Crankcase cover	1	
13	3A1001013		Gasket, crankcase	1	
14	3S7106203		Bearing 6203	1	
15	3S5108016		Set pinΦ8x16	2	
16	3S22060251		Bolt M6x25	6	
17	3S7106303		Bearing 6303	1	

## UP154(UP90)零部件配置表

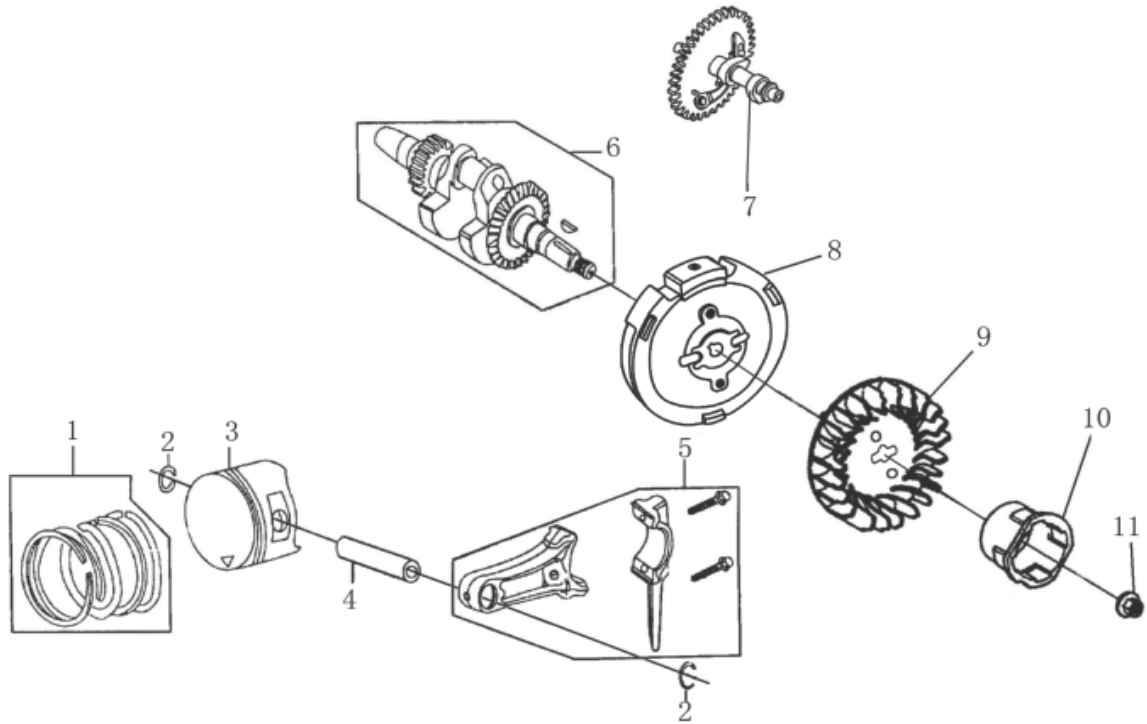
### 2. 气缸盖、气缸盖罩总成 CYLINDER HEAD & CYLINDER HEAD COVER ASSY



序号	编号 CODE	英文名称 DESCRIPTION	数量 QTY.	
1	3S22060141	Bolt M6x14	4	
2	3A1002100	Cylinder head cover	1	
3	3A1002006	Gasket,cyl. head cover	1	
4	3S22060181	Bolt M6x18	4	
5	3A1002200	Valve rocket assy	1	
6	3A1002010	Spring seat	2	
7	3A1002012	Valve spring	2	
8	3A1002007	Turn back oil ban	1	
9	3S22080501	Bolt M8x50	4	
10	3S25080341	Stud AM8x34	2	
11	3A1002017	Cylinder head assy	1	
12	3A1002018	Cylinder head gasket	1	
13	3S5108016	Set pinΦ8x16	2	
14	3A1002019	Exhaust valve	1	
15	3A1002020	Intake valve	1	
16	3A1002022	Tappet	2	
17	3A1002023	Pusher	2	
18	3S25060911	Stud AM6x91	2	
19	3A1002024	Lead wind cover	1	
20	3S22060101	Bolt M6x10	1	
21	3A1004016			

## UP154(UP90)零部件配置表

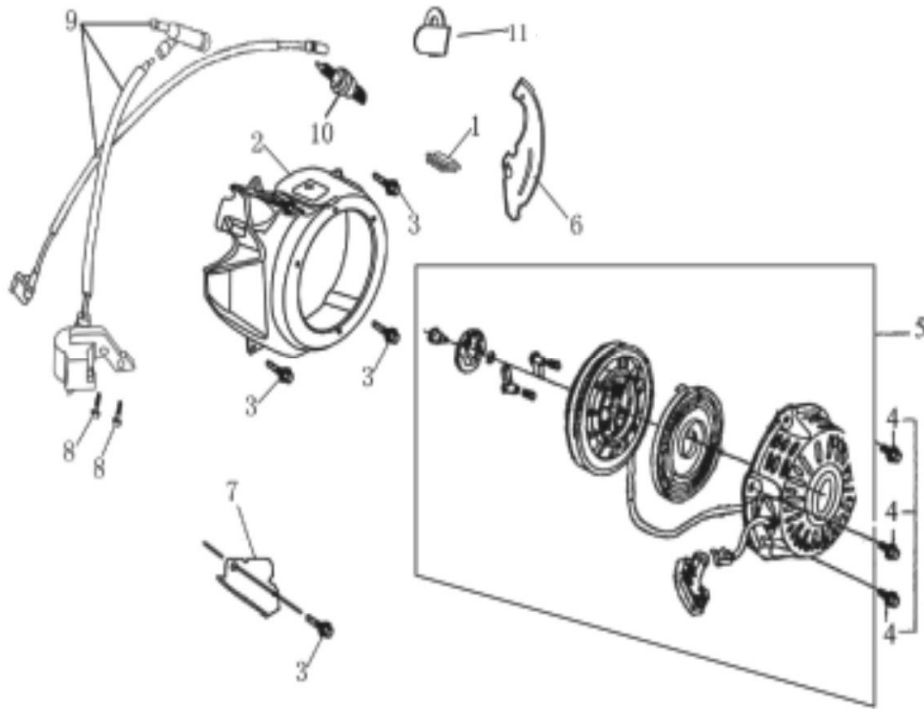
### 3. 曲轴、活塞连杆、凸轮轴总成、飞轮组件 CRANKSHAFT, PISTON, CONNECTING, CAMSHAFT ASSY & FLYWHEEL ASSY



序号	编号 CODE	英文名称 DESCRIPTION	数量 QTY.
1	3A1003100	Piston ring set	1
2	3A1003002	Piston pin circlip	2
3	3A1003003	piston	1
4	3A1003004	Piston pin	1
5	3A1003200	Connect rod assy	1
6	3A1003300C	Cranshaft assy	1
7	3A1003400	Camshaft assy	1
8	3A1003008	Flywheel	1
9	3A1003009	Flywheel fan	1
10	3A1003010	Starting flange	1
11	3A1003011	Nut M12×1.5	1

## UP154(UP90)零部件配置表

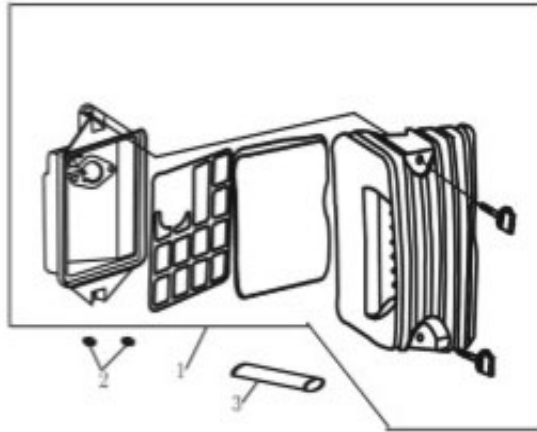
### 4. 反冲起动机部件 点火线圈组件 RECOIL STARTER & IGNITION COIL ASSY



序号	编号	英文名称	数量	备注
	CODE	DESCRIPTION	QTY.	REMARK
1	3A1004015	rubber jam	1	选单机导风罩时用
	3A1004002C	Fan hood		
3	3S22060141	Bolt M6x14	5	
4	3S22060121	Bolt M6x12	3	
	3A1004100C	Recoil starter assy		
6	3A1004006	Retral baffle plate	1	
7	3A1004007	anterior baffle plate	1	
8	3S22060201	Bolt M6x20	2	
9	3A1004300	Ignition coil assy	1	
10	3A1004013	Spark plug	1	
11	3A1004014	plaque	1	

# UP154(UP90)零部件配置表

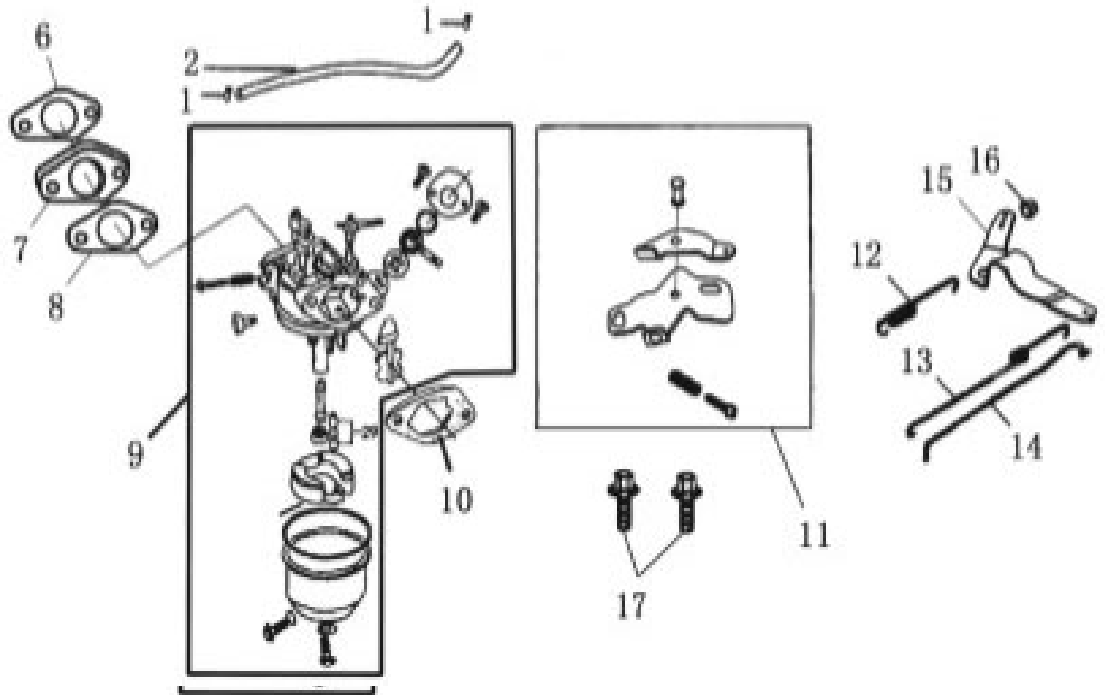
## 5. 空气滤清器总成 AIR CLEANER ASSY



序号	编号	英文名称	数量	
	CODE	DESCRIPTION	QTY.	
1	3A1005100	Air cleaner assy	1	
2	3S12061	Nut M6	2	
3	3A1005004	Air duck	1	
机电	012011000101	Air cleaner Element	1	

# UP154(UP90)零部件配置表

## 6. 燃油供油系统 FUEL SUPPLY SYSTEM



序号	编号 CODE	英文名称 DESCRIPTION	数量 QTY.	备注 REMARK
1	3A2006001	Pipe clamp	2	
2	3B0111007	Fuel pipe	1	
6	3A1006012	Inlet gasket	1	
7	3A1006011	Connecting block	1	
8	3A1006012	Carburetor gasket	1	
9	3A1006200	Carburetor assy	1	
10	3A1006014	Gasket,air cleaner	1	
11	3A1006300A	Regulating control assy	1	
12	3A1006016A	Back spring	1	
	3A1006016B			
13	3A1006017	Regulating spring	1	
14	3A1006018	Pulling rod	1	
15	3A1006020	Regulating arm	1	
16	3S12061	Nut M6	2	
17	3S22060081	Bolt M6x8	2	