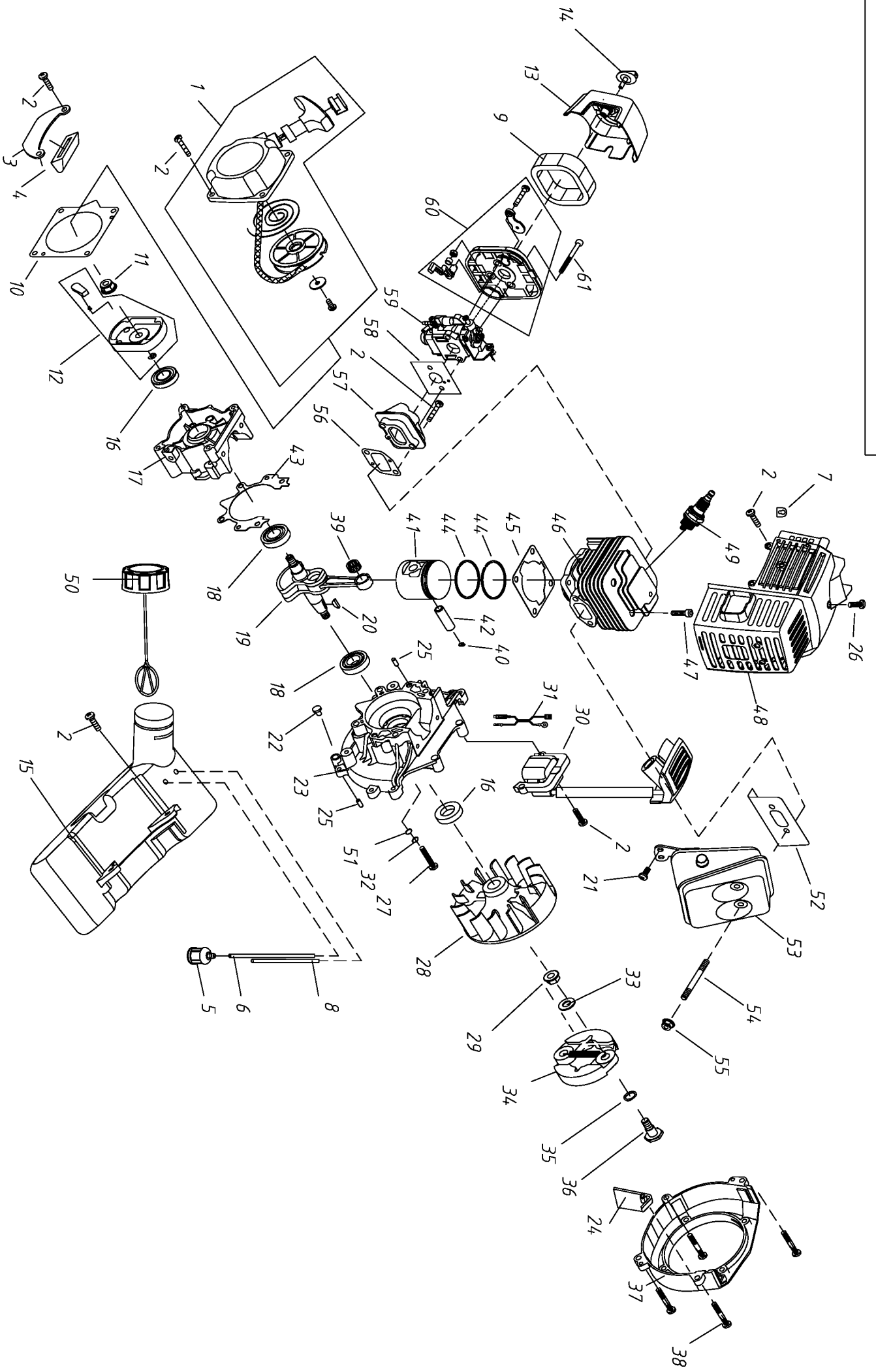


IE36F-2GA 汽油机爆炸图
IE36F-2GA GASOLINE ENGINE EXPLOSIVE PICTURE



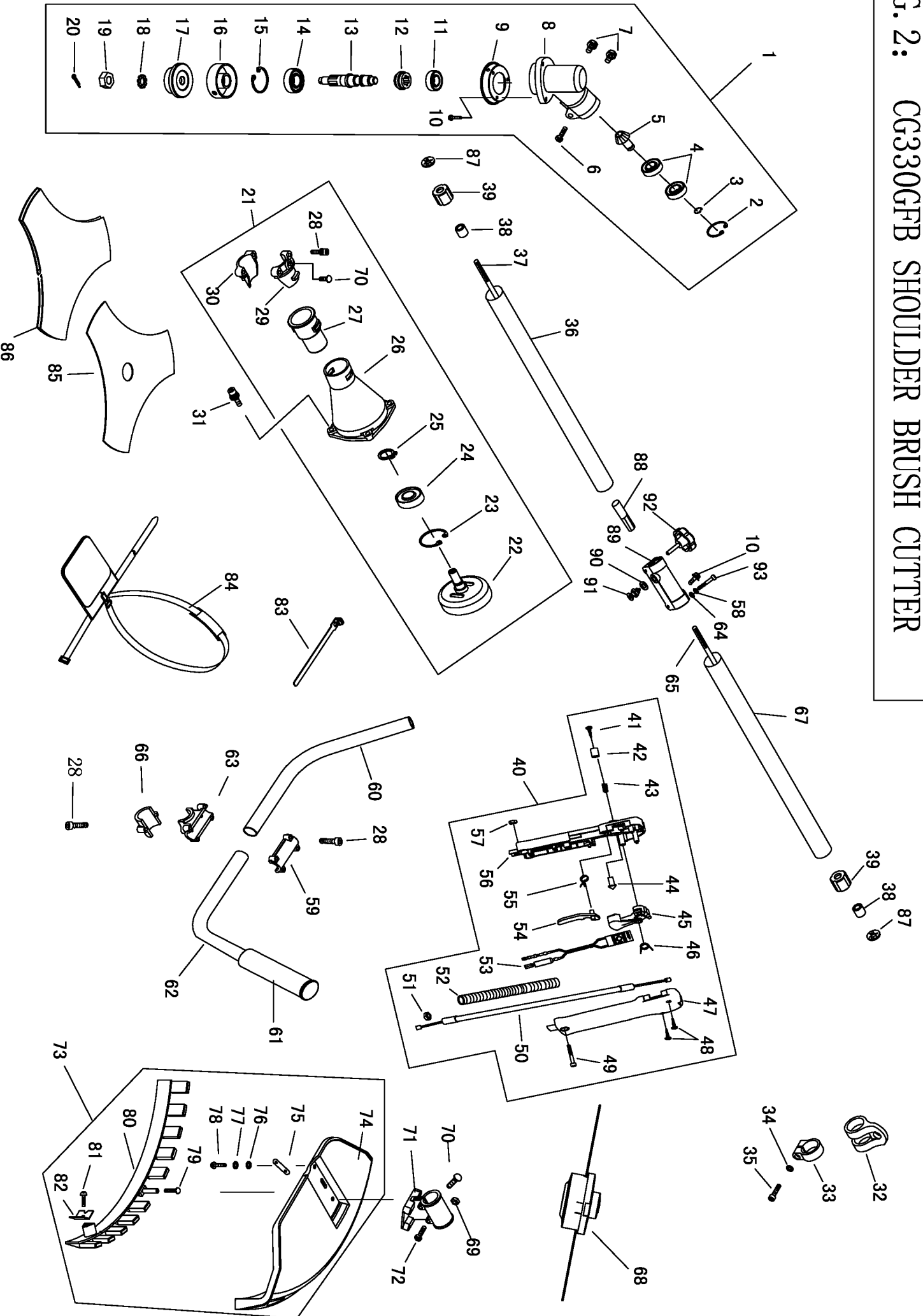
1E36F-2GA

Appendix List Engine Parts of Attached Fig.

Item	Part No.	ERP	Part Name	Qty
1	02050070030	7972	Starter	1
2	03020020012	1848	Screw 5*20	10
3	02020160431	2870	Bracket, fuel tank	1
4	02080020087	1403	Rubber Cover	1
5	02050120002	0554	Cleaner Cover	1
6			INLET FUEL PIPE	1
7	02080020012	1622	Retaining Sleeve	1
8			OUTLET FUEL PIPE	1
9	02090010011	0745	Cleaner Outside Cover	1
10	02010030018	0736	Gasket	1
11	03030010017	5610	Nut M8 (8*1.25)	1
12	02050100006	7973	Start Reel Ass'y	1
13	70030040108	9117	Filter Net	1
14	02110030079	4452	Knob	1
15	70050030074	9118	Fuel Tank	1
16	03100010009	0047	Oil seal 12X22X7	2
17	70070050042	0088	Crank Case	1
18	03090010034	2714	Bearing 6201/P5	2
19	02020120031	0094	Crank Shaft	1
20	03070010002	4563	Key 3*5*13	1
21	03020020053	2323	Screw M5*12	1
22	02070020046	1947	Gasket Fuel Tank	2
23	70070050043	0087	Crank Case	1
24	70030030026	7881	Flash Pan	1
25	03060010004	4569	Pin4*10	4
26	03020020027	3004	Screw 5*16	1
27	03010010046	4373	Screw M5*30	4
28	02050030044	1726	Magneto Rotor Comp.	1
29	03030050010	5485	Retaining Nut M8*1.25	1
30	02050030115	9119	Ignition Coil Comp.	1

31	02050050181	2104	Cord Comp.	1
32	03050010015	7813	Washer GB93 5	4
33	03040050048	4546	Washer Ø 8	2
34	02050160006	5800	Expander Combination	1
35	03040050043	4549	Washer	2
36	02020130003	0737	Screw Pin	2
37	80010020052	2947	Fan Cover	1
38	03020030005	1207	Screw 5*20	4
39	03090020020	0097	Bearing	1
40	02020030016	4553	Ring	2
41	02010020009	0099	piston	1
42	02020020006	0098	Piston Pin	1
43	02070010121	0106	Gasket	1
44	02020020006	0111	Piston Ring	2
45	02070010034	0105	Gasket	1
46	70070130017	6572	Cylinder	1
47	03010010061	5711	Screw M5*20	4
48	70030030420	9484	Guide Cover Ass'y	1
49	03130010013	3480	Spark Plug	1
50	02110020026	7560	Lid Ass'y	1
51	03040020020	6536	Washer Ø 5	4
52	02070010146	0102	Gasket	1
53	02050010028	0101	Muffler	1
54	03010050003	5873	Bolt	2
55	03030050007	4476	Retaining Nut M5	2
56	02070010092	0100	Gasket	1
57	70030020011	1859	Admitting Pipe	1
58	02070010072	0714	Gasket	1
59	02050020023	3684	Carburetor	1
60	70080120007	1355	Cleaner Inside Cover	1
61	03020020044	5483	SCREW M5X55	2

FIG. 2: CG330GFB SHOULDER BRUSH CUTTER



(T336 BRUSH CUTTER)

Ser. NO.	Part Name	ERP	Part Name	Qty
		Erp NO.		
1-1		1987	GEAR CASE ASS'Y	1
1-2	03120020002	4536	Stop Ring 26	1
1-3	03120010001	4531	Stop Ring 10	1
1-4	03090010015	0762	Bearing 6000-2RS/P5	2
1-5	02020090072	2705	Pinion	1
1-6	03020030014	2322	Screw M5×25	1
1-7	03020030021	7550	Bolt M6×12	2
1-8	80010040019	2955	Gear Case	1
1-9	02020160080	2122	Safety Guard	1
1-10	03020020053	2323	Screw M5×12	4
1-11	03090010013	0759	Bearing 6000/P5	1
1-12	02020090020	1615	Gear	1
1-13	02020090035	2704	Gear Shaft	1
1-14	03090010014	0761	Bearing 6002-2RS/P5	1
1-15	03120020001	4540	Stop Ring 32	1
1-16	02020100020	0765	Holder A	1
1-17	02020100012	4799	Holder B	1
1-18	03040050014	4544	Washer 10	1
1-19	03030010007	4380	Left Nut M10×1.25	1
1-20	03060020004	4581	Pin 2×16	2
1-21	61270020002		CLUTCH COMP.	1
1-22	02020050026	1642	CLUTCH DRUM COMP.	1
1-23	03120020004	4541	Stop Ring 35	1
1-24	03090010012	0758	Bering 6202-2RS/P5	1
1-25	03120010005	4534	Stop Ring 15	1
1-26	80010030075	0722	Clutch Case	1
1-27	02080020069	1607	Rubber Cover	1
1-28	03010010058	9007	Screw M5×25	8
1-29	80010050068	2959	Clamp B	1
1-30	80010050049	2958	Clamp A	1
1-31	03010010060	9009	Screw M6×20	4
1-32	70030180133	1634	Harness Clamp	1
1-33	70030160007	1635	Clamp	1
1-34	03040030002	4413	Washer 5	1
1-35	03010060053	3310	Screw M5×20	1
1-36	02010010095	6116	Pipe(26*1.5*718)	1
1-37	02020060034	6121	Drive Shaft (703mm)	1
1-38	02040010003	0778	Oil-Bearing (8*14*14)	6
1-39	02080020006	0751	Rubber Cover	6
1-40	70080080015			1
1-41	03010040037	6495	SCREW ST2.9×10	1
1-42	70030070016	1245	BUTTON	1

1-43	02020110044	5796	SPRING	1
1-44	70030070092	1243	LOCKPIN	1
1-45	70030070062	1244	HANDGRIP	1
1-46	02020110028	5797	SPRING	1
1-47	70030070167	1199	BOX, RIGHT	1
1-48	03010040029	4318	SCREW ST2.9×18	2
1-49	03010010064	9328	SCREW M5*27	1
1-50	02050040048	7553	CABLE COMP.	1
1-51	03030010004	1209	NUT M6	2
1-52	01040030002	0010	TUBE	1
1-53	02050050101	1400	STOP BUTTON COMP.	1
1-54	70030070202	1242	HANDGRIP	1
1-55	02020110029	5788	SPRING	1
1-56	70030070219	1246	BOX, LEFT	1
1-57	03030060008	4319	NUT M5	1
1-58	03040020015	3232	washer 6	1
1-59	80010050106	2979	CAP, UPPER	1
1-60	02020160511	3767	LEFT HANDGRIP	1
1-61	02080020097	1064	RUBBER COVER	1
1-62	02020160461	3768	RIGHT HANDGRIP	1
1-63	80010050059	3364	BRACKET	1
1-64	03050010012	5081	washer6	1
1-65	02020060036	6512	Drive Shaft (846mm)	1
1-66	80010050078	3363	CAP LOWER	1
1-67	02010010072	6494	Pipe(26*1.5*798)	1
1-68	02050220013	7007	Nylon Cutter Head	1
1-69	03030010013	4419	GB6170 M5	2
1-70	03010010056	9008	Screw M5*14	2
1-71	70030030523	9208	Bracket	1
1-72	03010010062	5711	Screw M5*20	2
1-73	61270070012	3844	Harness Ass'y	1
1-74	70030030522	9209	Safety Guard	1
1-75	02010030001	3326	Spacer	2
1-76	03040020020	6536	Washer 5	4
1-77	03050010015	7813	Washer 5	4
1-78	03010110119	9211	Screw M5×20	4
1-79	03010040027	4264	Screw ST4.2×16	1
1-80	70030030056	1275	Blade	1
1-81	03010040025	4262	Screw ST4.2×13	2
1-82	02020070037	3645	Blade	1
1-83	02110030022	0013	Wire Clamp Band	2
1-84	02050060019	4231	Harness Ass'y	1
1-85	02060040025	7245	Blade	1
1-86	02110030004	3324	Blade guard	1
1-87	02040030003	8234	lock	2
1-88	02020160293	6114	shaft jion	1
1-89	70070090016	6106	pipe jion	1
1-90	03040020007	4473	washer 10	1
1-91	03060030005	5075	pin	1
1-92	70030180089	6460	bolt	1
1-93	03010010024	1169	bolt(M6×35)	1