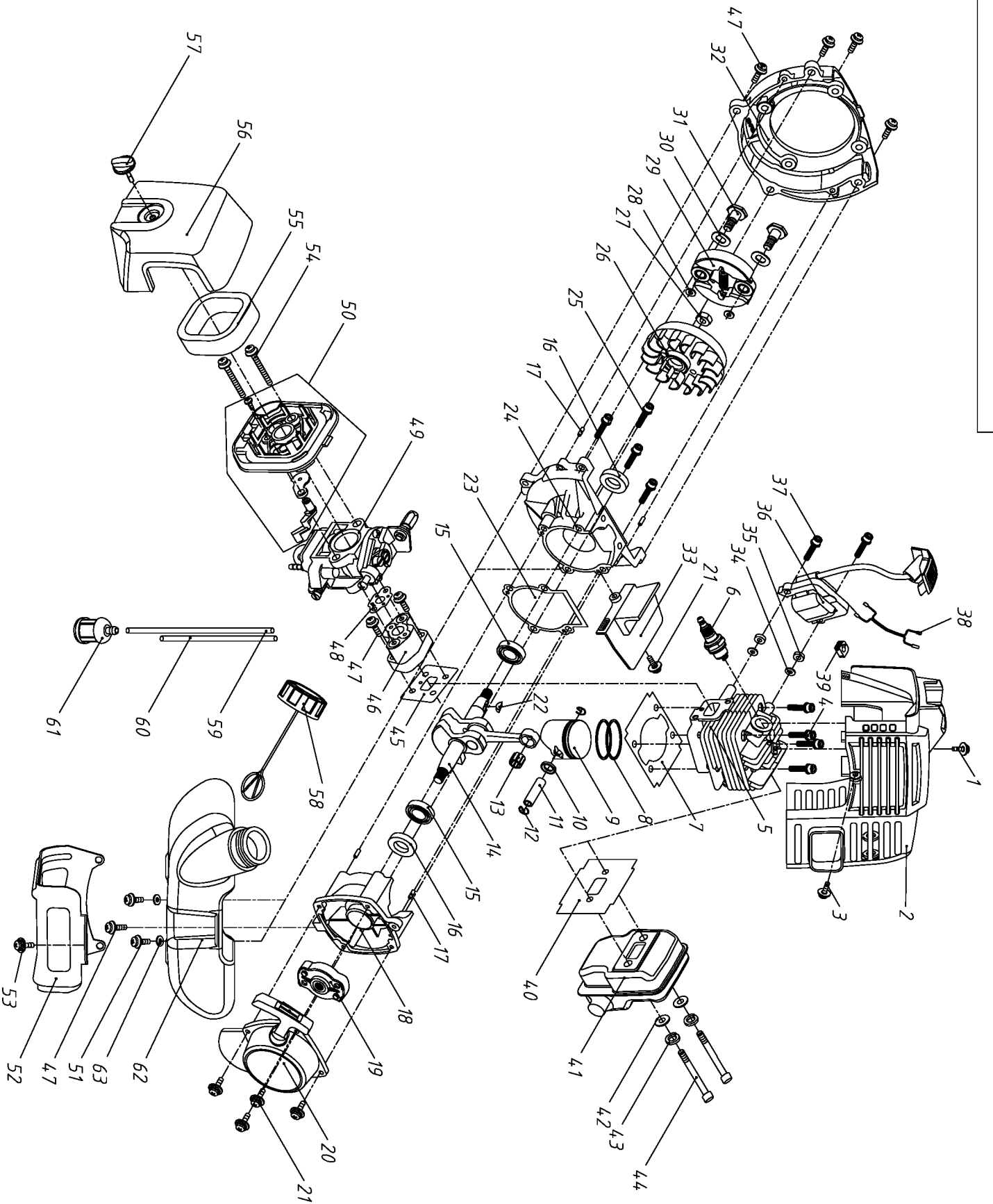


1E34FGA 分解图
1E34FGA GASOLINE ENGINE EXPLOSIVE PICTURE



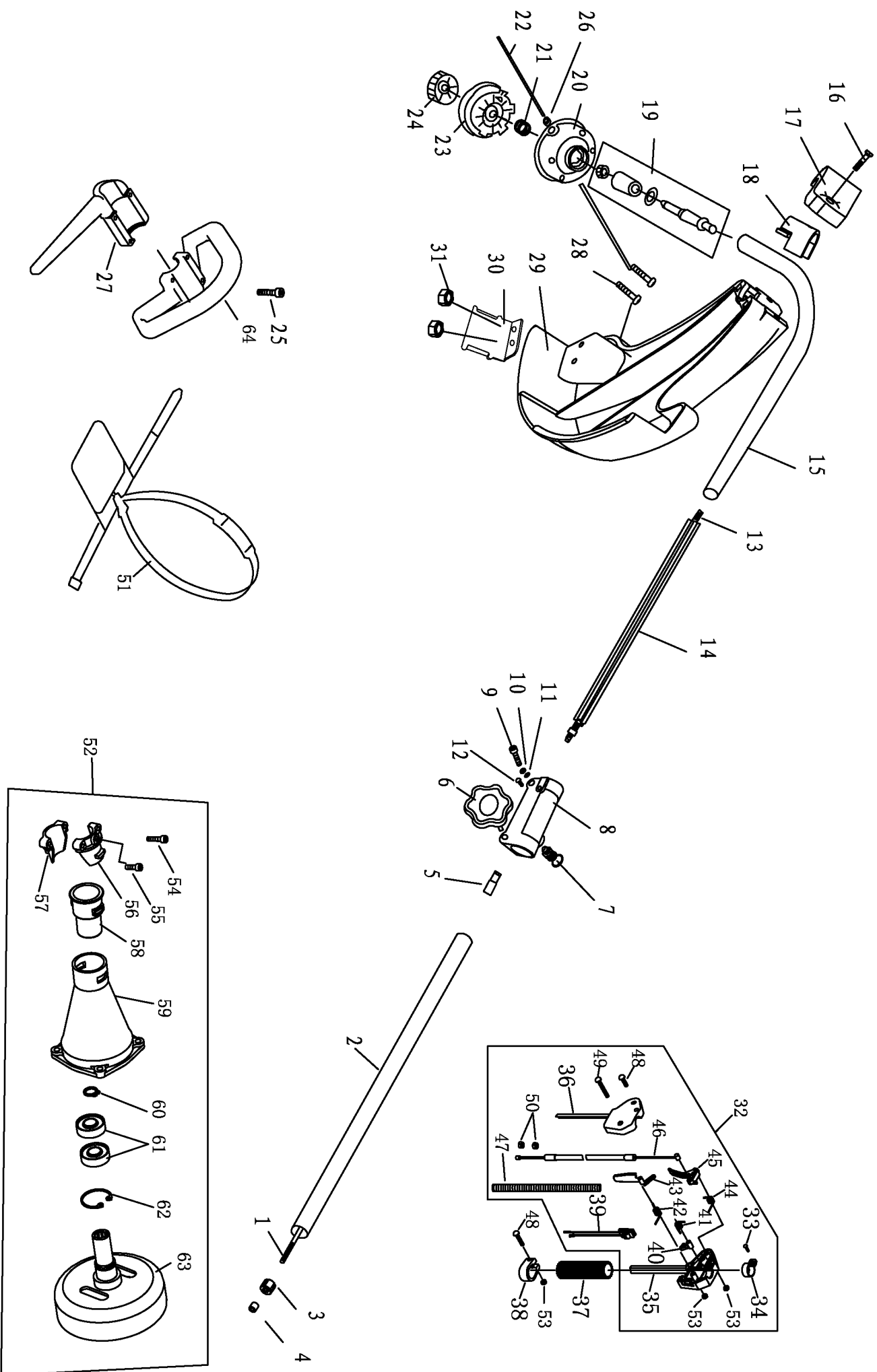
1E34FGA /T262

Appendix List Engine Parts of Attached Fig.

Item	Part No.	ERP	Part Name	Qty
1	03010110007	4366	SCREW M5X12	1
2	70030030426	9483	COVER	1
3	03020020055	4265	SCREW ASSY M4X12	1
4	03010010062	5711	SCREW M5X20	4
5	70070130032	9317	GASKET, cylinder	1
6	03130010013	3480	PLUG	1
7	02070010032	0501	GASKET, cylinder	1
8	02020020003	0508	RING, piston	2
9	02010020005	0500	PISTON	1
10	02020150002	0512	STOP RING	2
11	02020010004	0513	PIN, piston	1
12	02020030017	4555	PISTON PIN CIRCLET	2
13	03090020018	0498	NEEDLE, bearing	1
14	02020120023	0499	CRANKSHAFT COMP.	1
15	03090010028	0473	BALL-BEARING	2
16	03100010009	0047	OIL SEAL	2
17	03060010002	4567	PIN B3X10	4
18	70070050038	0493	REAR HALF CRANKCASE	1
19	02050100015	3620	STARTER PULLEY ASSY	1
20	02050070009	4670	STARTER	1
21	03020020029	4360	SCREW ASSY M4X16	5
22	03070010001	4562	KEY	1
23	02070010119	0505	GASKET, crankcase	1
24	70070050039	0492	FRONT HALF CRANKCASE	1
25	03010010058	9007	SCREW M5X25	4
26	02050030018	1957	MAGNETO ROTOR	1
27	03030020003	4243	NUT M8X1	1
28	03040050052	4500	WASHER 6X15X1.2	2
29	02050160002	2492	CLUTCH ASSY	1
30	03040050042	4548	WASHER	2
31	02020130001	0510	CLUTCH STEP SCREW	2
32	80010020078	9445	FAN COVER	1
33	070030030164	0448	GUIDE PLATE	1
34	03040010008	4451	WASHER 4	2
35	02070010048	3477	Space, housing	2
36	02050030124	9319	MAGNETO ROTOR	1
37	03020020054	4242	SCREW M4X20	2
38	02050050213	9425	STOP CORD COMP.	1
39	02080020012	1622	Retaining Sleeve	1
40	02070010162	0502	GASKET, muffler	1
41	02050010015	0506	MUFFLER	1
42	03040020020	6536	WASHER 5	2
43	03050010015	7813	WASHER 5	2
44	03010010051	4247	SCREW M5X55	2
45	02070010019	0503	WASHER, cylinder side	1
46	070030020016	0741	INLET MANIFOLD	1
47	03020020012	1848	SCREW ASSY M5X20	6

48	02070010071	0518	GASKET, carburetor side	1
49	02050020101	2719	CARBURETOR	1
50	070080120007	1335	CLEANER OUTSIDE COVER	1
51	03020010012	4261	SCREW M5X16 GB9074.3	2
52	02020160564	9400	Bracket, fuel tank	1
53	03020020053	2323	SCREW M5X12	1
54	03020020044	5483	SCREW ASSY M5X55	2
55	02090010011	0745	FILTER	1
56	070030040123	9318	CLEANER OUTSIDE COVER	1
57	02110030079	4452	Knob	1
58	02110020026	7560	FUEL TANK CAP ASSY	1
59			INLET FUEL PIPE	1
60			OUTLET FUEL PIPE	1
61	02050120002	0554	CLEANER	1
62	070050030094	9315	FUEL TANK	1
63	03040050022	4109	WASHER 5	1

FIG. 2 CG260GEB BRUSH CUTTER



T262

(THE SPARE PARTS LIST OF BRUSH CUTTER MACHINE)

Ser. NO.	NEW part NO.	ERP	Part Name	Qty
2-1	02020060036	6112	Drive shaft	1
2-2	02010010072	6111	Pipe	1
2-3	02080020006	0751	Rubber cover	3
2-4	02040010003	0778	oil-bearing	3
2-5	02020160293	6114	Join	1
2-6	70030180089	6460	Screw	1
2-7	03060030005	5075	Pin	1
2-8	70070090016	6106	Pipe join	1
2-9	03010010024	1169	Screw M6X35	1
2-10	03050010012	5081	Flexible washer 6	1
2-11	03040020015	3232	Flap washer 6	1
2-12	03020020025	2323	Screw M5X12	1
2-13	02050080003	6110	sof shaft	1
2-14	02050080009	2013	Short bracing	1
2-15	02010010123	6109	Bending pipe	1
2-16	03020030013	2322	Screw M5X25	2
2-17	70030030084	6241	Holder	1
2-18	02020160208	6445	Shackle	1
2-19	02050080006	5725	Flexible shaft jioning	1
2-20	70030140047	5737	Chest comp	1
2-21	02020110038	5729	Spring	1
2-22			Nylon rope	1
2-23	70030140019	5738	Chest comp	1
2-24	70030180257	5739	Hatch	1
2-25	03010010048	4282	SCREW M5X35	4
2-26	02020160343	5728	Nesting	2
2-27	70030160031	7214	HANDLE COVER	1
2-28	03020010011	4261	Screw M5X16	2
2-29	70030030233	6240	Safety guard	1
2-30	02020070008	1649	Guard	1

2-31	03030060007	4319	Nut M5	2
2-32	61270040031	8014	Lever ass'y	1
2-33	03010010008	4356	Screw M5X14	1
2-34	02020160213	2044	Clamp	1
2-35	70030180124	1124	Box right	1
2-36	70030180033	1123	Box left	1
2-37	02080020053	2045	Rubber cover	1
2-38	70030180090	1031	Clamp	1
2-39	02050050086	5706	Stop switch	1
2-40	70030070047	1287	Tine	1
2-41	02020110039	5789	Spring	1
2-42	02020110041	5787	Spring	1
2-43	70030070181	5702	Safety lever	1
2-44	02020110040	5786	Spring	1
2-45	70030070080	5701	Throttle lever	1
2-46	02050040045	7554	Cable comp	1
2-47	01040030002	0010	Tube	1
2-48	03010010021	1173	Screw M5X20	2
2-49	03010010045	4373	Screw M5X30	1
2-50	03030010003	1209	Nut M6	2
2-51	02050060019	4231	Harness ass'y	1
2-52	61270020001	1988	Clutch comp]	1
2-53	03030060008	4319	NUT M5	3
2-54	03010010058	9007	Screw M5×25	2
2-55	03020020025	2323	Scerw M5X12	1
2-56	80010050049	2958	Clamp A	1
2-57	80010050068	2959	Clamp B	1
2-58	02080020069	1607	Rubber	1
2-59	80010030039	2951	Clutch case	1
2-60	03120010005	4534	Stop ring 15	1
2-61	03090010012	0758	Bearing (6202-2RS/P5)	2
2-62	03120020004	4541	Stop ring 35	1
2-63	02020050019	1606	Clutch drum comp	1
2-64	70030160079	7213	HANDLE ASS'Y	1