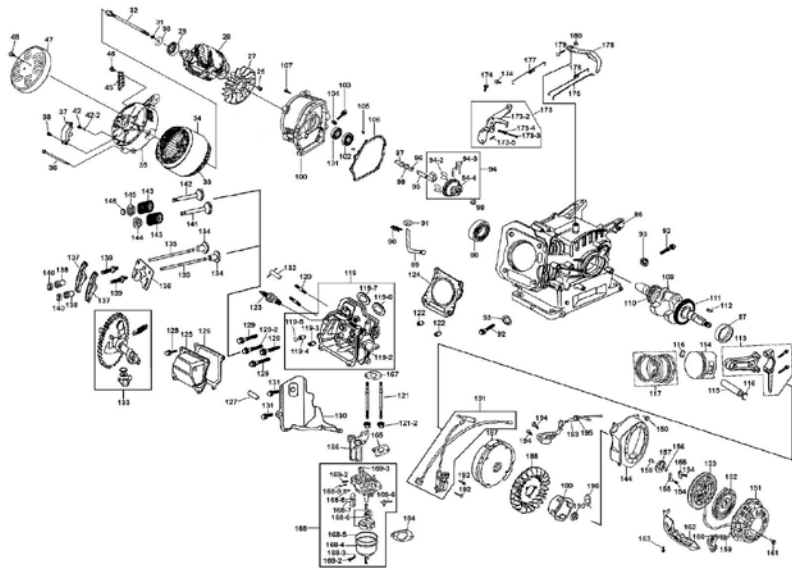


| Diag. | Code | ERP No. | English Description | Qty. |
|-------|-----------|--------------|-----------------------------|------|
| 2 | 25001001 | 301061000100 | Exhaust gasket | 1 |
| 3 | 25001100 | 306140240110 | Muffler assembly | 1 |
| 3-2 | | | Heat Shroud | 1 |
| 5 | LMB08 | | Flange hd hex. nut | 2 |
| 10 | LSB06012 | | Flange head bolt | 4 |
| 11 | TD06 | | Spring washer | 4 |
| 12 | PD06 | | Washer | 4 |
| 13 | 25001004 | 306160240200 | Muffler support A | 1 |
| 14 | LSB08020 | | Flange HD Hex. Bolt | 1 |
| 15 | TD08 | | Spring washer | 1 |
| 16 | PD08 | | Washer | 1 |
| 17 | 25001005 | 306160240500 | Muffler support B | 1 |
| 18 | LSB08020 | | Flange HD Hex. Bolt | 1 |
| 19 | TD08 | | Spring washer | 1 |
| 20 | PD08 | | Flat washer | 1 |
| 21 | LSB06012 | | Flange hd hex. bolt | 1 |
| 22 | TD08 | | Spring washer | 1 |
| 23 | PD08 | | Flat washer | 1 |
| 25 | LSB08025 | | Flange hd hex. bolt | 4 |
| 26 | LSB05012 | | Tapping screw | 2 |
| 27 | 25002002 | 304018016011 | Alternator fan | 1 |
| 28 | 300021022 | 204411016003 | Rotor | 1 |
| 29 | 250020032 | 304067020202 | Ball bearing | 1 |
| 30 | PDC08 | 304070160001 | Washer | 1 |
| 31 | TDA08 | 432080000100 | Spring washer | 1 |
| 32 | LZA082302 | 304033024000 | Hex. bolt | 1 |
| 33 | 300022002 | 204341004003 | Stator assembly | 1 |
| 34 | 300020042 | 304029110000 | Stator protector | 1 |
| 35 | 250020052 | 304023016000 | Rear cover | 1 |
| 36 | LSB06145 | 304037015500 | Flange hd hex. bolt | 4 |
| 37 | 250023002 | 304026102000 | AVR | 1 |
| 37-1 | 250020062 | 304020016000 | Carbon brush | 1 |
| 37-2 | LSB05012 | 402050120160 | Flange hd hex. bolt | 1 |
| 38 | LSB05012 | 402050120160 | Flange hd hex. bolt | 2 |
| 42 | LSB05012 | 402050120160 | Flange hd hex. bolt | 1 |
| 42-2 | TD08 | 432050000100 | Spring washer | 1 |
| 45 | 25002400 | 304053000000 | Terminal block | 1 |
| 46 | LSB05012 | 402050120160 | Flange hd hex. bolt | 2 |
| 47 | 25002007 | 304024016000 | End cover | 1 |
| 48 | LSB05012 | 402050120160 | Flange hd hex. bolt | 2 |
| 49 | 250031002 | 306140114204 | Frame | 1 |
| 50 | LDA06012 | | Pan hd screw | 4 |
| 51 | LMA08 | | Hex. nut | 4 |
| 52 | TDA08 | 431080000200 | Washer | 4 |
| 53 | 25003200A | 211061300100 | Shock absorber (engine) | 4 |
| | 25003200B | 211061300200 | Shock absorber (alternator) | |
| 54 | TDA08 | | Spring washer | 8 |
| 55 | LSB08045 | 402080450180 | Flange hd hex. bolt | 2 |
| 56 | LMA08 | | Flange hd hex. nut | 4 |
| 58 | 25004001 | 307030230200 | Fuel tank cap | 1 |
| 59 | 25004002 | | Seal for Cap | 1 |
| 60 | 25004003 | 306020070300 | Fuel Strainer | 1 |
| 61 | 25004100 | 306160230145 | Fuel tank ass'y | 1 |
| 62 | 25004004 | 307030230300 | Fuel float | 1 |
| 63 | 25004005 | 307030230301 | Fuel level Indicator | 1 |
| 63-2 | | | Fuel indicator cover | 1 |
| 63-3 | | | Top gasket cover | 1 |
| 63-4 | | | Glass | 1 |
| 63-5 | | | Gasket for glass | 1 |

| | | | | |
|------|---------------|---------------|-------------------------------|---|
| 64 | LDA05010 | | Countersunk hd screw | 2 |
| 65 | LSB06012 | | Flange hd hex. bolt | 4 |
| 66 | PDB06 | | Washer | 4 |
| 67 | 25004006 | 306360230600 | Collar | 4 |
| 68 | 25004007 | 306360310100 | Rubber grommet | 4 |
| 69 | LMA06 | | Hex. nut | 4 |
| 69-2 | | | Washer | 4 |
| 69-3 | | | Lock washer | 4 |
| 70 | 25004200 | 306020071100 | Fuel shut-off | 1 |
| 70-2 | | | Special nut | 1 |
| 70-3 | | | Rubber seal with flange | 1 |
| 71 | 25004008 | 301061100400 | Fuel pipe | 1 |
| 72 | 25004009 | 301061100600 | Clip | 2 |
| 73 | 411050200120 | 411050200120 | Special screw | 4 |
| 74 | 5022001402201 | 5022001402201 | Power indicator light | 1 |
| 75 | 305215003301 | 305215003301 | Engine on/off switch | 1 |
| 76 | 305160045301 | 305160045301 | Voltmeter | 1 |
| 77 | 305022501601 | 305022501601 | Socket | 1 |
| 78 | 305022501601 | 305022501601 | Socket | 1 |
| 79 | 305280000002 | | Ground terminal | 1 |
| 80 | 305270000101 | 305270000101 | DC positive terminal | 1 |
| 81 | 305272000101 | 305272000101 | DC negative terminal | 1 |
| 82 | 5015001000001 | 5015001000001 | Fuse | 1 |
| 83 | 305174763101 | 305174763101 | Circuit breaker | 1 |
| 84 | 305495000101 | 305495000101 | Rear control panel cover | 1 |
| 85 | 2050101140067 | 2050101140067 | Control panel ass'y | 1 |
| 86 | 200010012 | 301060100100 | Crankcase | 1 |
| 87 | YF254106 | 462254106300 | Oil seal | 1 |
| 88 | ZCA6205 | 463620560000 | Ball bearing6205 | 1 |
| 89 | 16001002 | 301060100200 | Governor arm shaft | 1 |
| 90 | 16001003 | 301060100300 | Lock pin | 1 |
| 91 | 16001004 | | Washer | 1 |
| 91-2 | 431060000101 | 431060000101 | O-ring | 1 |
| 92 | LSB10015 | 301060101001 | Drain plug | 2 |
| 93 | 16001005 | 211010601200 | Drain plug washer | 2 |
| 94 | 16001100 | 301060110000 | Governor kit | 1 |
| 94-2 | | | Governor weight | 2 |
| 94-3 | | | Governor weight pins | 2 |
| 94-4 | | | Governor gear | 1 |
| 95 | 16001006 | 301060100600 | Governor shaft | 1 |
| 96 | 16001007 | 301060100700 | Governor shaft clip | 1 |
| 97 | 16001008 | 301060100800 | Governor | 1 |
| 98 | 16001004 | 301060100900 | Washer | 2 |
| 100 | 160020012 | 301060200103 | Crankcase cover | 1 |
| 101 | YF254106 | 462254106200 | Oil seal | 1 |
| 102 | ZCA6205 | 463620560000 | Ball bearing | 1 |
| 103 | 16002002 | 301060210000 | | |
| 104 | 16002003 | | Oil filler cap (with gasket) | 2 |
| 105 | XA0814 | 448080014050 | Sleeve | 2 |
| 106 | 16002004 | 301060200400 | Case cover gasket | 1 |
| 107 | LSC080335 | 402080350160 | Flange hd hex. bolt | 6 |
| 109 | 200031012 | 301060310107 | Crankshaft | 1 |
| 110 | 160031022 | | Timing driving gear (in the d | 1 |
| 111 | 16003103 | 301060110000 | Drive gear | 1 |
| | 300010002 | 2013207222003 | Engine LPT160V7 | |
| 112 | YJA0418 | 454004001800 | Woodruff key | 1 |
| 113 | 16003200 | 301060320000 | Complete connecting rod | 1 |
| 114 | 20003004 | 301130300400 | Piston | 1 |
| 115 | 16003005 | 301060300500 | Piston pin | 1 |
| 116 | 16003006 | 301060300600 | Piston pin clip | 1 |
| 117 | 16003300 | 301060330000 | Piston ring set | 1 |
| 119 | 20004100 | 301060410000 | Cylinder head ass'y | 1 |

| | | | | |
|-------|--------------|--------------|-----------------------------|---|
| 119-2 | | | Cylinder head | 1 |
| 119-3 | | | Intake valve guide | 1 |
| 119-4 | | | Exhaust valve guide | 1 |
| 119-5 | | | Valve guide clip | 2 |
| 119-6 | | | Intake valve seat | 1 |
| 119-7 | | | Exhaust valve seat | 1 |
| 120 | LZA08034 | 444080380120 | Threaded stud | 2 |
| 121 | 16004007 | 445060830120 | Threaded stud | 2 |
| 121-2 | LSB06010 | 402060100160 | Flange hd hex. Nut M6*10 | 2 |
| 122 | XA1016 | 448100016050 | Sleeve | 2 |
| 123 | 16004200 | 301060420001 | Spark plug F6TC | 1 |
| 124 | 16004001 | 301060400100 | Cylinder head gasket | 1 |
| 125 | 16004300 | 301060430000 | Head cover | 1 |
| 126 | 16004002 | 301060400200 | Head cover gasket | 1 |
| 127 | 16004003 | 301060400301 | Breather tube | 1 |
| 128 | LSB06012 | | Flange hd hex. bolt | 4 |
| 129 | 16004004 | 301060400400 | Flange hd hex. bolt | 3 |
| 129-2 | 16004004 | | Flange hd hex. bolt | 1 |
| 130 | 16004005 | 301060400500 | Wind cover | 1 |
| 131 | LSB06012 | | Flange hd hex. bolt | 2 |
| 132 | 301061330200 | 301061330200 | Spark plug wrench | |
| 133 | 20005100 | 301130510000 | Camshaft assembly | 1 |
| 134 | 20005001 | 301060500100 | Valve pole | 2 |
| 135 | 16005002 | 301060500200 | Push rod | 2 |
| 136 | 16005003 | 301060500300 | Push rod guide plate | 1 |
| 137 | 16005201 | 301060520100 | Valve rocker | 2 |
| 138 | 16005203 | 301060520300 | Pivot nut | 2 |
| 139 | 16005202 | 301060520200 | Rocker pivot pin | 2 |
| 140 | 16005204 | 301060520400 | Special Hex. nut | 2 |
| 141 | 16005004 | 301060500400 | Intake valve | 1 |
| 142 | 16005005 | 301060500500 | Exhaust valve | 1 |
| 143 | 16005006 | 301060500600 | Valve spring | 2 |
| 145 | 16005008 | 301060500800 | Exhaust valve spring seat | 1 |
| 146 | 16005009 | 301060500900 | Valve rotator | 1 |
| 149 | 16006100 | 301060611143 | Fan hood | 1 |
| 150 | LSB06012 | 402060120160 | Flange head hex. bolt | 4 |
| 151 | 16006201 | | Casing | 1 |
| | 16006200 | 301060623141 | Recoil Ass'y | |
| 152 | 16006202 | 3,01061E+11 | Spiral spring | 1 |
| 153 | 16006203 | 3,01061E+11 | Rope reel | 1 |
| 154 | 16006204 | 301060620006 | Ratchet spring | 2 |
| 155 | 16006205 | 3,01061E+11 | Ratchet | 2 |
| 156 | 16006206 | 301060620007 | Friction spring | 1 |
| 157 | 16006207 | 3,01061E+11 | Spring lid | 1 |
| 158 | 16006208 | 3,01061E+11 | Flanged retainer bolt | 1 |
| 159 | 16006209 | 301060620001 | Starter rope | 1 |
| 160 | 16006210 | 301060620003 | Pull handle | 1 |
| 161 | LSB06008 | 404060080120 | Flange head hex. bolt | 3 |
| 162 | 16006001 | 301060600100 | Starter Shroud | 1 |
| 163 | LSB06012 | 402060220160 | Flange head hex bolt M6*22 | 1 |
| 164 | 16007001 | 211010607100 | Air cleaner gasket | 1 |
| 165 | 16007002 | 301060700200 | Carburetor gasket | 1 |
| 166 | 16007003 | 301060700300 | Connecting block | 1 |
| 167 | 16007004 | 301060700400 | Inlet gasket | 1 |
| 168 | 20007200A2 | 301280710001 | Carburetor assembly | 1 |
| 168-A | | | Negative pressure valve | 1 |
| 168-B | | | Dual fuel valve fixed plate | 1 |
| 168-1 | 301280110000 | 301280110000 | Dual fuel valve fixed plate | 1 |
| 168-2 | | | Float chamber drain screw | 2 |
| 168-3 | 16007102 | | Fiber washer | 2 |
| 168-4 | 16007103 | | Float chamber | 1 |
| 168-5 | 16007104 | 301060710701 | Float chamber gasket | 1 |

| | | | | |
|-------|----------|---------------|------------------------------|---|
| 168-6 | 16007105 | 300301060701 | Float | 1 |
| 168-7 | | | Choke butterfly | 1 |
| 168-8 | | 301060710201 | Idle adjustment screw | 1 |
| 168-9 | | | Mixture adjustment screw | 1 |
| 169-2 | | | Spring for mixture adjustmer | 1 |
| 169-3 | | | Throttle unit | 1 |
| 169-6 | | | Choke switch | 1 |
| 170 | 16008200 | 301060820001 | Air filter assembly | 1 |
| 170-2 | | | Air filter housing | 1 |
| 170-3 | | | Filter element housing | 1 |
| 170-4 | | | Air filter cover | 1 |
| 170-5 | | | Flange hd hex. bolt | 4 |
| 170-6 | | | Air filter clamps | 2 |
| 170-7 | | | Air filter housing seal | 1 |
| 171 | 16008107 | 301060820101 | Air filter element | 1 |
| 172 | 16008204 | 301060820102 | Air Filter cover | |
| 173 | | 301060920004 | Speed control assembly | 1 |
| 173-2 | | | Speed support assembly | 1 |
| 173-3 | 16009200 | | Pan head screw | 1 |
| 173-4 | | | Control adjust spring | 1 |
| 173-5 | | | Control pull spring | 1 |
| 174 | LSB06012 | | Flange hd hex. bolt | 2 |
| 175 | 16009001 | 301060900100 | Governor rod | 1 |
| 176 | 16009002 | 301060900200 | Throttle return spring | 1 |
| 177 | 16009003 | 301060900304 | Governor spring | 1 |
| 178 | 16009004 | 301060900400 | Regulating arm | 1 |
| 179 | 16009005 | 301060900500 | Governor arm bolt | 1 |
| 180 | LMB06 | 402060120160 | Flange bolt M6*12 | 1 |
| 187 | 16012100 | 301061210001 | Fly wheel | 1 |
| 188 | 16012001 | 301061200100 | Cooling fan | 1 |
| 189 | 16012002 | 301061200200 | Starter pulley | 1 |
| 190 | 16012003 | 301061200300 | Fly wheel nut | 1 |
| 191 | 16012004 | 301061200401 | Ignition coil | 1 |
| 192 | LSB06028 | | Flange hd hex. bolt | 2 |
| 193 | 16012005 | 301061200501 | Oil sensor | 1 |
| 194 | LSB06014 | | Flange hd hex. bolt | 2 |
| 195 | LMB10 | | Special nut | 1 |
| 196 | 16012007 | 301061200700 | Diode | 1 |
| 197 | KBPC3506 | 5013250620001 | Diode Bridge | 1 |



168-B



