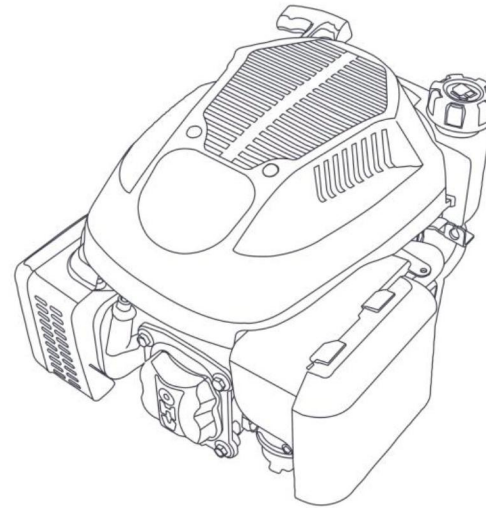
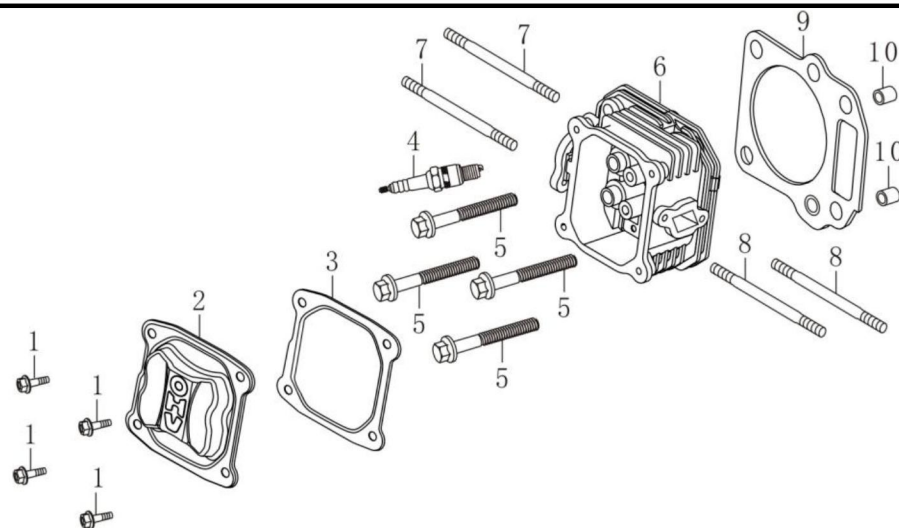


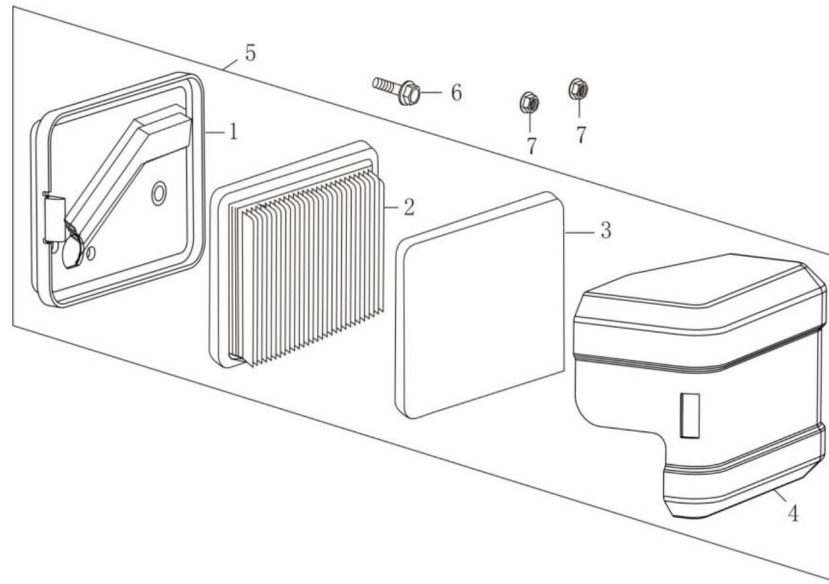
LC1P65FA





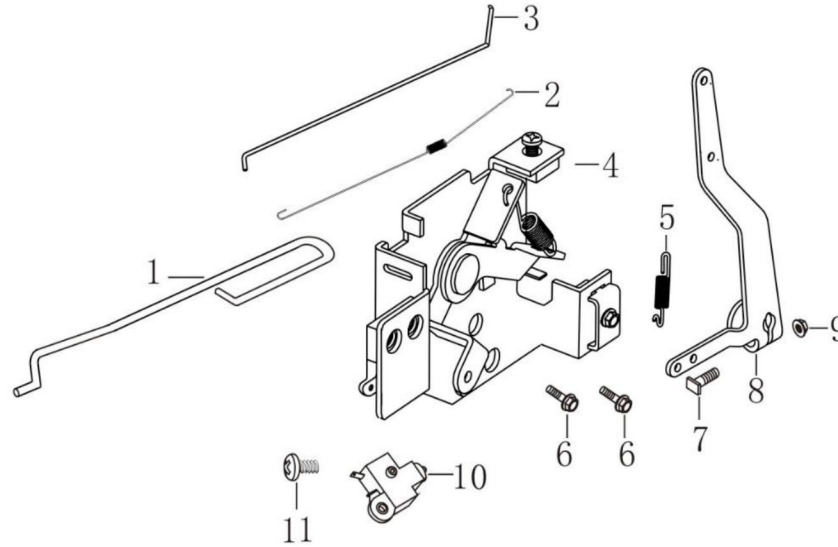
(CYLINDER HEAD)

No.	Part No.	Description	Reqd. QTY	UNIT	CONSUMABLE GRAI	
1	380020070-0001	BOLT, FLANGE	T370_M6×16.5(Φ8×3.5); 镀蓝白锌Q16	4	件/PIECES	C
2	120230083-0001	COVER COMP. HEAD	T320_2#, 孔径8.5; 镀蓝白锌Q16	1	件/PIECES	C
3	120250032-0001	PACKING, HEAD COVER	T320_2#, 孔径8.5 软木橡胶板;	1	件/PIECES	A
4	270960014-0002	PLUG, SPARK F7TC	F7RTC_无干扰; 带NHSP标识	1	件/PIECES	A
5	380140339-0001	BOLT, CONNECTING, ROD	T320_M8_L=50; 镀蓝白锌Q16	4	件/PIECES	C
6	120080288-0001	HEAD COMP, CYLINDER	T320;	1	件/PIECES	B
7	380180101-0001	BOLT, STUD	T320_M6_L=95; 镀蓝白锌Q16	2	件/PIECES	C
8	380180124-0001	BOLT, STUD	T320_M6_L=91; 镀蓝白锌Q16	2	件/PIECES	C
9	120150086-0001	GASKET, CYLINDER	T320_石墨;	1	件/PIECES	A
10	380600117-0001	PIN, DOWEL	T040_d=10_L=14;	2	件/PIECES	C



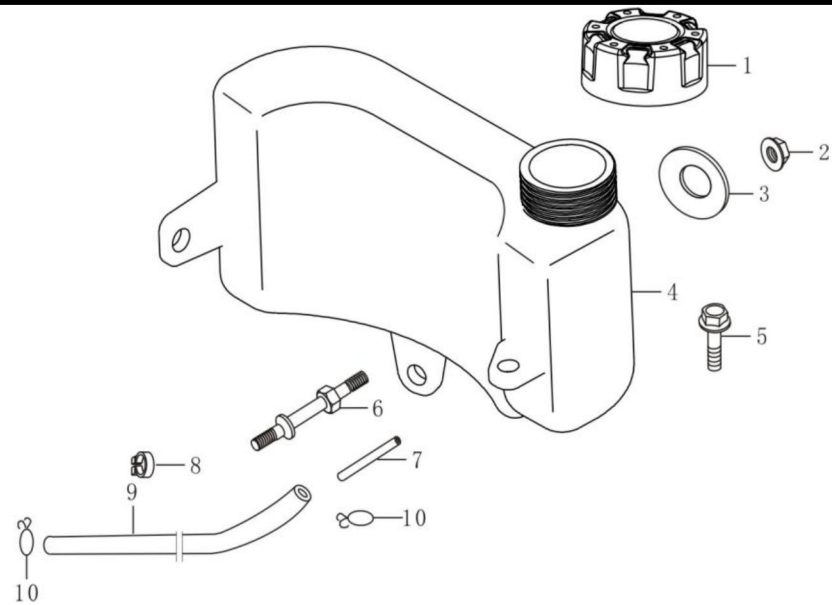
(AIR CLEANER)

No.	Part No.	Description	Reqd. QTY	UNIT	CONSUMABLE GRADE	
1	180280014-0001	ELBOW, COMP AIR CLEANER	T321;	1	件/PIECES	B
2	180130178-0001	ELEMENT, AIR CLEANER	T321_滤芯体;	1	件/PIECES	A
3	180130157-0001	ELEMENT, AIR CLEANER	T320_3#粗滤海绵, 加浓阀空滤器用;	1	件/PIECES	A
4	180070118-0001	COVER, AIR CLEANER	T320_3#_加浓阀空滤器用;	1	件/PIECES	B
5	180020403-0001	AIR CLEANER ASSY	T320_4#_平顶, 上下挂扣;	1	套/SETS	B
6	380140013-0005	BOLT, FLANGE,	GB/T 5789_M6_L=16; 镀蓝白锌Q16	1	件/PIECES	C
7	380370066-0001	NUT, FLANGE	GB/T 6177.1_不带防滑齿_M6; 镀蓝白锌Q16	2	件/PIECES	C



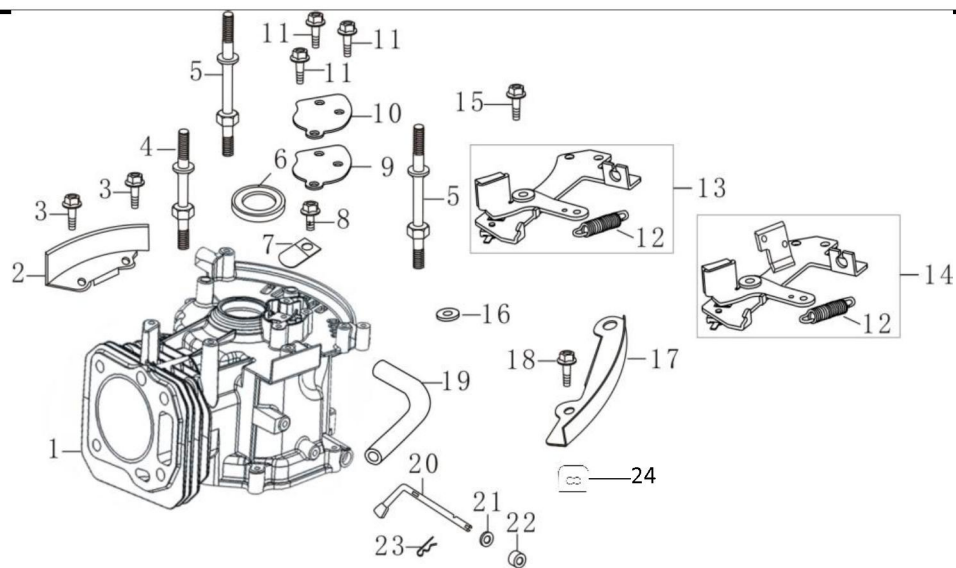
(CONTROL SYSTEM)

No.	Part No.	Description	规格状态	Reqd. QTY	UNIT	CONSUMABLE GRADE
1	171650004-0001	ROD, THROTTLE	T320;	1	件/PIECES	B
2	171610003-0001	SPRING, THROTTLE RETURN	T320;	1	件/PIECES	A
3	171590018-0001	ROD, GOVERNOR	T320_2#;	1	件/PIECES	B
4	171680039-0001	LIFTER , VALVE	T320_可带熄火开关;镀蓝白锌 Q16	1	件/PIECES	B
5	171600018-0001	SPRING, GOVERNOR	T320_14圈, 簧径0.8, 长60;	1	件/PIECES	A
6	380140067-0003	BOLT, FLANGE M6*12	GB/T 5789_M6_L=12;镀蓝白锌Q16	2	件/PIECES	C
7	380250002-0001	BOLT, GOVERNOR ARM	T040_M6_L=21(13mm);调速支架固定	1	件/PIECES	C
8	171620015-0001	ARM, GOVERNOR	T320;镀蓝白锌 Q16	1	件/PIECES	B
9	380370048-0001	NUT, FLANGE M6	GB/T 6177.1_M6;镀蓝白锌Q16	1	件/PIECES	C
10	271660026-0001	SWITCH ASSY, ENGINE STOP	T350;	1	件/PIECES	A
11	380200008-0005	SCREW , PAN M4*10	GB/T 818_M4_L=10;镀蓝白锌Q16	1	件/PIECES	C



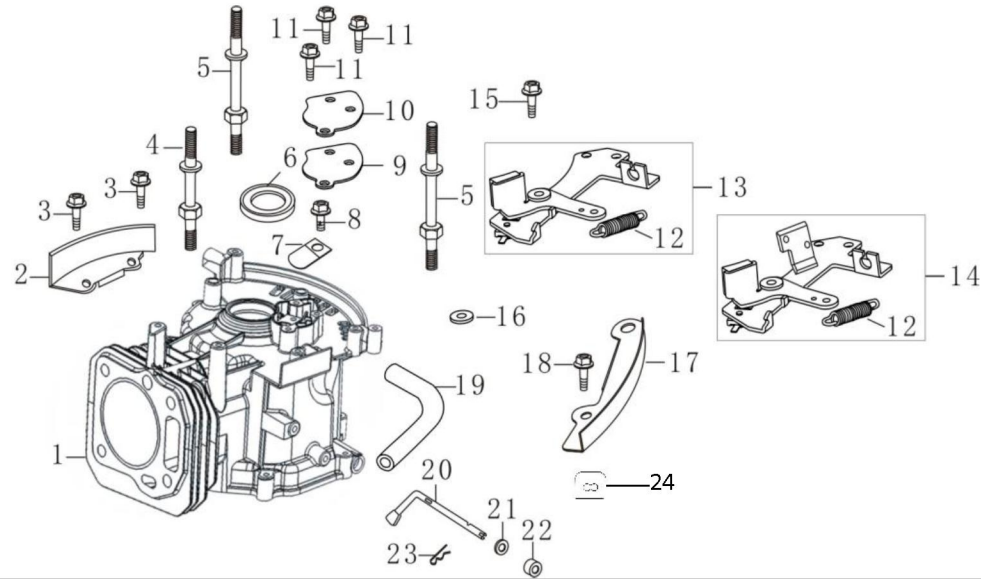
(FUEL TANK)

No.	Part No.	Description		Reqd. QTY	UNIT	CONSUMABLE GRAD
1	170870094-0001	CAP COMP., FUEL FILLER	T320_2#_油箱盖通气板;本色黑6#Q80_丁	1	件/PIECES	B
2	380370048-0001	NUT, FLANGE	GB/T 6177.1_M6;镀蓝白锌Q16	1	件/PIECES	C
3	380450444-0002	WASHER	Q/LX G 8.7_内径6_外径25_厚度2;镀蓝白	1	件/PIECES	C
4	170500687-0001	TANK COMP., Fuel	T321_2#, 塑料_支耳6mm厚;本色黑6#Q80	1	件/PIECES	B
5	380140013-0005	BOLT, FLANGE	GB/T 5789_M6_L=16;镀蓝白锌Q16	1	件/PIECES	C
6	380850003-0001	BOLT, STUD	T331_M6_L=60;镀蓝白锌Q16	1	件/PIECES	C
7	170010017-0001	STRAINER, FUEL	T350;	1	件/PIECES	A
8	380930025-0001	CLIP, WIRE HARNESS	T320_燕尾卡;	1	件/PIECES	B
9	380750234-0001	TUBE, FUEL	T320_内径5.5_外径9.5_长285;	1	件/PIECES	A
10	380950190-0001	CLIP, TUBE	T320_油管卡圈;	2	件/PIECES	B



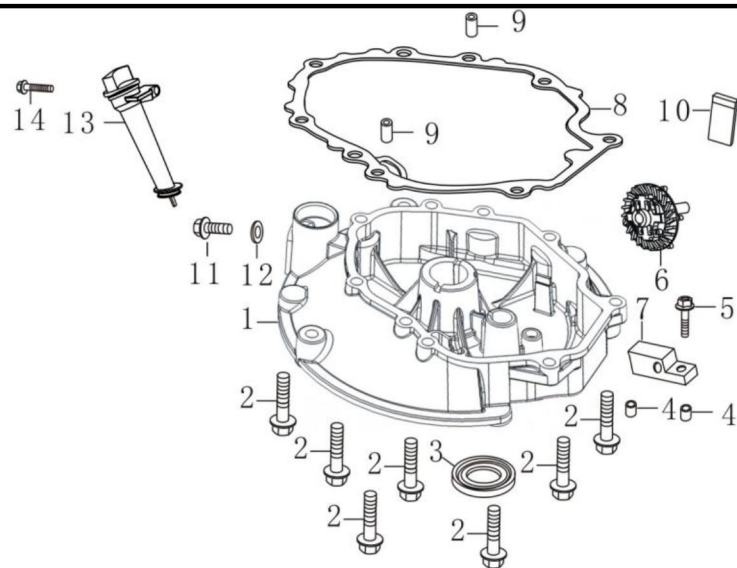
(CRANK CASE)

No.	Part No.	Description	Reqd. QTY	UNIT	CONSUMABLE GRADE	
						1
2	160200032-0001	SHIELD, TANK SIDE	T320_箱体侧护罩_2#;	1	件/PIECES	C
3	380140013-0005	BOLT, FLANGE	GB/T 5789_M6_L=16; 镀蓝白锌Q16	2	件/PIECES	C
4	380850002-0001	BOLT, STUD	T320_M6_L=78.5; 镀蓝白锌Q16	1	件/PIECES	C
5	380850006-0001	BOLT, STUD	T340_M6_L=85; 镀蓝白锌Q16	2	件/PIECES	C
6	380650335-0001	OIL SEAL	T320_d=25_D=38_b=7;	1	件/PIECES	A
7	140250006-0001	REED VALVE	T370_压板加厚;	1	件/PIECES	B
8	380140037-0003	BOLT, FLANGE	GB/T 5789_M6_L=10; 镀蓝白锌Q16	1	件/PIECES	C
9	110850010-0001	PACKING, BREATHER CHAMBER	T320_2#_无石棉软木橡胶板_三孔;	1	件/PIECES	A
10	110840010-0001	CAP, BREATHER CHAMBER	T320_2#_三孔;	1	件/PIECES	C
11	380140441-0001	BOLT, FLANGE	T200_M6_L=14_缸头盖螺栓; 镀蓝白锌Q16	3	件/PIECES	C



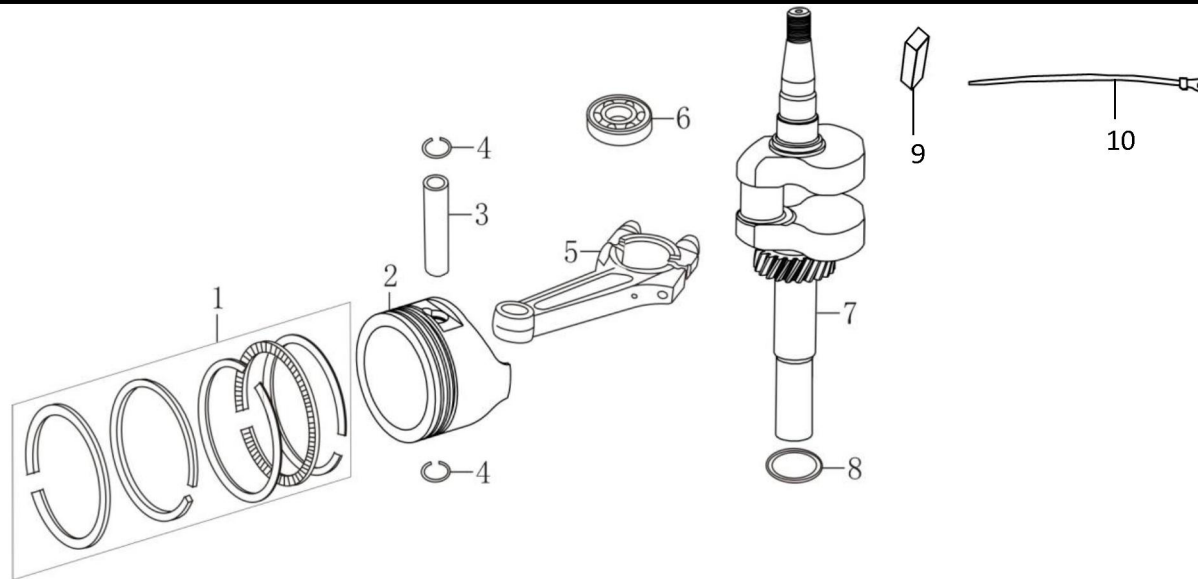
曲轴箱 (CRANK CASE)

No.	Part No.	Description		Reqd. QTY	UNIT	CONSUMABLE GRAD
16	380821590-0001	BUSHING	T330_外径13_内径6.2_长2.5_双头螺栓 衬套;	1	件/PIECES	C
17	160200033-0001	PLATE COMP, SIDE	T321_箱体侧护罩;	1	件/PIECES	C
18	380140067-0003	BOLT, FLANGE	GB/T 5789_M6_L=12; 镀蓝白锌Q16	1	件/PIECES	C
19	380740521-0001	TUBE, BREATHER	T321_3#_废气管;	1	件/PIECES	A
20	171630010-0001	SHAFT, GOVERNOR ARM	T320;	1	件/PIECES	B
21	380450527-0001	WASHER	T05K_T21_内径6_外径13_厚度1_65Mn; 每4个装	1	件/PIECES	C
22	380650338-0001	OIL SEAL	T320_d=6_D=11_b=4;	1	件/PIECES	A
23	381350004-0001	PIN, LOCK	T040_调速臂用;	1	件/PIECES	B
24	380930064-0001	LOCATION CABLE CLIP	T320_卡线胶块;	1	件/PIECES	B



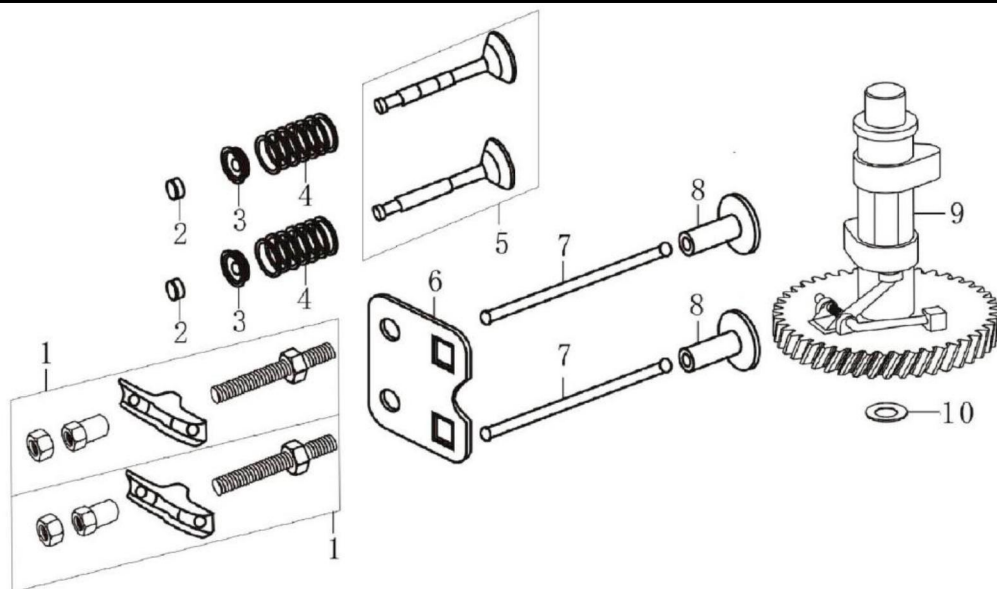
曲轴箱盖 (CRANK CASE COVER)

No.	Part No.	Description	Reqd. QTY	UNIT	CONSUMABLE	GRAD
1	110820038-0001	CASE COVER	T320_2#, 带放油螺栓孔;	1	件/PIECES	C
2	380140024-0006	BOLT, FLANGE	GB/T 5789_M6_L=28; 镀蓝白锌Q16	7	件/PIECES	C
3	380650347-0001	OIL SEAL	T320_d=25_D=41.25_b=6_丙烯酸脂CII;	1	件/PIECES	A
4	380600121-0001	PIN, DOWEL	T041_d=8_L=10;	2	件/PIECES	C
5	380140077-0005	BOLT, FLANGE	GB/T 5789_M6_L=20; 镀蓝白锌Q16	1	件/PIECES	C
6	171750013-0001	GOVERNOR COMP	T320;	1	套/SETS	B
7	171640003-0001	PLATE, GOVERNOR HOLDER	T320;	1	件/PIECES	C
8	110830039-0001	PACKING, CASE COVER	T320_interface (N-8092);	1	件/PIECES	A
9	380600120-0001	PIN, DOWEL	T040_d=8_L=14;	2	件/PIECES	C
10	150570002-0001	RUBBER, OIL DEFLECTOR	T350;	1	件/PIECES	B
11	110260025-0001	BOLT, DRAIN PLUG	T040_M10×1.25×15; 镀蓝白锌Q16	1	件/PIECES	C
12	380450514-0001	WASHER	T040_T21_内径10_外径16_厚度1.5_铝及	1	件/PIECES	C
13	110690016-0002	CAP ASSY	T320_机油尺; 带密封圈, 加油管_本色: 黑	1	件/PIECES	B
14	380140100-0003	BOLT, FLANGE	GB/T 5789_M6_L=35; 镀蓝白锌Q16	1	件/PIECES	C



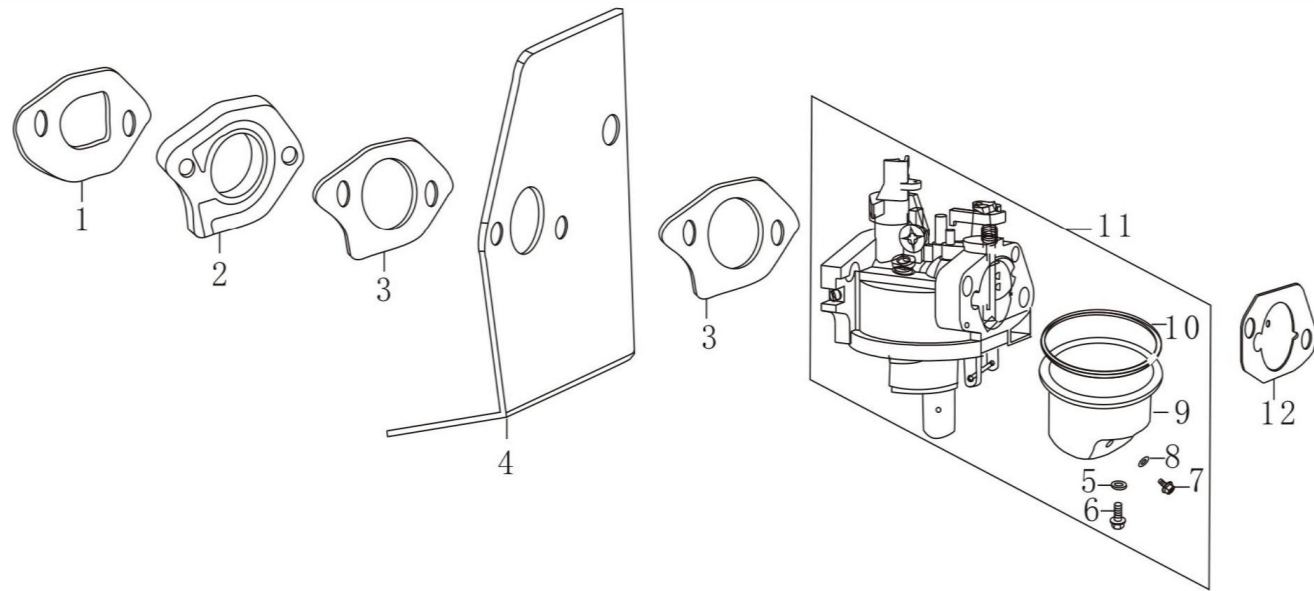
(CRANKSHAFT/PISTON)

No.	Part No.	Description	Reqd. QTY	UNIT	CONSUMABLE GRAD	
						1
2	130030092-0001	PISTON	T320;	1	件/PIECES	A
3	130060030-0001	PIN, PISTON	T030_Φ13×47;	1	件/PIECES	B
4	380560055-0001	CLIP, PISTON PIN	T030_活塞销挡圈;	2	件/PIECES	B
5	130150051-0001	ROD ASSY., CONNECTING	T320;	1	件/PIECES	B
6	380630137-0002	EDDP GROOVE BALL BEAEING	GB/T 276_6205;	1	件/PIECES	B
7	130290251-0001	CRANKSHAFT COMP	T320_0轴;	1	件/PIECES	B
8	380450518-0001	WASHER	T320_T21_内径25.4_外径34_厚度1;氧化	1	件/PIECES	C
9	380620030-0001	KEY	GB/T1095_L=38_4.78×4.78_A型;	1	件/PIECES	B
10	380900062-0001	HOOP STRIP	T561_L=100_固定电缆用;	1	件/PIECES	A



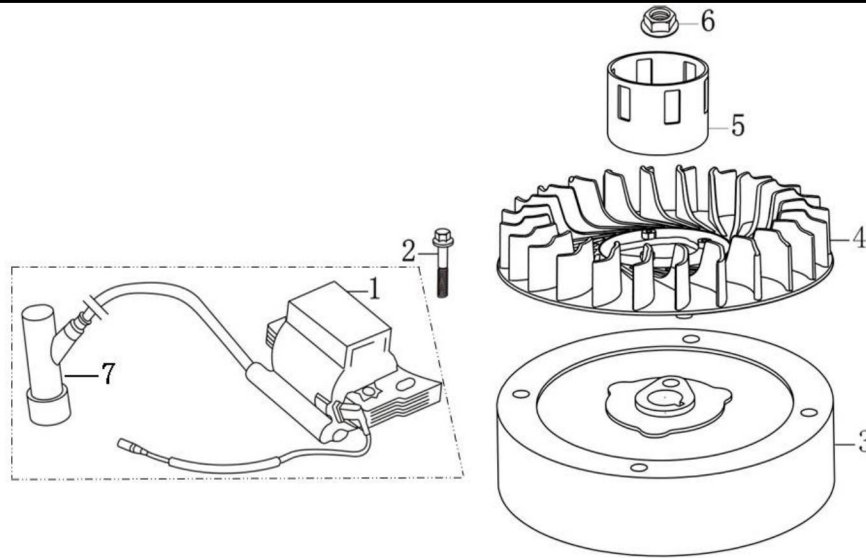
(CAMSHAFT)

No.	Part No.	Description	Reqd. QTY	UNIT	CONSUMABLE GRAD
1	140450022-0001	ARM, VALVE ROCKER	2	套/SETS	B
3	140380020-0001	RETAINER, VALVE SPRING	2	件/PIECES	B
4	140340022-0001	SPRING, VALVE	2	件/PIECES	B
5	500550034-0001	VALVE ASSY.	1	套/SETS	B
6	140710003-0001	PLATE ASSY	1	件/PIECES	B
7	140670028-0001	ROD, PUSH	2	件/PIECES	B
8	140690002-0001	LIFTER	2	件/PIECES	B
9	140020058-0001	CAMSHAFT ASSY.	1	件/PIECES	B
10	380450534-0001	WASHER	1	件/PIECES	C



(CARBURETOR)

No.	Part No.	Description		Reqd. QTY	UNIT	CONSUMABLE GRAD
1	170430057-0001	PACKING, INSULATOR	T320_不含石棉纸垫_进气管密封垫;绿色	1	件/PIECES	A
2	170440055-0001	INSULATIR, CARBURETOR	T320_隔热块;	1	件/PIECES	B
3	170430046-0001	PACKING, CARBURETOR	T320_不含石棉纸垫_化油器与空滤器之	2	件/PIECES	A
4	170450001-0001	PACKING, CARBURETOR	T320_钢架混压无石棉复合板;	1	件/PIECES	B
5	380450539-0001	GASKET, OIL CUP BOLT	T040_浮子室螺栓垫圈;带Huayi标识	1	件/PIECES	A
6	380140353-0001	BOLT, FLANGE	T040_浮子室螺栓;镀蓝白锌Q16_带Huayi	1	件/PIECES	C
7	172930001-0001	DRAIN BOLT	T040;带Huayi标识	1	件/PIECES	C
8	380450577-0001	WASHER	T040_化油器放油螺栓垫圈;带Huayi标识	1	件/PIECES	A
9	170250021-0002	OIL CUP	T040;油杯镀蓝白锌Q16_带Huayi标识	1	件/PIECES	C
10	380840455-0001	GASKET, OIL CUP	T040_浮子室密封圈;带Huayi标识	1	件/PIECES	A
11	170020451-0002	CARBURETOR	T320_P18;油杯镀蓝白锌Q16_铜镀镍针阀	1	套/SETS	B
12	170430067-0001	GASKET, AIR CLEANER	T320_空滤器垫;	1	件/PIECES	B



(FLYWHEEL/Ignition Comp)

No.	Part No.	Description		Reqd. QTY	UNIT	CONSUMABLE GRAD
1	270920242-0001	COIL ASSY., IGNITION	T320_6#_带金属屏蔽帽,加铜片;	1	套/SETS	A
2	380140086-0002	BOLT, FLANGE	GB/T 5789_M6_L=22;镀蓝白锌Q16	1	件/PIECES	C
3	270020126-0001	FLYWHEEL COMP	T340_无拆机孔_无内磁钢;	1	件/PIECES	B
4	160180015-0001	FAN, COOLING	T320;	1	件/PIECES	A
5	193590005-0001	PULLEY, STARTER	T040;镀蓝白锌Q16	1	件/PIECES	B
6	380370051-0001	NUT, SPECIAL	T040_M14×1.5;镀蓝白锌Q16	1	件/PIECES	C
7	270950050-T320	CAP ASSY., NOISE SUPPRESSOR		1	件/PIECES	A