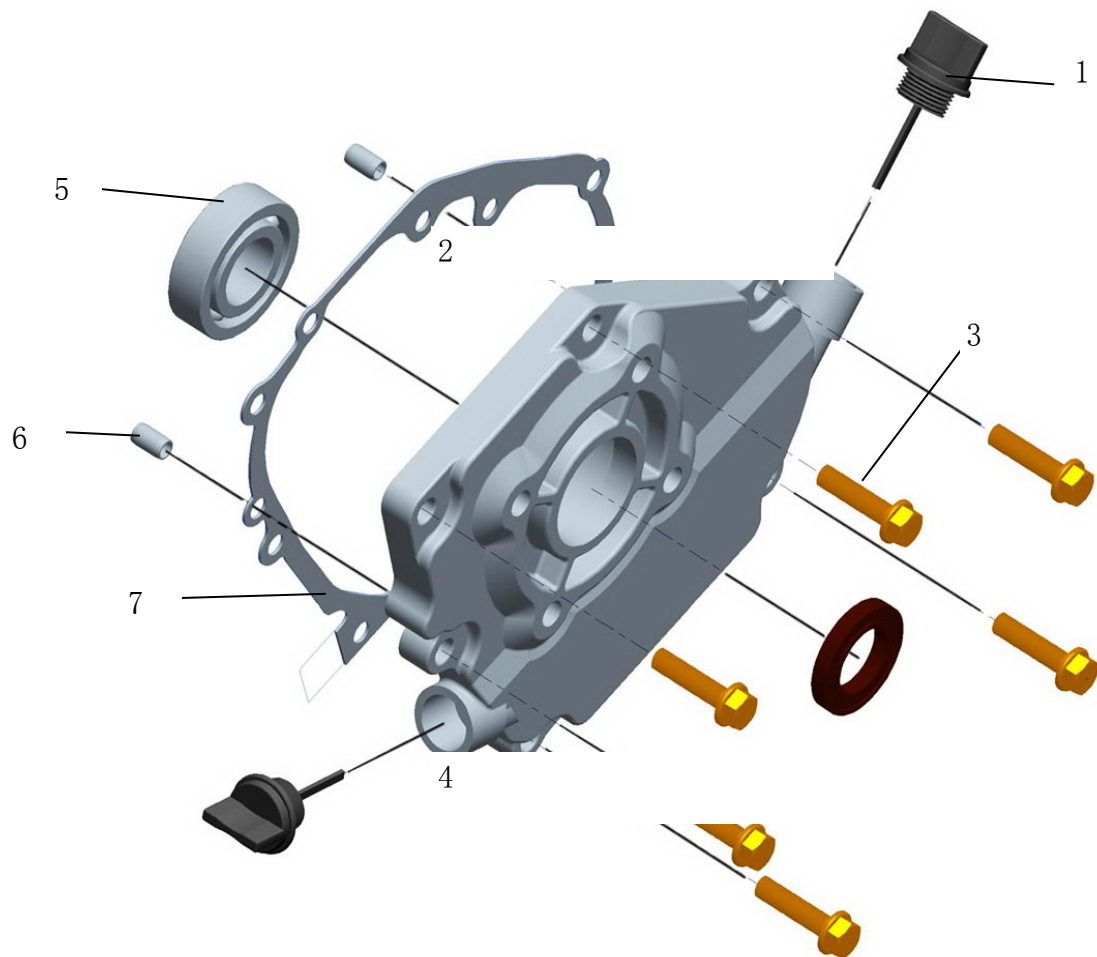


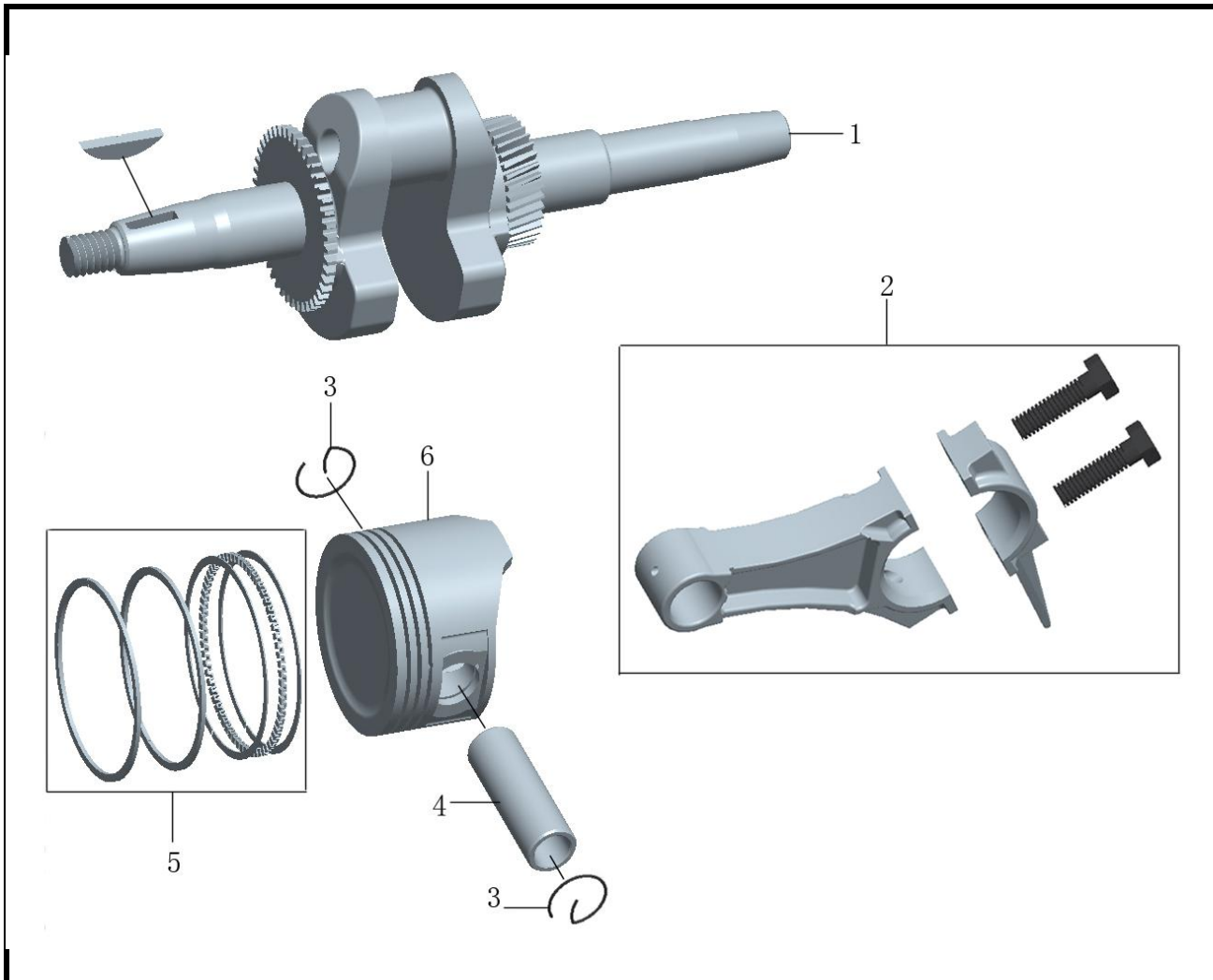
## 1、机体总成 Cylinder bolt Assy

No.	ERP No.		名称Name	Quan	Remark
	160	200			
1	301060100100	301130100100	crankcase	1	
2	301060100200		governor arm shaft	1	
3	301060100300		lock nip	1	
4	301060100600		governor shaft	1	
5	301060100700		governor shaft clip $\phi$ 1.0*5.3	1	
6	301060100800		governor	1	
7	301060100900		governor gear washer	4	
8	301060101001		drain plug bolt	2	
9	211010601200		drain plug washer	2	
10	301060110000		governor gear	1	
11	462254106300		oil seal	1	
12	301180101100		string ring	1	Electric start
13	402060100160		flange bolt	1	Electric start
14	301060101000		dig clip	1	Electric start



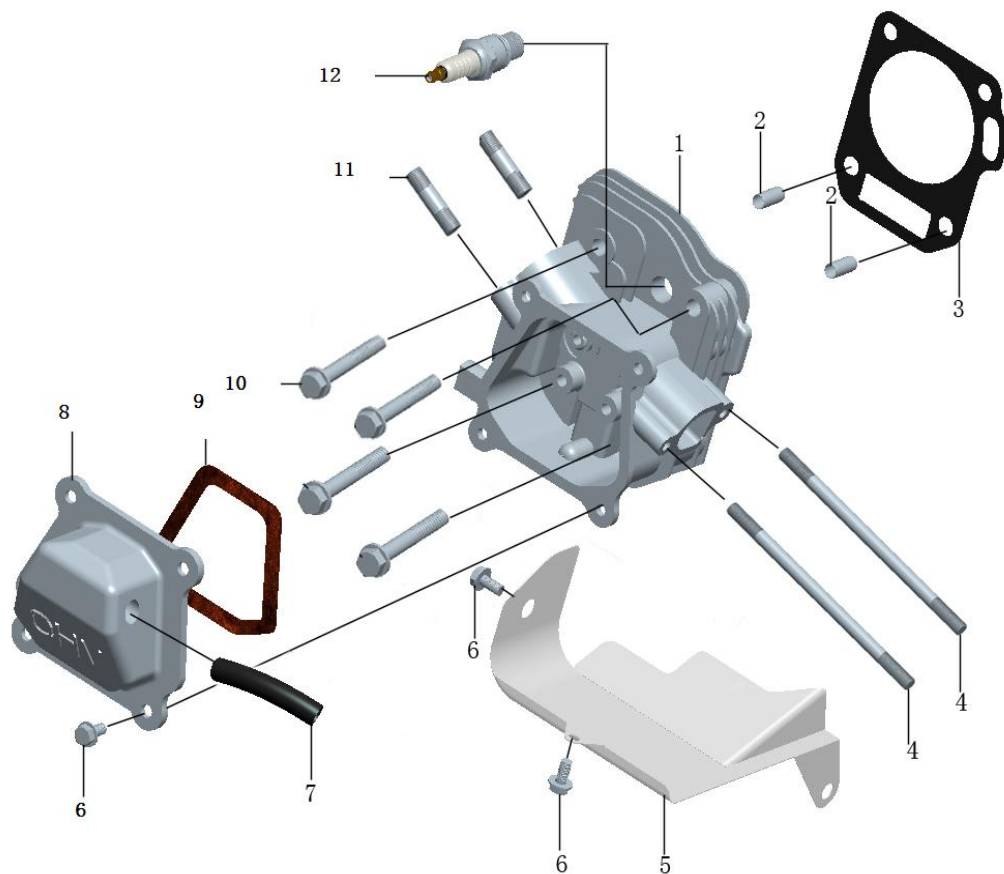
## 2、曲轴箱盖总成 Crankcase Assy

No.	ERP No.		Name	Quan.	Remark
	160	200			
1	301060210000		dipstick assy	2	includes seal
2	301060200100		case cover	1	
3	402080350160		flange bolt	6	
4	462254106300		oil seal	1	
5	463620560000		radial ball bearing	2	
6	4480800014050		dowel pin	2	
7	301060200400		case cover packing	1	



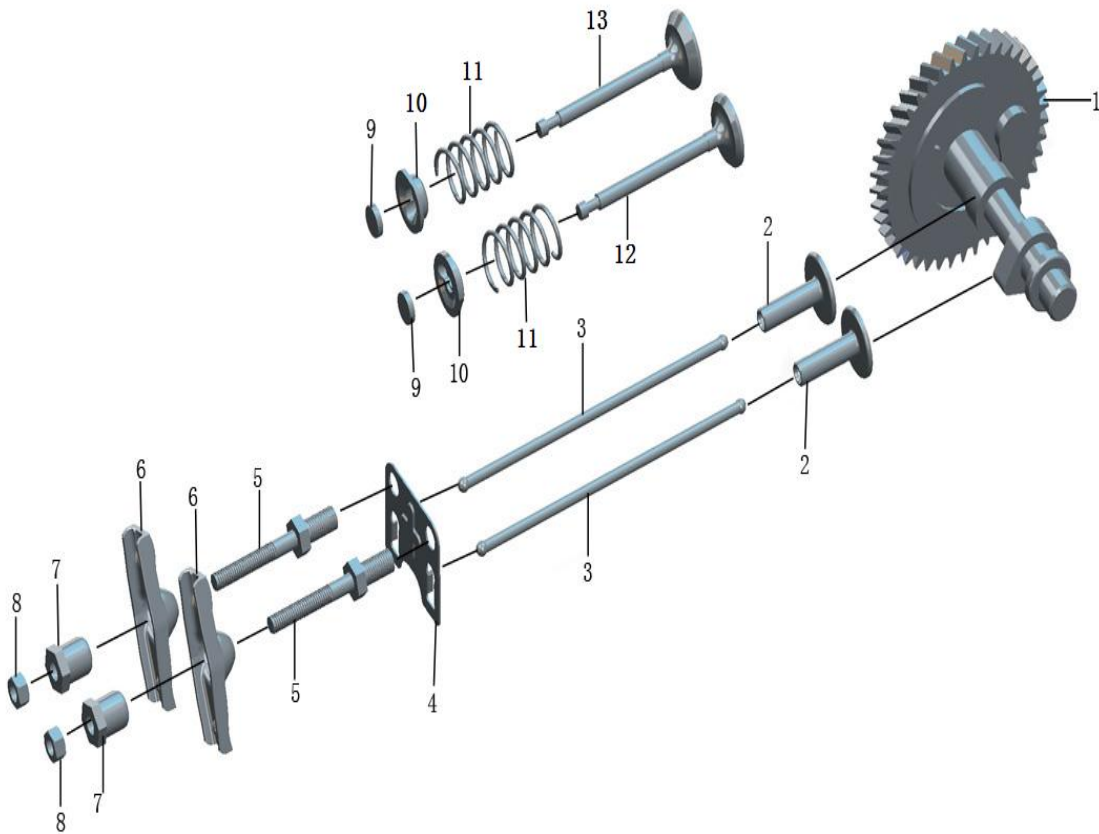
### 3、曲轴、活塞连杆总成 Crankshaft Pistion& Conne

No.	ERP No.		Name	Quan.	Remark
	160	200			
1	301060310101	301130310101	crankshaft	1	V1
2	301060320000		rod assy connecting	1	
3	301060300600		piston pin clip	2	
4	301060300500		piston pin	1	
5	301060330000		piston ring set	1	
6	301130300400		piston	1	



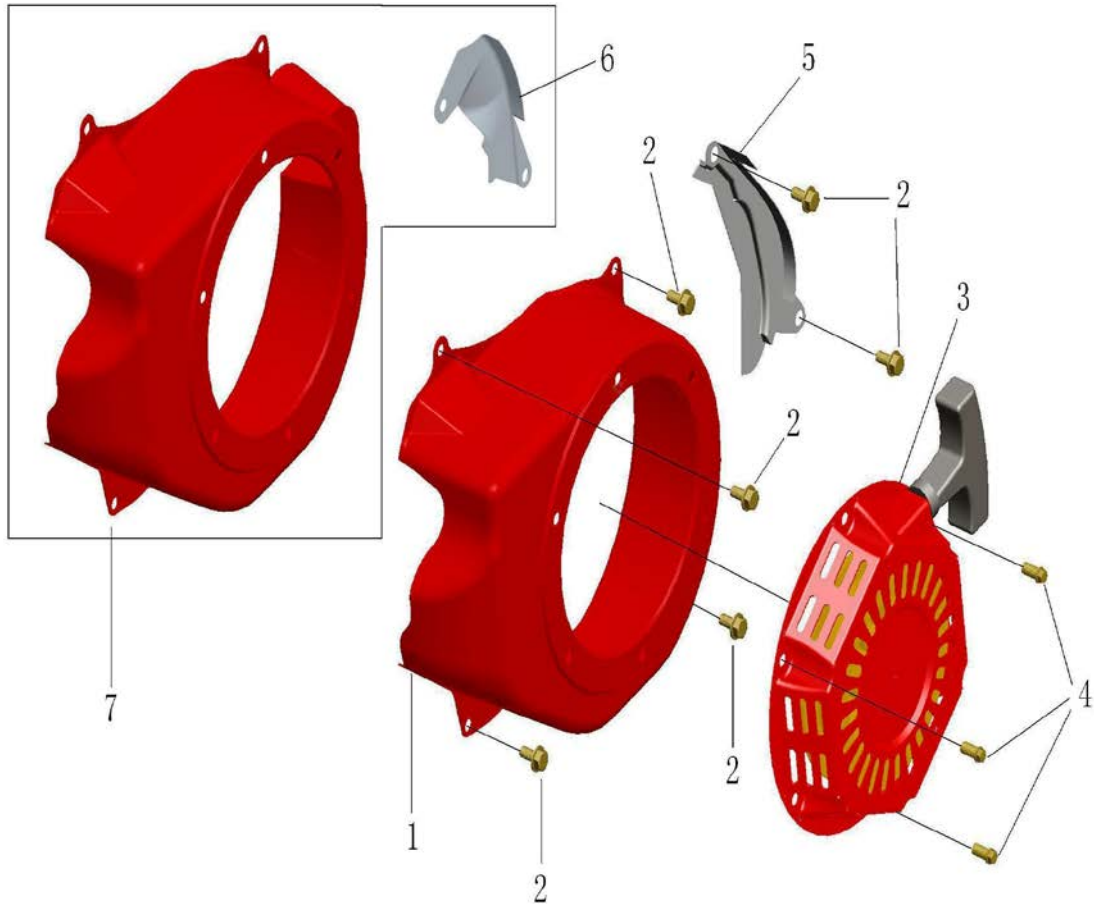
#### 4、气缸盖、气缸盖罩总成 Cylinder Head & Cylinde

No.	ERP No.		Name	Quan.	Remark
	160	200			
1	301060410000	301130410000	head cover	1	
2	448100016050		dowel pin	2	
3	301060400100		cylinder head gasket	1	
4	445061000120		stud bolt	2	for engine
5	301060400500		lead wind cover	1	
6	402060100160		flange bolt	6	
7	301060400300		breather tube	1	for engine
8	301060430000		head cover	1	
9	301060400200		head cover packing	1	
10	301060400400		head cover bolt	4	
11	444080380120		stud bolt	2	
12	301060420001		spark plug	1	F6TC



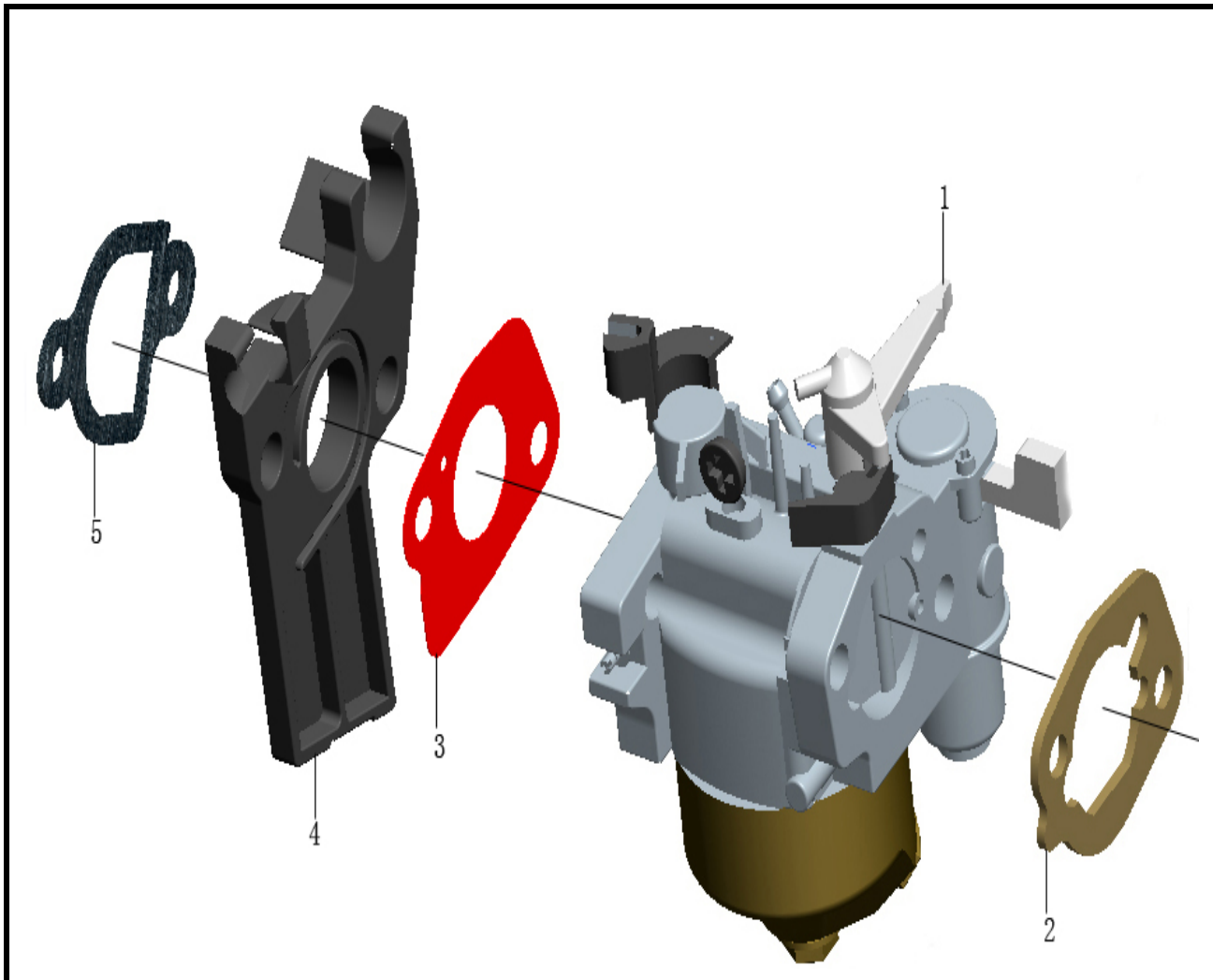
## 5、凸轮轴、气门摇臂总成

No.	ERP No.		Name	Quan.	Remark
	160	200			
1	301130510000		camshaft assy	1	尼龙齿轮
2	301060500100	301130500100	valve pole	2	
3	301060500200		push rod	2	
4	301060500300		push rod guide plate	1	带尼龙
5	301060520300		pivot bolt	2	
6	301060520100		valve rocker	2	
7	301060520200		rocker pivot pin	2	
8	301060520400		pivot adjusting nut	2	
9	301060500900		valve rotator	2	
10	301060500800		valve spring seat	2	
11	301060500600		valve spring	2	
12	301060500400		intake valve	1	
13	301060500500		exhaust valve	1	



## 6、反冲起动器

No.	ERP No.		Name	Quan.	Remark
	160	200			
1	301060610102		fan hood	1	for manual start, engine
2	402060120160		flange bolt	6	
3	301060623102		casing	1	red
4	402060080160		flange bolt	3	
5	402060120160		shroud comp	1	engine
6	301060600101		shroud comp	1	electric start
7	301060610202		fan hood	1	for electric start



## 7、化油器

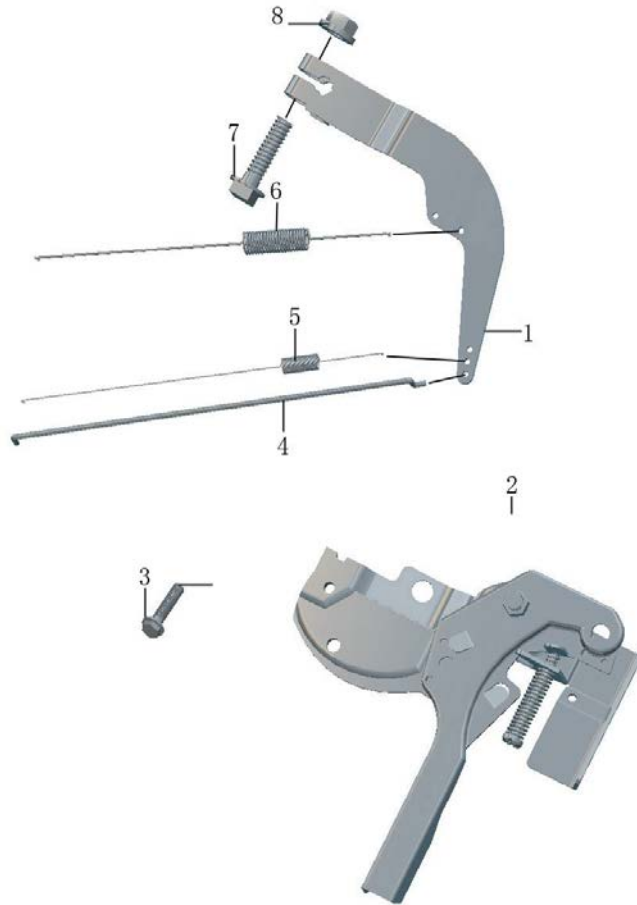
No.	ERP No.		Name	Quan.	Remark
	160	200			
1	301060710001	301130710001	carburetor	1	for engine
2	211010607100		air cheaner gasket	1	
3	301060700200		carburetor gasket	1	
4	301060700300		connecting block	1	
5	301060700400		inlet gasket	1	



## 8、空濾器总成 Air Cleaner Assy

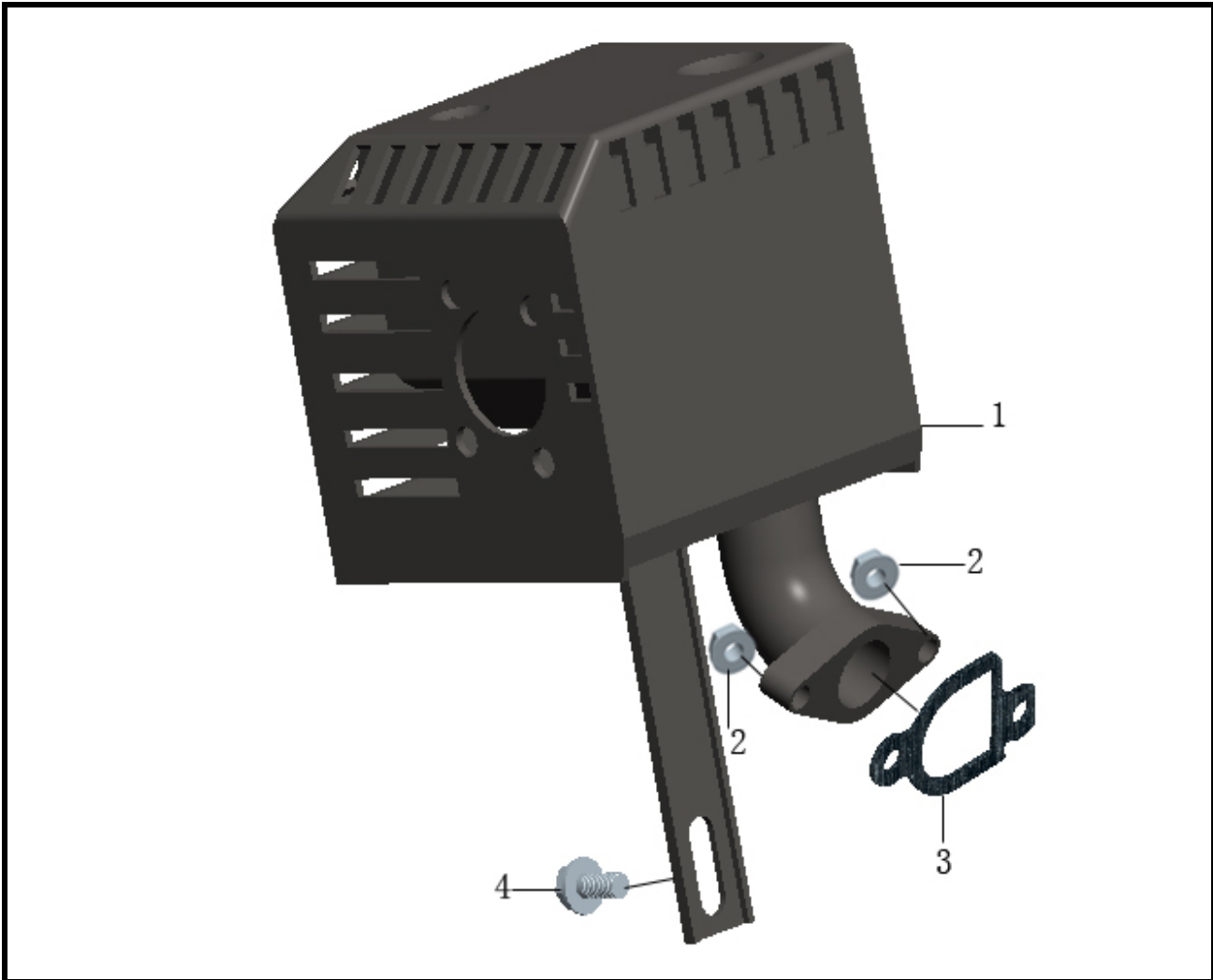
No.	ERP No.		Name	Quan.	Remark
	160	200			
1	301060810001		air cheaner assy	1	for engine, Dry filter type
2	422060000120		flange bolt	2	





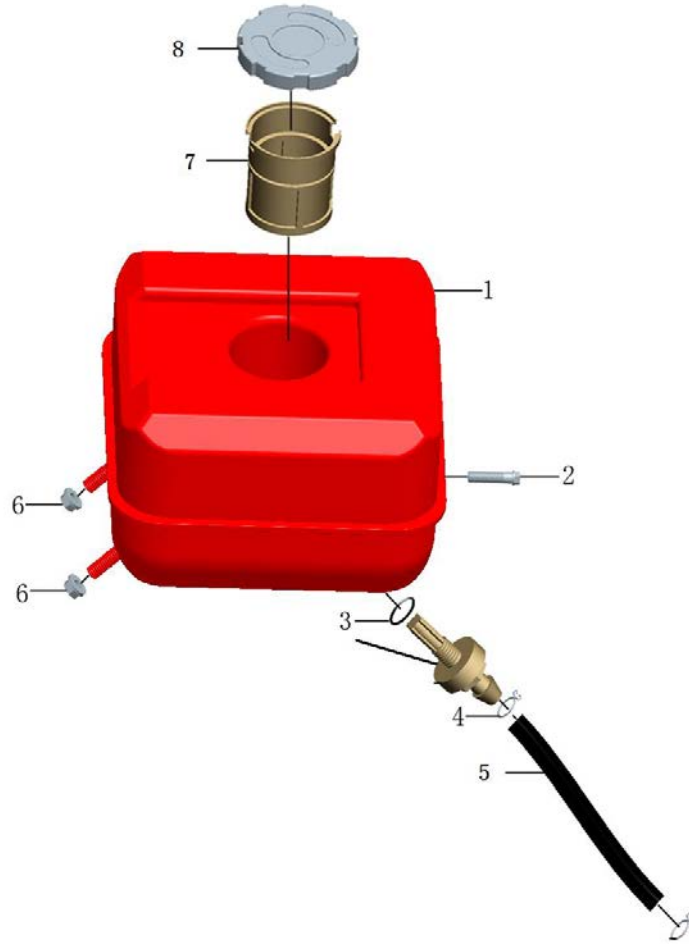
## 9、调速控制系统 Regulating Control System

No.	ERP No.		Name	Quan.	Remark
	160	200			
1	301060900400		regulating arm	1	
2	301060910001		speed control assy	1	for engine
3	402060120160		flange bolt	2	
4	301060900100		governor rod	1	
5	301060900200		throttle return spring	1	
6	301060900302		governor spring	1	
7	301060900500		governor arm bolt	1	
8	423060000120		speed control assy	1	



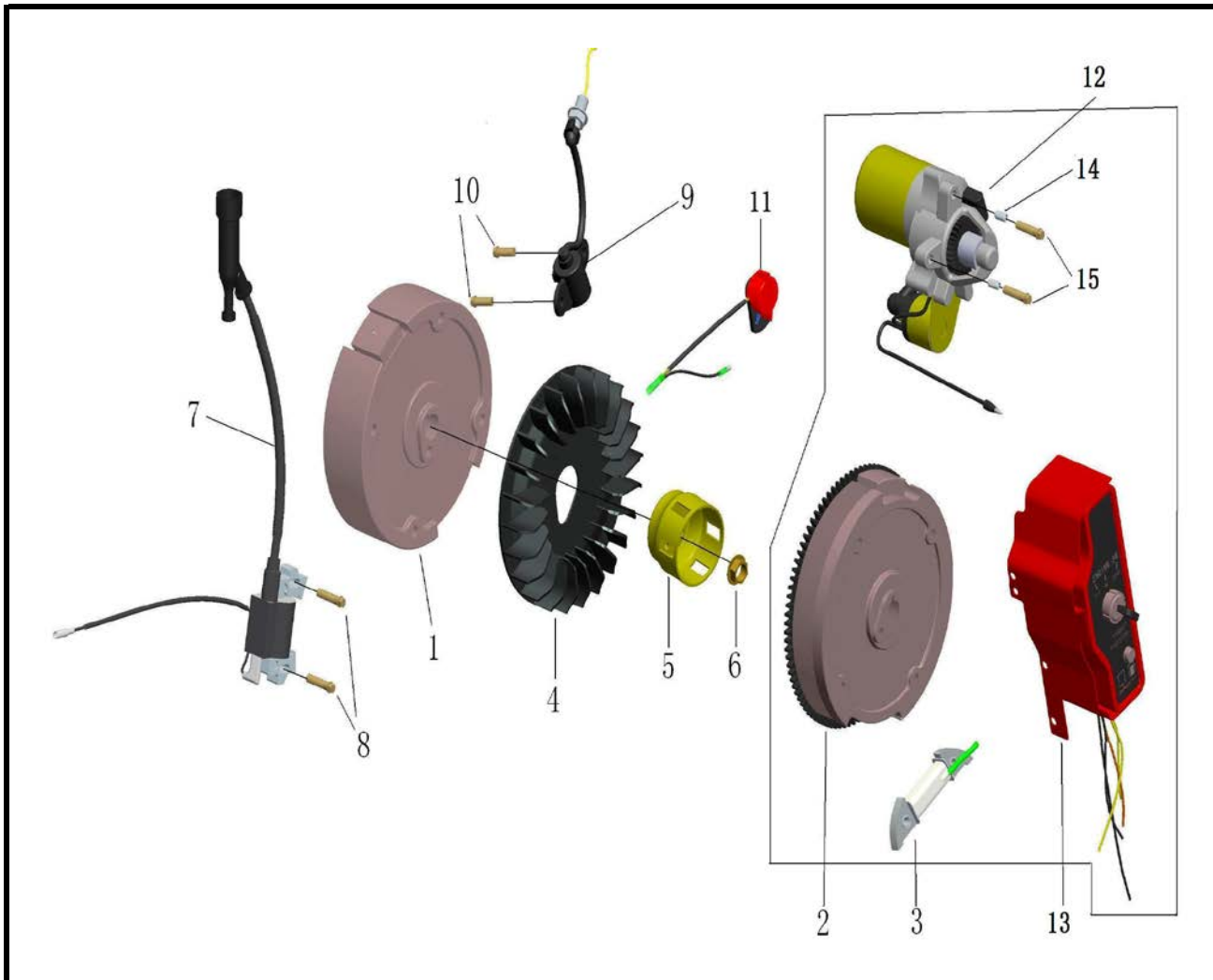
## 10、消声器总成 Muffler Assy

No.	ERP No.		Name	Quan.	Remark
	160	200			
1	301061010000		muffler assy	1	for engine
2	422080000120		bolt	2	
3	301061000100		muffler gasket	1	
4	402060220160		flange bolt	1	



## 11、燃油箱总成Fuel Tank Assy

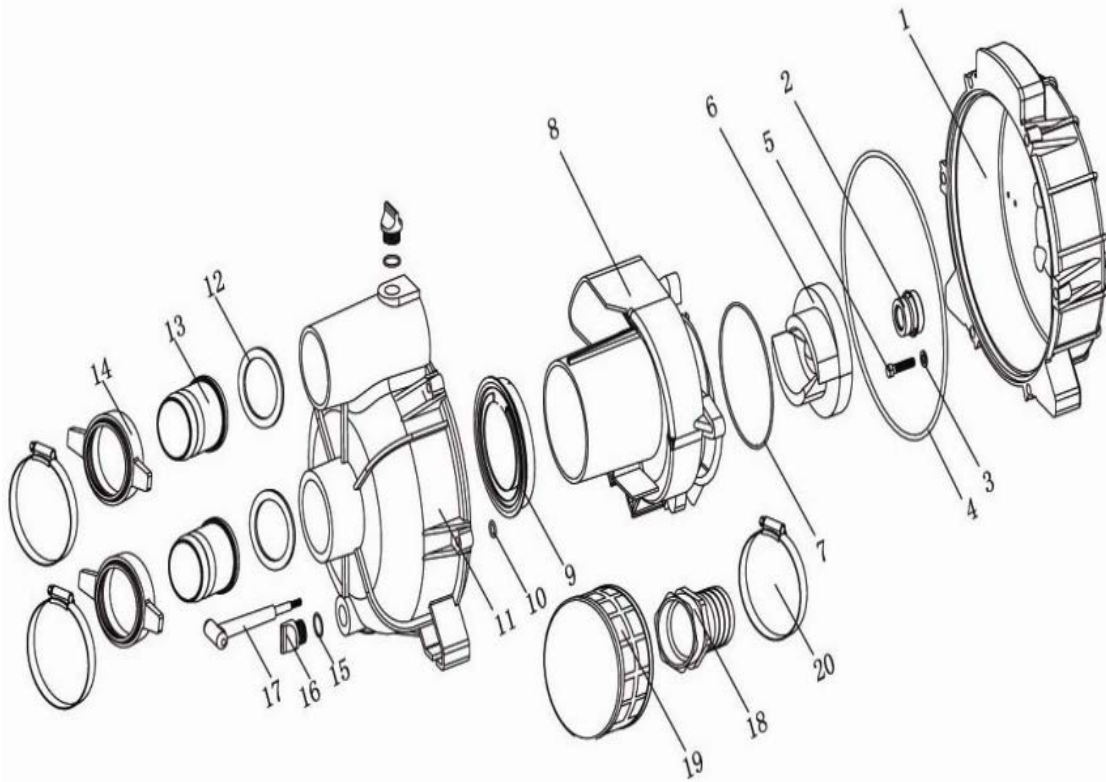
No.	ERP No.		Name	Quan.	Remark
	160	200			
1	301061110116		fuel tank	1	米白、本
2	402060280160		flange bolt	1	
3	301061100300		fuel tank joint	1	includes seal
4	301061100600		tube clip	2	
5	301061100400		fuel tube	1	
6	422060000120		bolt	2	
7	301061100100		filter cup	1	
8	301061120001		tank cap	1	金属



## 12、飞轮总成 Flywheel Assy

No.	ERP No.		Name	Quan.	Remark
	160	200			
1	301061210001		flywheel comp	1	manual start
2	301061210002		flywheel comp	1	electric start
3	301061200800		Charging coil	1	electric start
4	301061200100		cooling fan	1	
5	301061200200		Starter pulley	1	
6	301061200300		flywheel special nut	1	
7	301061200401		ignition coil	1	高帽
8	402060250160		flange bolt	2	
9	301061200501		oil sensor	1	mechanical
10	402060140160		flange bolt	2	
11	301061200600		engine stop switch assy	1	manual start
12	301061220000		starter motor	1	electric start
13	301061201000		control claw	1	electric start
14	448080010050		starting motor dowel pin	1	electric start
15	402060300160		flange bolt	2	electric start

### 3寸污水泵（海霖）爆炸图及明细(2014. 02. 17)



ITEM NO	ERP CODE	DESCRIPTION	ESE DESCRIP	QUAN.
1	311080000200	Pump cover		1
2	311080001900	Mechanical seal		1
3	311080002000	gasket, cover		4
4	311080001100	O-Ring, pump housing		1
5	311080001300	Bolt, cover		4
6	311080001600	Impeller/propeller 3'		1
7	311080001200	Seal, volute casing		1
8	311080001500	Volute casing		1
9	311080000900	check valve 3'		1
10	311080000700	Bolt gasket, inlet valve		6
11	311080000100	pump housing		1
12	311080001000	Inlet/outlet gasket		2
13	311080000300	Pipe connector		2
14	311080001400	Connector nut		2
15	311080001800	o-ring, priming cap		2
16	311080000600	Priming		2
17	311080000800	Bolt, inlet valve		6
18	311080000400	Filter connector		1
19	311080000500	Filter		1
20	311080002100	Clip		3
21	311020002202	Frame		1

22	311010004100	Absorber		1
----	--------------	----------	--	---