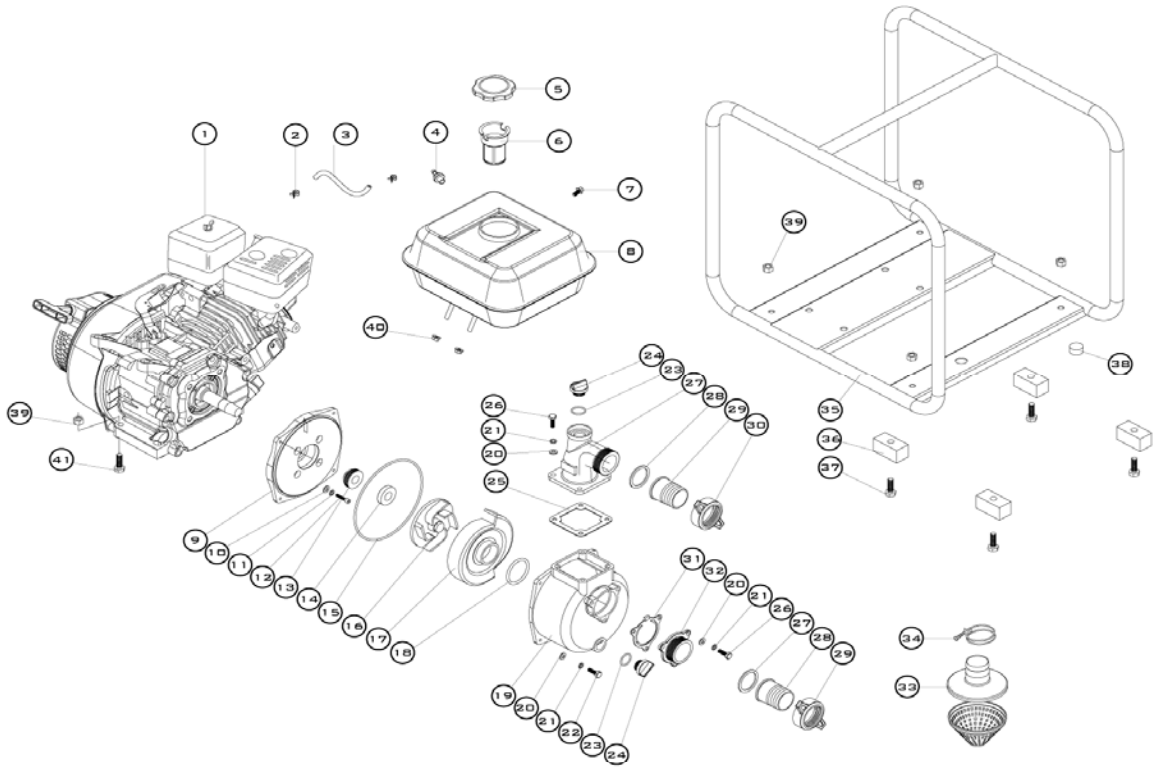


# GP80

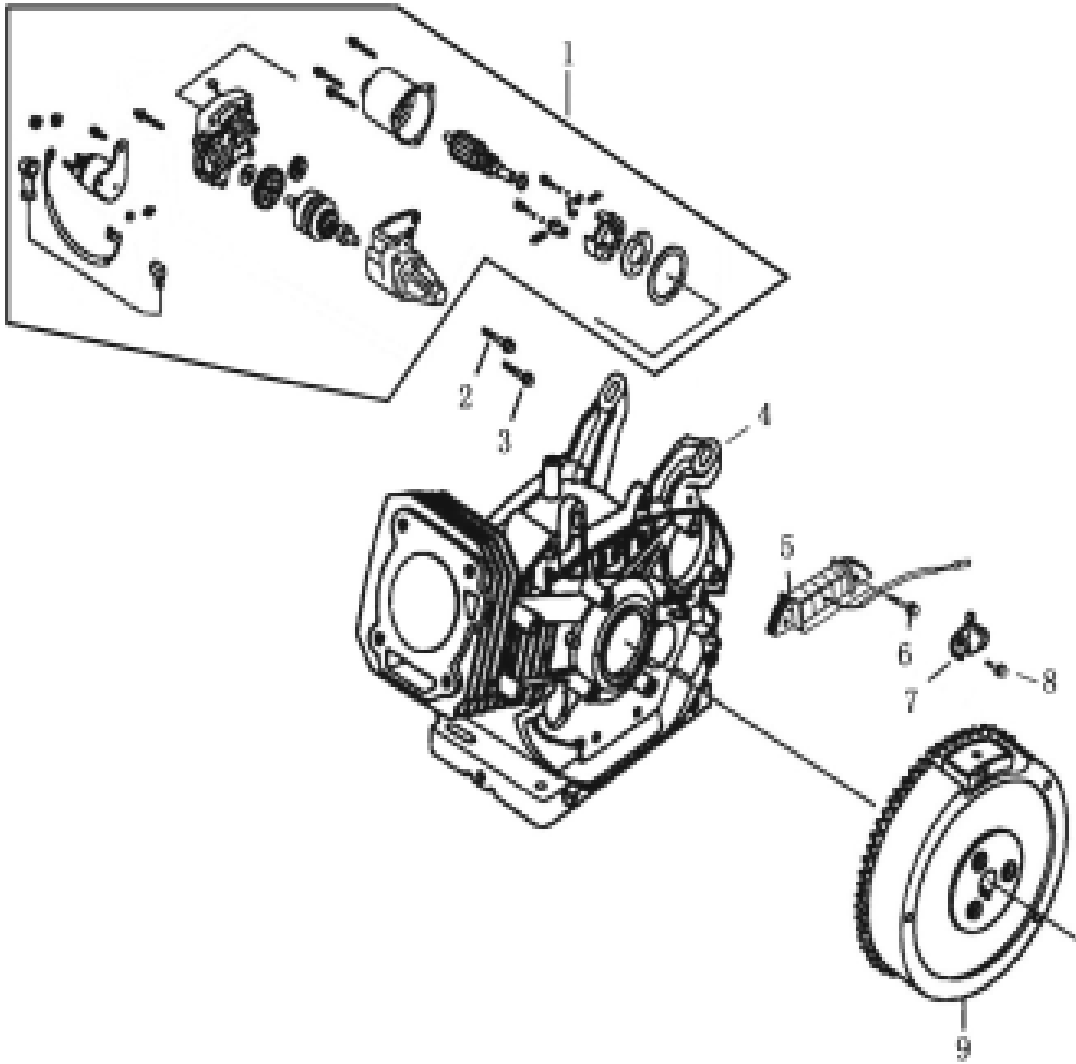
## GP80



NO.	CODE	DESCRIPTION	QTY.
1	2EP21011	UP170 gasoline engine	1
2	3A2006001	Pipe clamp	2
3	3B0111007	Fuel pipe	1
4	3A2006400	Connector	1
5	3A2006100	Fuel tank cup	1
6	3A2006007	Filter cup	1
7	3S22060251	flange bolt M6X25	1
8	3A2006009	Fuel tank	1
9	3G3080001	Pump cover	1
10	3S35081	washerφ8	4
11	3G4050004	rubber washer	4
12	3S24080603	Inner hex bolt M8x60	4
13	3G3080002A	Mechanical seal	1
14	3G3080006	porcelain seal	1
15	3G3080003	O ring	1
16	3G3080007	water pump impeller	1
17	3G3080008	volute casing	1
18	3G3080009	rubber bushing	1
19	3G3080010	housing of pump	1
20	3S35101	washer φ10	11
21	3S31102	spring washer φ10	11
22	3S22100301	flange bolt M10X30	4
23	3G3040013A	O ring	2
24	3G3080013	plug packing	2
25	3G3080014A	rubber washer	1
26	3S22100251	flange bolt M10X25	7
27	3G3080015	outlet flange	1
28	3G3080020	rubber washer	2
29	3G3080021	pipe joint	2
30	3G3050022	joint grip	2
31	3G3080011	check valve	1
32	3G3080012A	inlet flange	1
33	3G3080024	filter net	1
34	3G3080023	Rear housing	3
35	3JPG8000	frame	1
36	3G20011	shock absorber	4
37	3S210802051	flange bolt M8X25	4
38	3C13008	shock absorber	1
39	3S12081	flange nut M8	8
40	3S12061	flange nut M6	2
41	3S22080351	flange bolt M8X35	4

# UP168-I(UP160)零部件配置表

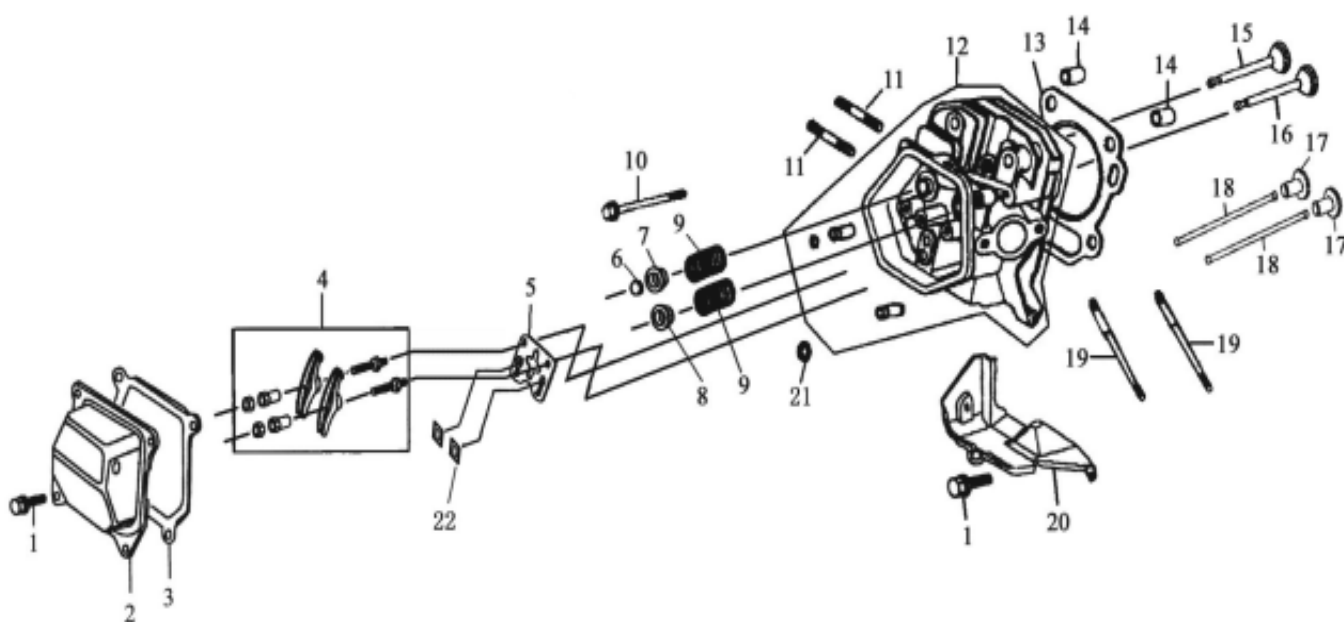
## 7. STARTER & GENERATOR ASSEMBLY



序号	CODE	DESCRIPTION	DESCRIPTION	QTY.	REMARK
	3A2007100	Starting motor assy	1		
1	3S22060281	Bolt M6×28	1		
2	3S22060322	Bolt M6×32	1		
3	3A2001004	Crankcase	1		
4	3A2007200	Charge coil	1		
5	3S22060352	Bolt M6×35	2		
6	3A2007007	Clamper, cord	1		
7	3S22060121	Bolt M6×12	2		
8	3A2007300	Flywheel	1		
9					

# UP168-I(UP160)零部件配置表

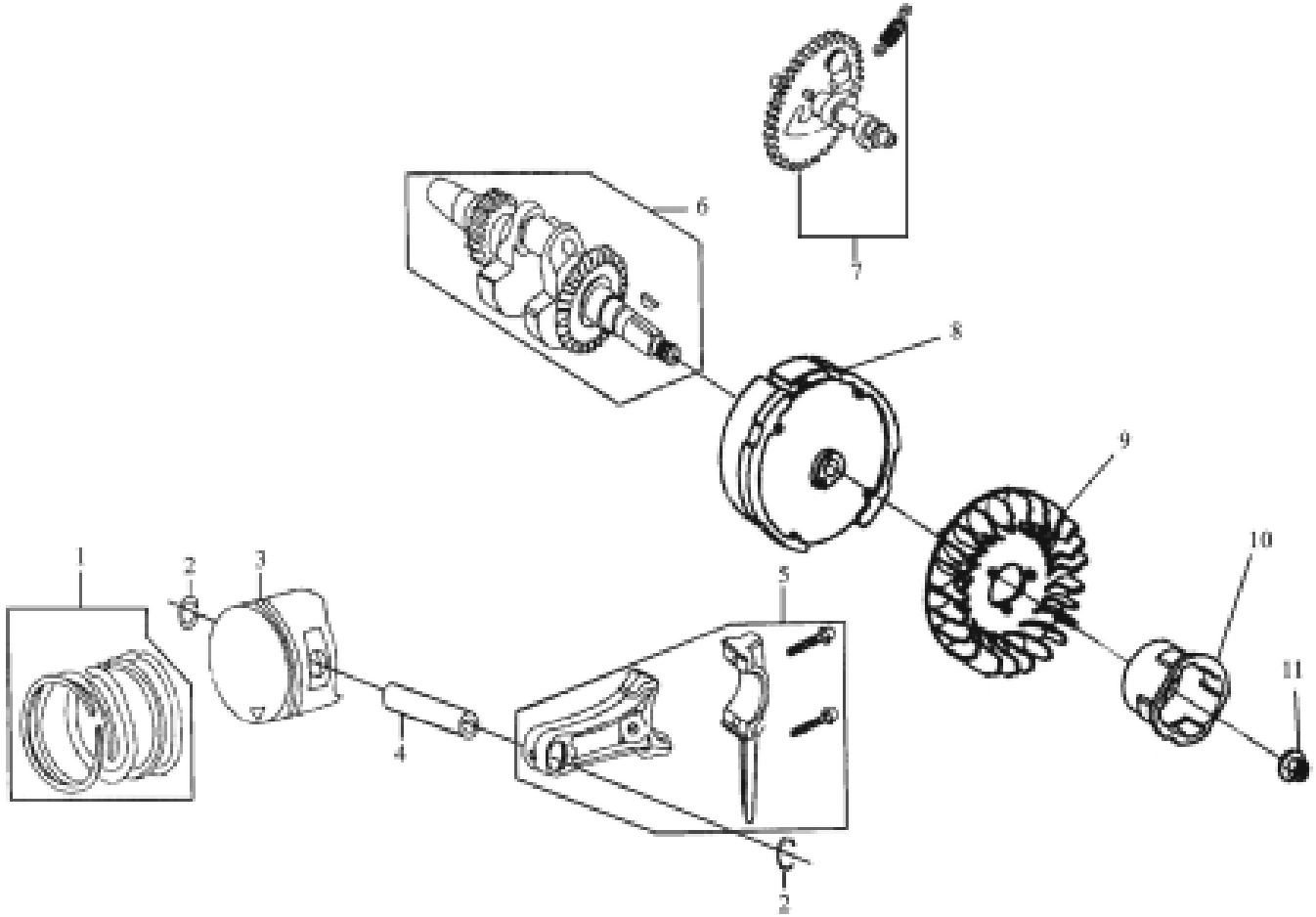
## 2. CYLINDER HEAD & CYLINDER HEAD COVER ASSY



	CODE	DESCRIPTION	QTY.	REMARK
	3S22060121	Bolt M6×12	6	
1	3A2002100	Cylinder head cover	1	
2	3A2002006	Gasket,cyl. head cover	1	
3	3A2002200	Valve rocket assy	1(2 units)	
4	3A2002008	Push guide	1	
5	3A2002009	Cap	1	
6	3A2002010	Exhaust spring seat	1	
7	3A2002011	Intake spring seat	1	
8	3A2002012	Valve spring	2	
9	3S22080601	Bolt M8×60	4	
10	3S25080341	Stud AM8×34	2	
11	3A2202017	Cylinder head assy	1	
12	3A2202018	Cylinder head gasket	1	
13	XA010016	Set pin	2	
14	3A2202019	Exhaust valve	1	
15	3A2202020	Intake valve	1	
16	3A2102022	Tappet	2	
17	3A2002023	Pusher	2	
18	3S25061121	Stud AM6×112	2	
19	3A2002024	Lead wind cover	1	
20	3A2002026	Oil seal, pipe	1	
21	3A2002027	Nylon, lining	2	
22				

## UP168-I(UP160)零部件配置表

### 3. CRANKSHAFT, PISTON, CONNECTING, CAMSHAFT ASSY & FLYWHEEL ASSY

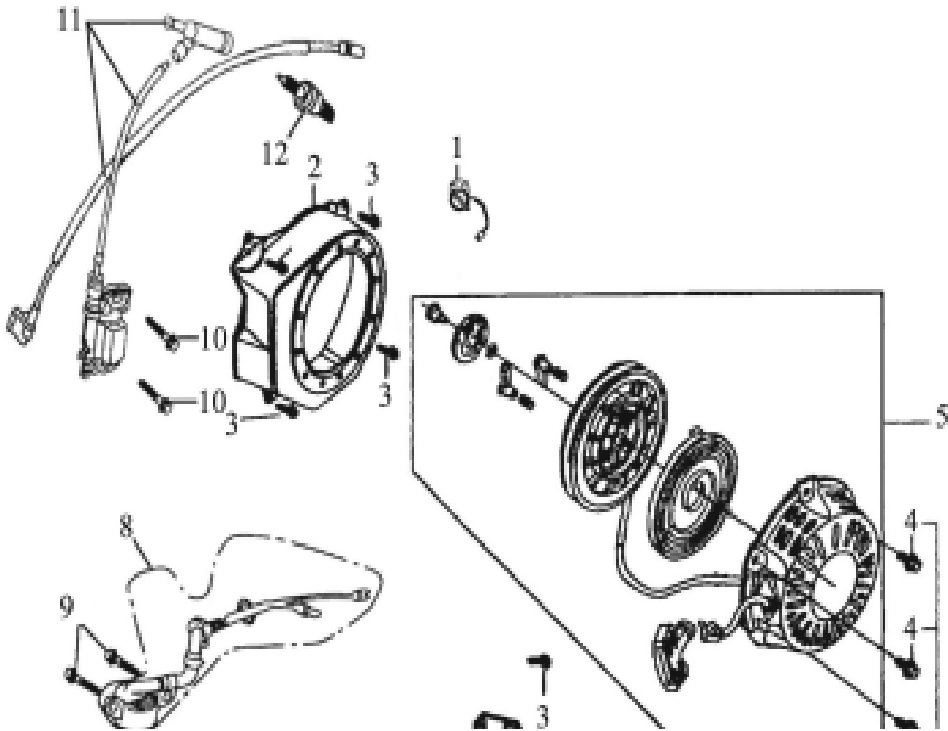


	CODE	DESCRIPTION	QTY.	REMARK
	3A2203100	Piston ring set	1	
1	3A2003002	Piston pin circlip	2	
2	3A2203003	piston	1	
3	3A2003004	Piston pin	1	
4	3A2003200	Connect rod assy	1	
5	3A2103300A	Cranshaft assy	1	
6	3A2103300B	Cranshaft assy		
	3A2103400A	Camshaft assy	1	
7	3A2003008	Flywheel	1	
8	3A2003009	Flywheel fan	1	
9	3A2003010A	Starting flange	1	
10	3A2003010A	Starting flange		
	3A2003011	Nut M14×1.5	1	
11				

# UP168-I(UP160)零部件配置表

# UP168-I(UP160)零部件配置表

## 4. RECOIL STRATER & IGNTION COIL ASSY



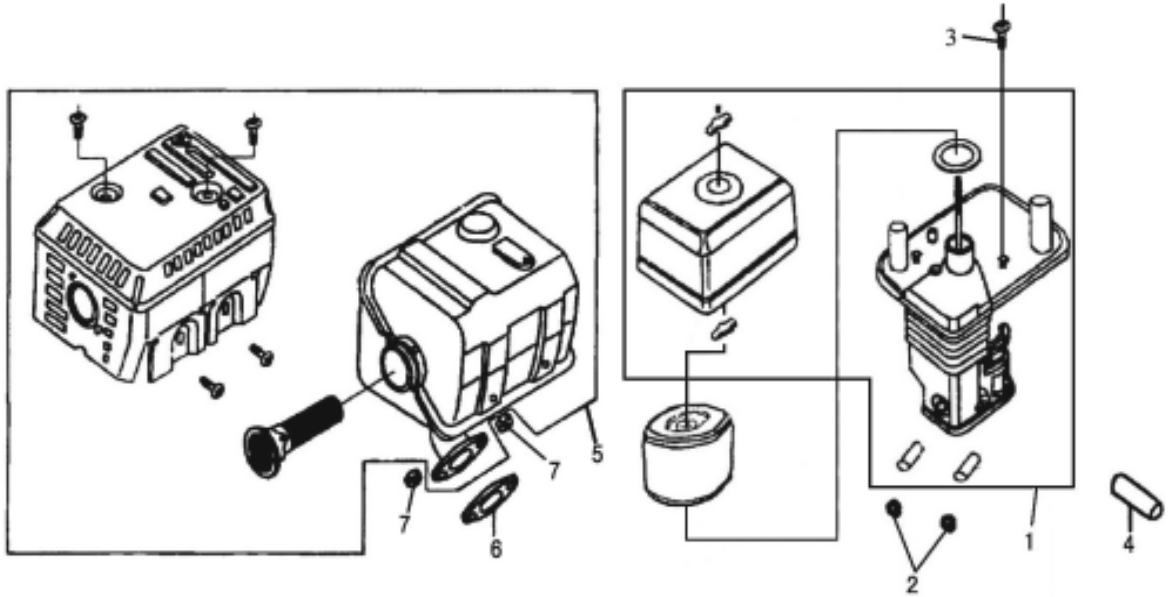
	CODE	DESCRIPTION	QTY.	REMARK
	3A2004001	Engine switch	1	
1	3A2004002	Fan hood	1	
2	3A2004002	Fan hood		
	3A2004002A	Fan hood		
	3A2004002B	Fan hood		
	3A2004002C	Fan hood		
	3A2004002D	Fan hood		
	3A2004002E	Fan hood		
	3A2004002F	Fan hood		
	3A2004002N	Fan hood		
	3A2004002P	Fan hood		
	3A2004002Q	Fan hood		
	3A2004002R	Fan hood		
	3A2004002S	Fan hood		
	3S22060121	Bolt M6×12	5	
3	3S22060081	Bolt M6×8	4	
4	3A2004100	Recoil starter assy	1	
5	3A2004100B	Recoil starter assy		

## UP168-I(UP160)零部件配置表

	3A2004100C	Recoil starter assy		
	3A2004100D	Recoil starter assy		
	3A2004100P	Recoil starter assy		
	3A2004100Q	Recoil starter assy		
	3A2004100R	Recoil starter assy		
	3A2004100S	Recoil starter assy		
	3A2004007	Shroad comp.	1	
6	3A2004007A	Shroad comp.		
	3A2004007B	Shroad comp.		
	3A2004008	Diode	1	
7	3A2004200	Oil sensor	1	
8	3S22060141	Bolt M6×14	2	
9	3S22060221	Bolt M6×22	2	
10	3A2004300	Ignition coil assy	1	
11	3A2004300A	Ignition coil assy		
	3A2004013	Spark plug F6RTCUC	1	
12				

# UP168-I(UP160)零部件配置表

## 5.AIR CLEANER ASSY & MUFFLER ASSY

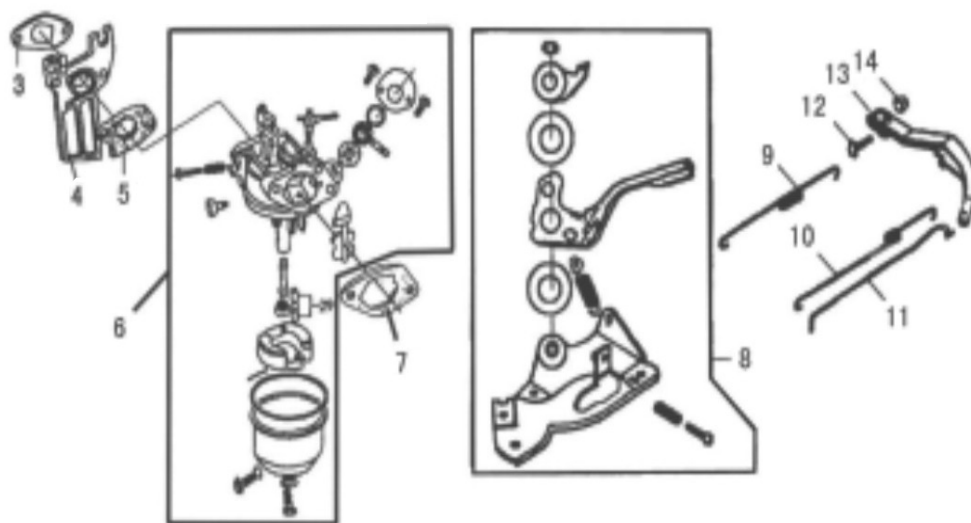


	CODE	DESCRIPTION	DESCRIPTION	QTY.	REMARK
	3A2005100A	Air cleaner assy	1		
1	3S12061	Nut M6	2		
2	3S22060221	Bolt M6×22	1		
3	3A1005004	Air duck	1		
4	3A2005200	Exhaust muffler assy	1		
5	3A2005200A	Exhaust muffler assy			
	3A2005200B	Exhaust muffler assy			
	3A2005007	Exhaust gasket	1		
6	3S12081	Nut M8	2		
7	3S31082	spring washer Φ8	2		
8	3S35082	washer Φ8	2		
9					



# UP168-I(UP160)零部件配置表

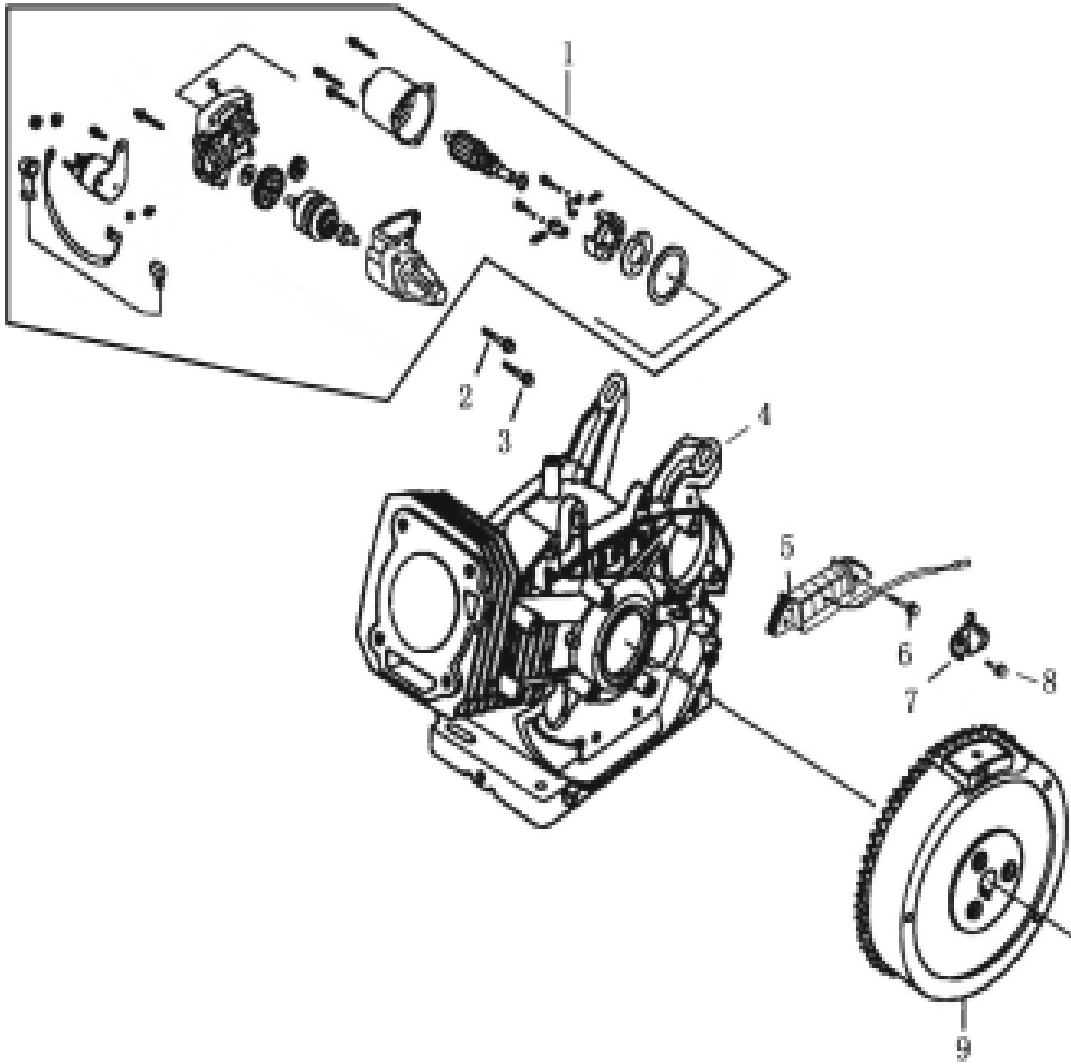
## 6. FUEL SUPPLY SYSTEM



	CODE	DESCRIPTION	QTY.	REMARK
	3A2006001	Pipe clamp	2	
3	3A2006011	Connecting block	1	
4	3A2006012	Carburetor gasket	1	
5	3A2206200	Carburetor assy	1	
6	3A2006014	Gasket,air cleaner	1	
7	3A2006300	Regulating control assy	1	
8	3A2006016B	Back spring	1	
9	3A2006017	Regulating spring	1	
10	3A2006018	Pulling rod	1	
11	3A2006019	Lock bolt	1	
12	3A2006019A	Lock bolt		
	3A2006020	Regulating arm	1	
13	3S12061	Nut M6	1	
14				

# UP168-I(UP160)零部件配置表

## 7. STARTER & GENERATOR ASSEMBLY



序号	CODE	DESCRIPTION	DESCRIPTION	QTY.	REMARK
	3A2007100	Starting motor assy	1		
1	3S22060281	Bolt M6×28	1		
2	3S22060322	Bolt M6×32	1		
3	3A2001004	Crankcase	1		
4	3A2007200	Charge coil	1		
5	3S22060352	Bolt M6×35	2		
6	3A2007007	Clamper, cord	1		
7	3S22060121	Bolt M6×12	2		
8	3A2007300	Flywheel	1		
9					