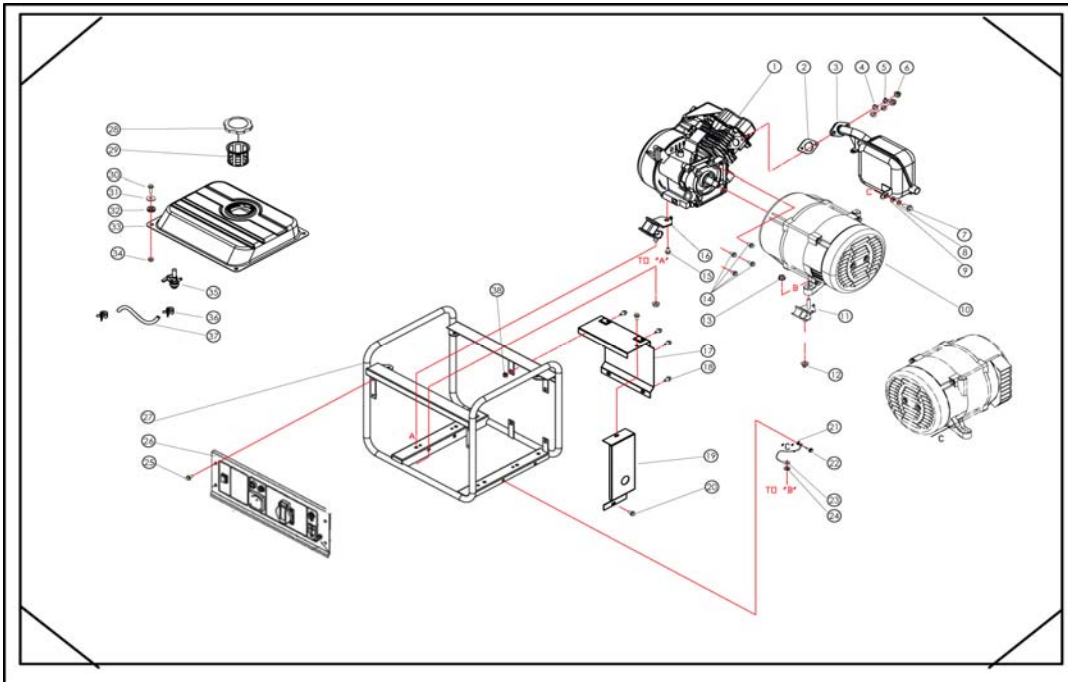


GG1300 Exploding View



	CODE	DESCRIPTION	DESCRIPTION	QTY.	MARK
1	2EP0902101		UP154 engine V2轴	1	
2	3A1005007		Exhaust gasket	1	
3	3C2115001		muffler	1	
	3C2115051		muffler (with flame arrester)		
	3C2115101		muffler (with catalyst)		
4	3S35081		φ8 washer	2	
5	3S31082		φ8 spring washer	2	
6	3S12081		M8 flange nut	2	
7	3S22080201		M8×20 flange bolt	1	
8	3S35081		φ8 spring washer	1	
9	3S31082		φ8 washer	1	
10			alternator	1	
11	3C3101A		shock absorber	2	
12	3S12081		M8 flange nut	4	
13	3S12081		M8 flange nut	2	
14	3S22080201		M8×20 flange bolt	4	
15	3S22080301		M8×30 flange bolt	1	
16	3C3104		shock absorber	2	
17	3C23007		muffler safeguard cover	1	
18	3S22060121		M6×12 flange bolt	5	
19	3C23008		muffler side hood	1	
20	3S22060121		M6×12 flange bolt	2	
21	3S39061		Gasket φ6	1	
22	3S22080121		flange bolt M8*12	1	
23	3C5230001		Grounding wire	1	
24	3S35061		gasket	2	
25	3S22060121		M6×12 flange bolt	4	
26	3MGG13		control panel assy	1	
27	3JGG13L		frame	1	
28	3C13002		fuel tank cup assembly	1	
29	3C13010		filter cup	1	
30	3S22060251		M6×25 flange bolt	4	
31	3S3606118		φ6×φ18 plain washer	4	
32	3C13008		shock absorber	4	
33	3C1106		6L fuel tank	1	
34	3S12061		Nut M6	4	
35	3C13005		fuel tank cock assembly	1	
36	3A2006001		clamp	2	
37	3B0111014		fuel pipe	1	
38	3S12061		Nut M6	6	