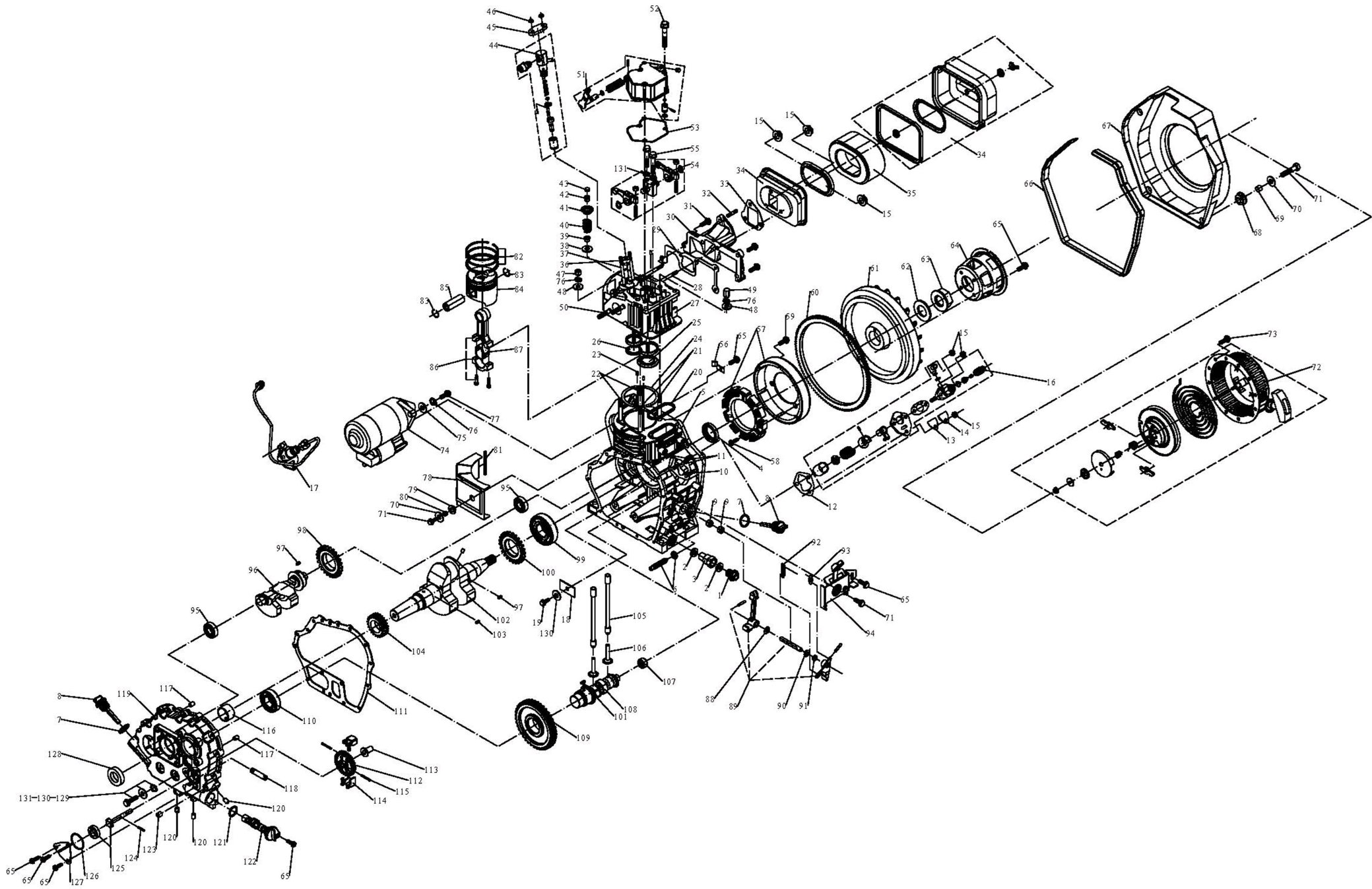


E+DC+B+W PARTY MARKETING genetator spare

No:051020000015

No.	CODE	DESCRIPTION	QTY.	REMARK
1	011030000051	UD186-51 diesel engine	1	
2	019990000103	rectifier	1	
3	515060601202	fillister head bolt M6X12	8	
4	029990000201	low oil pressure	1	
5	029049910400	exhaust gasket	1	
6	511050601401	flange bolt M6X14	3	
7	029043300001	muffler	1	
8	513010800001	flat washer Φ 8	9	
9	513020800000	spring washer Φ 8	9	
10	512040800001	flange nut M8	2	
11	3VDW050007	weld alternator	1	
12	511060803301	flange bolt M8X33.5	4	
13	513011000001	flat washer Φ 10	14	
14	513021000002	spring washer Φ 10	14	
15	512011000000	nut M10	18	
16	021030010000	combined foundation	1	
17	511141004001	full-thread bolt M10X40	6	
18	029910300401	shock absorber	4	
19	513020600002	spring washer Φ 6	4	
20	513010600001	flat washer Φ 6	4	
21	513030600000	external tooth lock washer Φ 6	1	
22	511050501603	flange bolt M8X12	2	
23	029930000801	grounding wire	1	
24	513030500000	external tooth lock washer Φ 5	2	
25	515010400802	fillister head bolt M4X8	4	
26	512010400002	nut M4	2	
27	515050300802	countersunk head bolt M3X8	4	
28	029990000502	electromagnet bracket	1	
29	029990000501	electromagnet	1	
30	029990000903	accelerograph line	1	
31	051020100041	frame	1	
32	051020200000	Wire fasten connection assembly	2	
33	513041000006	large flat washer Φ 10(h=3)	4	
34	029020660001	control panel assembly	1	
35	511050601201	flange bolt M6X12	8	
36	029960300100	Battery	1	
37	029960900301	battery fixed support	1	
38	029969900219	battery wire(black)	1	
39	029969900221	battery wire(red)	1	
40	029060100401	cover board	1	
41	029010200102	fuel tank	1	

42	029019930000	fuel marker assembly	1	
43	029019901102	fuel tank cup	1	
44	029019900601	filter cup	1	
45	511050602501	flange bolt M6X25	10	
46	513040600000	large flat washer Φ 6	16	
47	019990007800	bush	8	
48	019990008000	damping mat	8	
49	512070600000	blocking nut M6	2	
50	011010004300	diesel oil filter element	1	
51	019990009500	diesel oil filter element gasket	1	
52	029019920300	connection gasket B	1	
53	029019920400	connection gasket(metal)	1	
54	515010500802	fillister head bolt M5X8	3	
55	019990009400	fuel tank switch	1	
56	512040600001	flange nut M6	19	
57	029019900402	clamp Φ 13	2	
58	029019900200	fuel pipe Φ 7.5	0.3	
59	029019900401	clamp Φ 8	2	
60	029019900100	fuel pipe Φ 4.5	0.4	
61	029050290004	pin	2	
62	029970000502	wheel	2	
63	029050100401	axle	2	
64	029050101501	axle bushing	1	
65	029050100201	rubber support	2	
66	029050100701	handle cover	2	
67	029050120001	handle	2	
68	511050604501	flange bolt M6X45	2	
69	029050100501	fixed pipe	2	
70	029050100601	rotational pipe	2	
71	019990000200	rectifier bracket	1	
72	511050802001	flange bolt M8X20	2	
73	512030600002	nut M6	2	
74	513031000000	external tooth lock washer Φ 10	1	
75	513020500000	spring washer Φ 5	2	
76	513010500001	flat washer Φ 5	2	
77	511050603001	flange bolt M6X30	2	
78	511050601601	flange bolt M6X16	1	
79	511050801601	flange bolt M8X16	1	
80	051020000200	current divider bracket	1	
81	051020000500	epoxy board-2	4	
82	051020000400	epoxy board	2	
83	051020000300	weld cable	1	



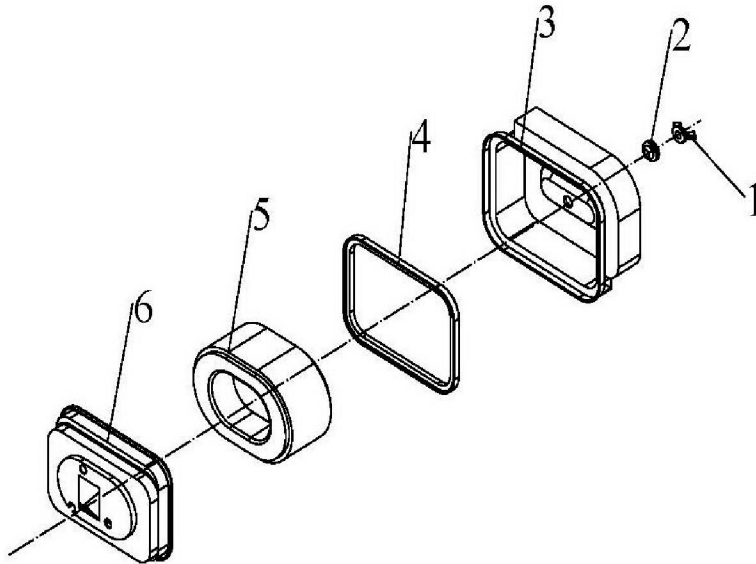
UD186 engine spare parts list

No:01103000021

No.	CODE	DESCRIPTION	QTY.	REMARK
1	019990007000	Oil drain bolt	1	
2	019990007100	Oil drain bolt washer	2	
3	029990000102	Oil drain pipe	1	
4	522010101102	Oil sealing B3550	1	
5	011030000100	Crankcase	1	
6	011030000200	Fuel capacity controller	1	
7	523010100300	O-type ring 26X3.55G	2	
8	019990007900	Oil distick	2	
9	521030100101	Needle bearing 7941/8	2	
10	019990007200	Fuel injection pump studs (short)	1	
11	019990007300	Fuel injection pump studs (long)	2	
12	019990007400	Fuel injection pump gasket	1	
13	019990007500	Fuel injection pump sealing board gasket	1	
14	019990007600	Fuel injection pump sealing board	1	
15	512040600002	Tooth flange nut M6	6	
16	011030510000	Fuel injection pump assy (used in generator)	1	
17	011030004700	High pressure fuel pipe	1	
18	019990007700	Thrust pad	1	
19	511050801203	Bolt M8X12	1	
20	011030000400	Cylinderhead sealing	1	
21	011030005401	Cylinderhead studs (long)	2	
22	011030005001	Cylinderhead studs (short)	2	
23	514010400800	Pin 4X8	4	
24	011030000300	Cylinderhead gasket	1	
25	011030001100	Inlet valve	1	
26	011030001200	Outlet valve	1	
27	011030001000	Cylinderhead	1	
28	516030607503	Stud M6X75	2	
29	011030000900	Inlet gasket	1	
30	011030004100	Inlet pipe	1	
31	511050602803	Bolt M6X28	3	
32	019990008700	Air cleaner bolt	1	
33	011030004000	Air filter gasket	1	
34	011030004200	Air filter shell	1	
35	011030004300	Air filter	1	
36	019990008500	Insulation cladding	1	
37	516030605503	Stud M6X55	2	
38	011030001400	Valve spring washer	2	
39	522010101401	Oil sealing B0711	1	
40	011030001500	Valve spring	2	
41	011030001600	Valve spring seat	2	

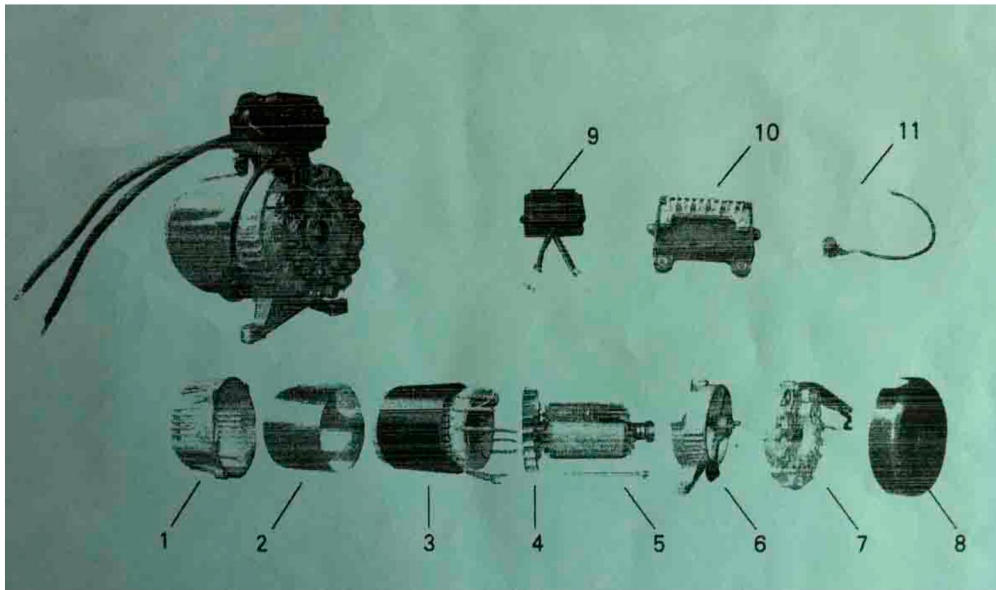
42	011030001900	Valve lock clamps	2	
43	011030001800	Valve adjust cushion block	2	
44	019990010100	Fuel injector	1	
45	019990008300	Fuel injector platen	1	
46	512030600002	Nut M6	2	
47	011030005300	Cylinder head nut (long)	2	
48	011030005100	Cylinder head nut washer	4	
49	011030005200	Cylinder head nut (short)	2	
50	516030802003	Stud M8X20	2	
51	011030002000	Cylinder head cover	1	
52	511050607003	Bolt M6X70	3	
53	011030002100	Cylinder head cover gasket	1	
54	011030100000	Rocker arm	1	
55	511050805003	Rocker arm bolt M8X50	2	
56	019990010600	Wire platen	1	
57	019990010500	Flywheel generator	1	
58	515050601203	Screw M6X12	3	
59	511050601803	Bolt M6X18	3	
60	011030003100	Flywheel gear	1	
61	011030003200	Flywheel	1	
62	011030003300	Flywheel nut washer	1	
63	011030003400	Flywheel nut	1	
64	011030003500	Starting flange	1	
65	511050601203	Bolt M6X12	10	
66	019990010200	Wind hood shock pad	0.14	
67	011030004901	Wind hood (black)	1	
68	019990010300	Wind hood shockcover	4	
69	019990010400	Bushing 10×10	4	
70	513040600002	Washer 6	5	
71	511050602203	Bolt M6X22	6	
72	011030500001	Recoil starter assy (black)	1	
73	511050600803	Bolt M6X8	4	
74	019990010700	Electronic starter	1	
75	513011000002	Washer 10	2	
76	513021000002	Easticity washer 10	6	
77	511051003503	Bolt M10X35	2	
78	011030000600	Wind board	1	
79	019990008000	Wind board shock pad	1	
80	019990007800	Wind board bushing	1	
81	019990008100	Wind board shock strip	1	
82	011030200000	Piston ring set	1	
83	518042300000	Piston pin circlip 23	2	
84	011030002200	Piston	1	
85	011030002300	Piston pin	1	
86	011030002400	Connect rod assy	1	

87	011030002500	Connect rod bearing	1	
88	011030006102	Fork shaft washer 1.5mm	1	
89	011030005800	Fork assy	1	
90	011030006101	Fork shaft washer 1.0mm	1	
91	522010101301	Oil sealing B0814	1	
92	011030005900	Speed governing spring	1	
93	019990011400	Reset spring	1	
94	019990011500	Speed governing assy	1	
95	521010010701	Bearing 6203	2	
96	011030002600	Balance shaft	1	
97	519010100500	Flat key 5X5X7	2	
98	011030002700	Balance gear	1	
99	521010011101	Bearing 6308	1	
100	011030003000	Balance shaft transmission gear	1	
101	519010100700	Flat key 5X5X14	2	
102	011030002901	Crankshaft V1	1	
103	519010100600	Flat key 5X5X12	1	
104	011030002800	Crankshaft timing gear	1	
105	011030003600	valve tappet	2	
106	011030003700	valve lifter	2	
107	521030100201		1	
108	011030003900	Camshaft	1	
109	011030003800	Camshaft timing gear	1	
110	521010010301	Bearing 6207	1	
111	011030000700	Crankcase cover gasket	1	
112	019990008900	Oil pump gear	1	
113	019990011100	Speed governing push dish	1	
114	019990010900	Flying hammer	2	
115	019990010800	Flying hammer pin	2	
116	011030005500	Sliding bearing	1	
117	514010801200	Pin8X12	2	
118	019990009100	Oil absorption pipe	1	
119	011030000800	Crankcase cover	1	
120	019990008200	Aluminum end cap ϕ 8	3	
121	523010100500	O ring 25 \times 2.4G	1	
122	019990009000	Oil filter	1	
123	011030005600	Inside hexagonal screw	1	
124	514010301600	Pin 4X8 3X16	1	
125	011030004400	Oil pump	1	
126	523010100400	O ring 34.5 \times 1.8G	1	
127	019990008800	Oil pump cover	1	
128	522010101201	Oil sealing B3550	1	
129	511050803803	Bolt M8X38	16	
130	513010800002	Washer 8	19	
131	513020800002	Easticity washer 8	18	



No.	CODE	DESCRIPTION	QTY.
1	512020800001	Nut A (M8)	1
2	011031100101	Filter fastener	1
3	011031100201	Filter front cover	1
4	011031100301	Seal Ring	2
5	011030004300	Air Filter Element	1
6	011031100401	Filter back cover	1

DW190AE Welding Alternator Exploded diagram



DW190AE Welding Alternator spare parts list

DW190AE Welding Alternator spare parts list					
No.:					
	CODE	DESCRIPTION	DESCRIPTION	QTY.	REMARK
1	029030200600		Front cover	1	
2	029030102900		protection board	1	
3	062026530015		Welding stator assembly	1	
4	062026520012		welding rotor assembly	1	
5	051020000600		Bolt	1	
6	029030430901		end cover	1	
7	051020000700		regulator block	1	
8	029030300500		rear cover	1	
9	029030620700		AVR (welding)	1	
10	051020000700		connection box	1	
11	051020000800		potentiometer	1	