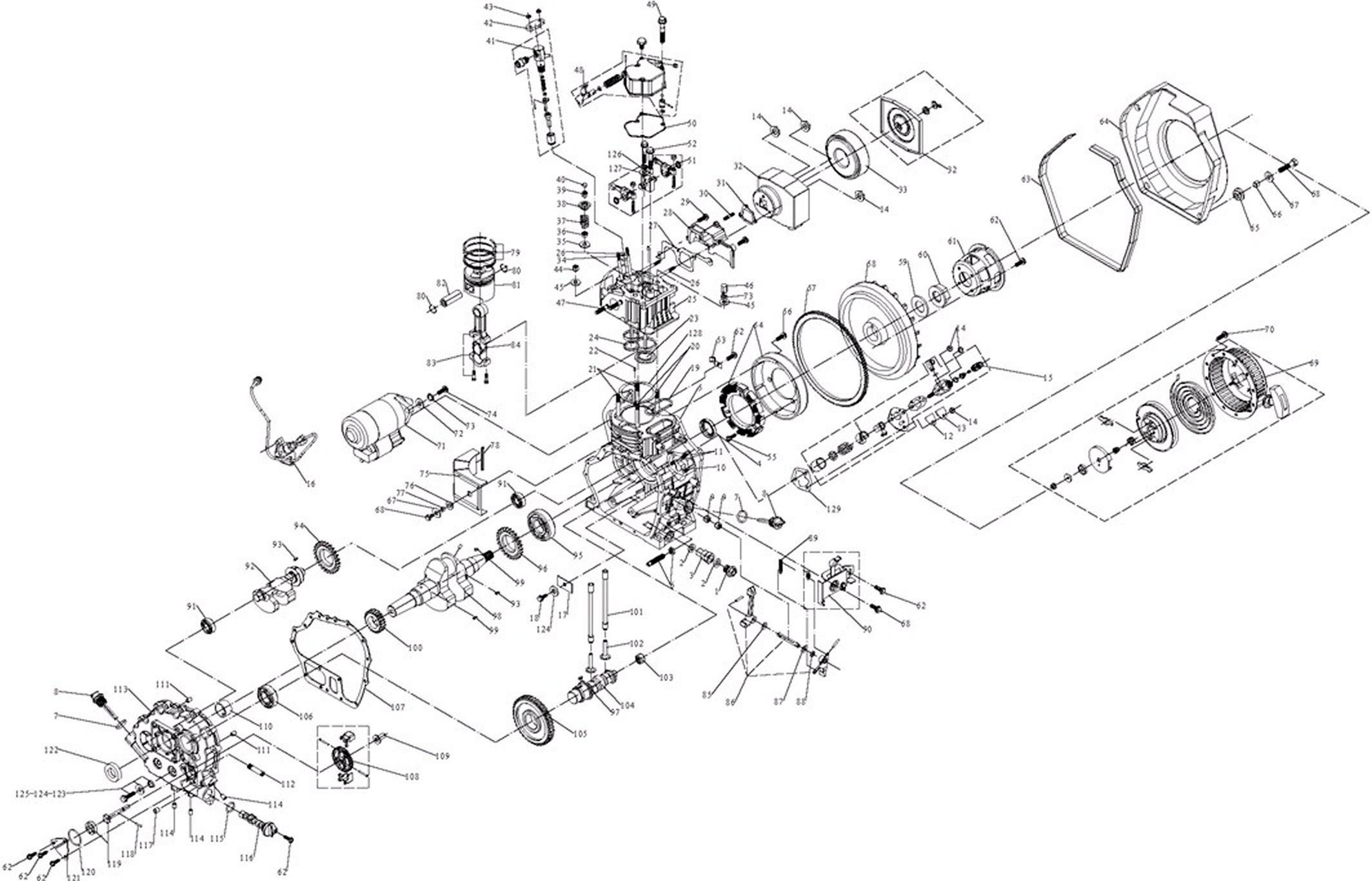


## DG3600E+B+W DIESEL GENERATOR SPARE PARTS LIST

NO.	CODE	DESCRIPTION	QTY.	REMARK
1	01102000021	UD178 diesel engine	1	
2	029049910300	exhaust gasket	1	
3	029043200001	muffler	1	
4	511050802001	flange bolt M8X20	2	
5	513010800001	flat washer Φ8	6	
6	513020800002	spring washer Φ8	6	
7	512040800001	flange nut M8	2	
8	019990000101	rectifier	1	
9	019990000200	rectifier bracket	1	
10	029990000201	low oil pressure annunciator	1	
11	029030200303	alternator front cover	1	
12	511060803301	flange bolt M8X33.5	4	
13	062024320002	rotor assembly	1	
14	513041000006	large flat washer Φ10 (h=3mm)	1	
15	511011024501	rotor bolt M10X245	1	
16	062024330001	stator assembly	1	
17	029030101800	protection board	1	
18	029030430700	alternator end cover	1	
19	513020600002	spring washer Φ6	5	
20	511050615501	flange bolt M6X155	4	
21	511050501601	flange bolt M5X16	6	
22	513020500000	spring washer Φ5	4	
23	513010500001	flat washer Φ5	6	
24	513030500000	external tooth lock washer Φ5	2	
25	029030500101	connection pole	1	
26	511140502000	full-thread bolt M5X20	2	
27	512010500001	nut M5	4	
28	029030700200	carbon brush	1	
29	029030620201	5KW AVR	1	
30	029030300314	rear cover	1	
31	511050501201	flange bolt M5X12	3	
32	513011000001	flat washer Φ10	14	
33	513021000002	spring washer Φ10	15	
34	512011000000	nut M10	14	
35	021020010000	combined foundation	1	
36	511141004001	full-thread bolt M10X40	6	
37	515050300802	countersunk head bolt M3X8	4	
38	029990000502	electromagnet bracket	1	
39	029990000501	electromagnet	1	
40	029990000903	accelerograph rope	1	
41	021020300001	frame	1	
42	029910300401	shock absorber	4	
43	029930000801	grounding wire	1	
44	513030600000	external tooth lock washer Φ6	1	
45	512040600001	flange nut M6	18	
46	515010400802	fillister head bolt M4X8	4	
47	512010400002	nut M4	2	
48	513010600001	flat washer Φ6	1	
49	511050601401	flange bolt M6X14	1	
50	029050100202	rubber prop	2	
51	029969910201	battery bracket assembly	1	
52	511050801201	flange bolt M8X12	1	
53	511050601201	flange bolt M6X12	1	
54	512020600002	butterfly nut M6	2	
55	029960900701	battery fixed support	1	
56	029969900301	screw thread clasp	2	

57	029960300100	battery	1	
58	029969900219	battery wire(black)	1	
59	029969900221	battery wire(red)	1	
60	029050290004	bolt	2	
61	029970000502	wheel(eccentricity)	2	
62	029050100401	axle	2	
63	029050102901	axle bushing	1	
64	029026000060	control panel assembly	1	
65	515010601202	fillister head bolt M6X12	8	
66	029050100601	rotational bushing	1	
67	511050604501	flange bolt M6X45	1	
68	029050100501	fixed bushing	1	
69	512070600000	locknut M6	1	
70	029050110001	handle	1	
71	029050100701	handle sheath	1	
72	511050602501	flange bolt M6X25	10	
73	513040600000	large flat washer $\Phi$ 6	10	
74	019990007800	bush	8	
75	019990008000	damping mat	8	
76	029060100208	cover	1	
77	029019901102	fuel tank cup	1	
78	029019900601	filter cup	1	
79	029019930000	fuel marker assembly	1	
80	029010200105	fuel tank	1	
81	011010004300	diesel oil filter element	1	
82	019990009500	diesel oil filter element gasket	1	
83	029019920300	connection gasket B	1	
84	029019920400	connection gasket(metal)	1	
85	515010500802	fillister head bolt M5X8	3	
86	019990009400	fuel tank switch	1	
87	029019900402	clamp $\Phi$ 13	2	
88	029019900200	fuel pipe $\Phi$ 7.5	0.3	
89	029019900401	clamp $\Phi$ 8	2	
90	029019900100	fuel pipe $\Phi$ 4.5	0.4	



## UD178-21 engine spare parts list

NO.:01102000021

NO.	CODE	DESCRIPTION	QTY.	REMARK
1	019990007000	Whorl stuff	1	
2	019990007100	Whorl stuff gasket	2	
3	029990000101	Oil pipe	1	
4	522010100801	Oil seal	1	
5	011020000100	Crankcase	1	
6	019990011800	Gas tontrol	1	
7	523010100300	O-ring 26*3.5G	2	
8	019990007900	Oil dipstick	2	
9	521030100101	bearing 7941/8	2	
10	019990007200	Stud plate(short)	1	
11	019990007300	Stud plate(long)	2	
12	019990007500	Fuel injection pump gasket	1	
13	019990007600	Seal plate	1	
14	512040600002	Nut M6	6	
15	019990012900	Fuel injection pump assy	1	
16	011020004400	Fuel injection pipe assem	1	
17	019990007700	Retainer	1	
18	511050801203	Bolt M8*12	1	
19	011020000800	O-ring 4.9*4.26*2.3	1	
20	011020000700	Cylinder head stud(long122)	2	
21	011020000200	Cylinder head stud(shot109)	2	
22	514010400800	Pin 4*8	4	
23	011020001700	Exhaust valve	1	
24	011020001800	Intake valve	1	
25	011020001600	Cylinder head	1	
26	516030605503	Stud M6*75	4	
27	011020001500	Air intake gasket	1	
28	011020004000	Intake pipe	1	
29	511050602803	BoltM6*28	2	
30	019990008700	Air cleaner bolt	1	
31	019990012300	Air cleaner gasket	1	
32	019990012400	Air cleaner Bottom case assem	1	
33	019990012500	Air cleaner Element	1	
34	019990008500	Spacer	1	
35	019990012000	Valve spring waser	2	
36	522010101501	Oil seal	1	
37	011020001900	Valve spring	2	
38	011020002000	Valve spring set	2	
39	011020002200	Cotter	2	
40	011020002100	Valve adjusting plate	2	
41	019990010100	Fuel nozzie assembly	1	
42	019990008300	Nozzle retainer	1	
43	512030600002	Nut M6	2	
44	011020000600	Cylinder head Nut(long)	2	
45	011020000300	Waser	4	
46	011020000400	Cylinder head Nut(short)	2	
47	516030802003	Stud M8*20	2	

48	019990012100	Cylinder head cover assy	1
49	511050605503	Bolt M6*70	3
50	019990012200	Cylinder head cover gaster	1
51	011020100000	Rocker arm	1
52	511050604503	Nut M8*50	2
53	019990010600	Pressure plate	1
54	019990010500	Fly wheel dynamo	1
55	515050601203	Bolt M6*12	3
56	511050601803	Bolt M6*18	3
57	011020003100	Fly wheel gear	1
58	011020003200	Fly wheel	1
59	011020003300	Fly wheel waser	1
60	011020003400	Fly wheel nut	1
61	011020003500	Start hook	1
62	511050601203	Bolt M6*12	9
63	019990010200	Shock absorber seat	0,14
64	011020004703	Fan case welded assem	1
65	019990010300	Shock absorber	5
66	019990010400	Collar	5
67	513040600002	Waser C6	6
68	511050602203	Bolt M6*22	6
69	011020004602	Start motor	1
70	511050600803	Bolt M6*8	4
71	019990010700	Start motor	1
72	513011000002	Waser C10	2
73	513021000002	Waser C10	2
74	511051003503	Bolt M10*35	2
75	011020001000	Air gover	1
76	019990008000	Shock absorber	1
77	019990007800	Air gover collar	1
78	019990008100	Air gover collar seat	1
79	011020200000	Piston ring	1
80	518042100000	Piston pin clip	2
81	011020002300	Piston	1
82	011020002400	Piston pin	1
83	011020300000	Connecting rod	1
84	011020002500	Crank pin Bearing	1
85	011030006102	Waser 1.5mm	1
86	011020400000	Lever fork	1
87	011030006101	Waser 1.0mm	1
88	522010101301	Oil seal	1
89	019990012800	Governor spring	1
90	019990011400	Return spring	1
91	019990011500	Control handle	1
92	521010010601	Bearing	2
93	011020002600	Balancer shaft	1
94	519010100500	Key 5*5*7	2
95	011020002700	Balancer gear	1
96	521010011001	Bearing 60000 40	1
97	011020003000	Balancer gear	1
98	519010100300	Key 5*5*14	1
99	011020002901	Camshaft	1
100	519010100600	Key5*5*12	2
101	011020002800	Crank shaft timing gear	1
102	011020003600	valve rod	2
103	011010003700	Valve tappet	2

104	521030100201	Bearing 37941/15	1
105	011020003900	Camshaft	1
106	11020003800	Camshaft timing Gear	1
107	521010010401	Bearing 60000 35	1
108	11020001100	Crank case gasket	1
109	19990008900	Oil pump gear	1
110	19990011100	Tappet	1
111	19990010900	Fly block	2
112	19990010800	Fly block Pim	2
113	11020001200	bear	1
114	514010801200	pin 8*12	2
115	19990009100	Intake pipe	1
116	11020001300	Crank case cover	1
117	19990008200	Plunger	3
118	523010100500	O-ring 25*2.4G	1
119	19990009000	Oil filter	1
120	011030005600	whorl stuff	1
121	514010301600	Pin 3*16	1
122	019990012600	Oil pump assm	1
123	523010100400	O-ring 34.5*1.8G	1
124	019990008800	Oil pump cover	1
125	522010100901	Oil seal	1
126	511050803803	Bolt M8*38	15
127	513010800002	Washer 8	19
128	513020800002	Washer 8	15
129	513020600002	Washer 6	2
130	513010600002	Washer 6	2