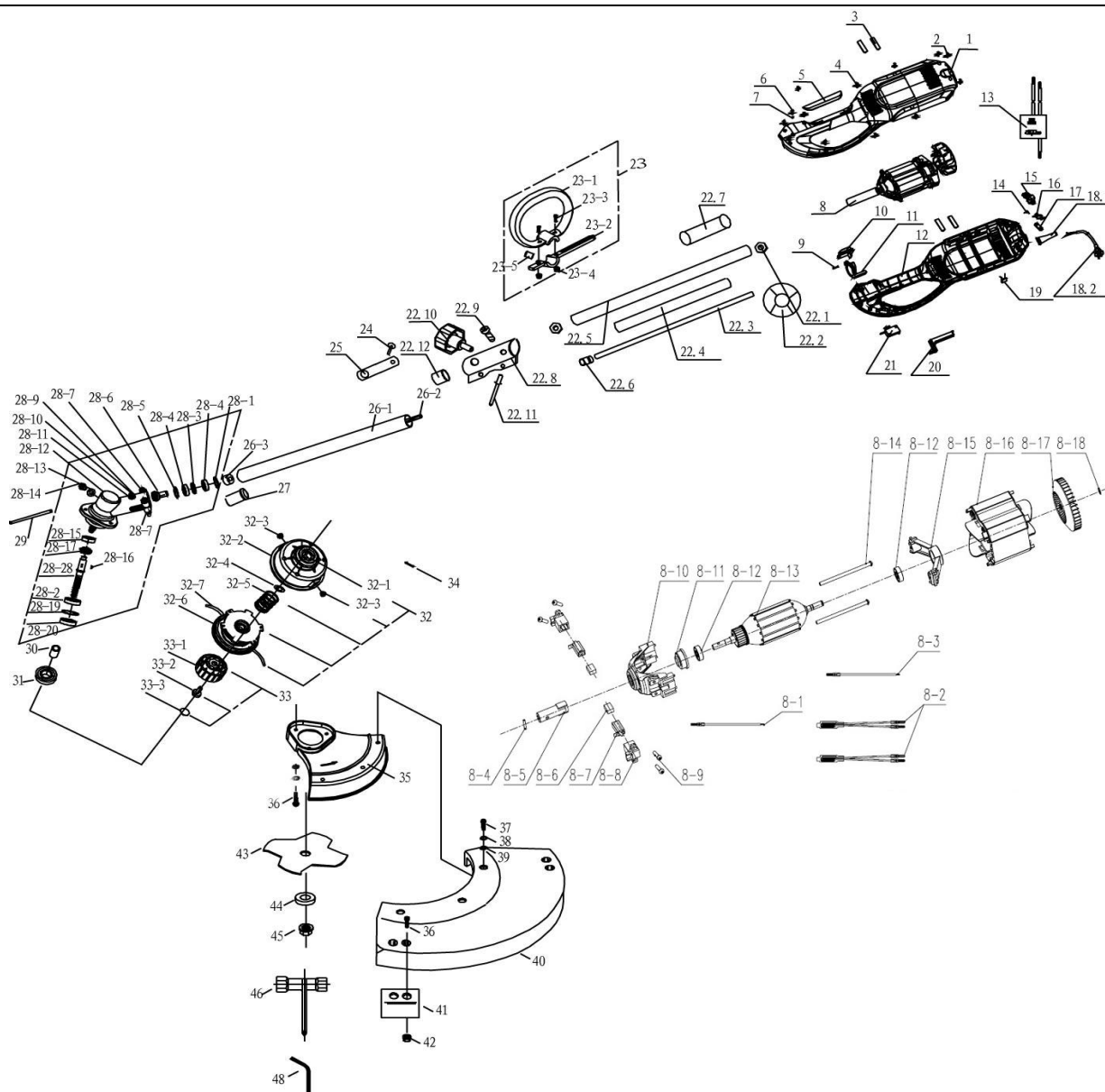


| № | Артикул | Наименование | К-во | № | Артикул | Наименование | К-во |
|------|--------------------|-------------------------|------|------|--------------------|--------------------------------|------|
| 1 | PR8006-691502-01ZU | right housing | 1 | 8-18 | R8CC-60B | Cotter | 1 |
| 2 | R8SJAB30-14B | self-tapping screw 3*14 | 1 | 9 | R8342-533603 | compression spring | 1 |
| 3 | R8341-691101 | shock pad | 4 | 10 | R8312-691501RI | push button | 1 |
| 4 | 8SJAB40-18B | self-tapping screw 4*18 | 10 | 11 | R8204-691501 | limited block | 1 |
| 5 | R8005-691501 | soft grip | 1 | 12 | PR8006-691501-01ZU | left housing | 1 |
| 6 | 8SJAB50-10B | self-tapping screw 5*10 | 1 | 14 | R8342-691104 | torsion spring | 1 |
| 7 | 8WF-04B-0801 | washer | 1 | 15 | R8343-691101 | wire holder | 1 |
| 8 | PR8401-691507 | motor module | 1 | 16 | 8SJAB40-14B | self-tapping screw 4*14 | 2 |
| 8-1 | PR8413-691501 | Connecting wire 1 | 1 | 17 | R8184-302201 | cable pressboard | 1 |
| 8-2 | PR8413-691505 | Connecting wire 5 | 2 | 18 | R8440-691502 | electrical wire module | 1 |
| 8-3 | PR8413-691502 | Connecting wire 2 | 1 | 18.1 | R8332-532401 | cable sheath | 1 |
| 8-4 | R9PB30-18B | Pin | 1 | 18.2 | R8422-691501 | power wire | 1 |
| 8-5 | PR8081-691103WA | Connecting shaft | 1 | 19 | R8416-691501 | capacitance | 1 |
| 8-6 | R8406-691503 | Carbon brush | 2 | 20 | R8044-691501RI | switch trigger | 1 |
| 8-7 | R8409-692202 | Brush holder | 2 | 21 | R8042-522501 | microswitch | 1 |
| 8-8 | PR8409-692201-01SB | Brush frame | 2 | 22 | R8440-691504 | rear connection pipe module | 1 |
| 8-9 | R8SJGN04-12B | Combination screw 4*12 | 4 | 22.1 | R8201-691101 | retaining ring | 2 |
| 8-10 | R8021-691503 | Front support | 1 | 22.2 | R9325-903102 | orientation block | 1 |
| 8-11 | PR8333-691501 | Bearing sleeve | 1 | 22.3 | R9089-691506 | rear flexible shaft | 1 |
| 8-12 | RBC-220807-ST03 | 608 Bearing | 2 | 22.4 | R8061-691203 | limited block (ascending pipe) | 1 |
| 8-13 | R8402-691508 | Rotor | 1 | 22.5 | R8061-691201 | rear connection pipe | 1 |
| 8-14 | R8SJAD05-80D | Machine screw 5*80 | 2 | 22.6 | R8065-691201 | connection | 1 |
| 8-15 | R8021-691502 | Rear support | 1 | 22.7 | R8331-691502 | handle sheath | 1 |
| 8-16 | R8405-691501 | Stator | 1 | 22.8 | R8440-691202-02 | pipe joint | 1 |
| 8-17 | PR8403-691501 | Wind wheel | 1 | 22.9 | R8SACD06-12B | hex screw 6*12 | 1 |



| № | Артикул | Наименование | К-во | № | Артикул | Наименование | К-во |
|-------|------------------|----------------------|------|-------|------------------|-----------------------|------|
| 22.10 | R8313-691501 | knob | 1 | 28-9 | 8SJGD05-12D | screw 5*12 | 1 |
| 22.11 | R8RE03-04N | rivet | 1 | 28-10 | R8208-903101 | washer | 3 |
| 22.12 | R8204-691201 | hoop | 1 | 28-11 | R9202-903102 | washer | 1 |
| 23 | R9440-923145 | P-handle module | 1 | 28-12 | R9146-903101U | gear shaft box | 1 |
| 23.1 | R9003-923107-01 | P-handle | 1 | 28-13 | R8208-903101 | gasket | 1 |
| 23.2 | R9186-923102 | lower fix pressboard | 1 | 28-14 | R9SFD08-10D | screw 8*10 | 1 |
| 23.3 | R8SJGD05-20B | screw 5*20 | 2 | 28-15 | R9BB-321509-ST03 | bearing | 1 |
| 23.4 | R8NA-05B | nut M8 | 2 | 28-16 | R9205-903101 | woodruff key | 1 |
| 23.5 | R9065-903101 | sleeve | 1 | 28-17 | R9123-903101 | bevel gear | 1 |
| 24 | R8RE03-04N | rivet | 1 | 28-18 | R9085-903101 | output shaft | 1 |
| 25 | R8324-691201 | reed | 1 | 28-19 | R8CA-22B | bore retaining ring | 1 |
| 26 | R9440-691518 | front shaft ass'y | 1 | 28-20 | R9200-903101 | oil seal | 1 |
| 26-1 | R9440-691519 | front shaft module | 1 | 29 | R8441-691501 | round bar | 1 |
| 26-2 | R9089-691501 | front soft shaft | 1 | 30 | R9334-903101 | shaft sleeve | 1 |
| 26-3 | R8281-691508 | flexible shaft clip | 1 | 31 | R9204-903101 | collar | 1 |
| 27 | R8065-691201 | joint | 1 | 32 | R9440-903111 | spool unit assemblage | 1 |
| 28 | R9440-903108 | gear shaft module | 1 | 32-1 | R9207-903101 | nut | 1 |
| 28-1 | R8CA-32B | bore retaining ring | 1 | 32-2 | R9140-903101SB | cutting head hub | 1 |
| 28-2 | R9BB-321509-ST03 | bearing | 1 | 32-3 | R9213-923101 | rivet | 2 |
| 28-3 | R9202-903102 | backup plate | 1 | 32-4 | R9213-903101 | jump spring | 1 |
| 28-4 | R9BB-321509-ST03 | bearing | 2 | 32-5 | R8342-533603 | spring | 1 |
| 28-5 | R9CD-10B | C-retaining ring | 1 | 32-6 | R9440-903106 | bump spool module | 1 |
| 28-6 | R9123-903102 | spiral gear | 1 | 32-7 | R9370-903101 | nylon line | 1 |
| 28-7 | R8SJGD05-20B | screw | 2 | 33 | C5089 | knob unit assemblage | 1 |
| 28-8 | R8NG-05D | nylon nut | 2 | 33-1 | R8313-903101 | knob | 1 |

